

RAIN BIRD.

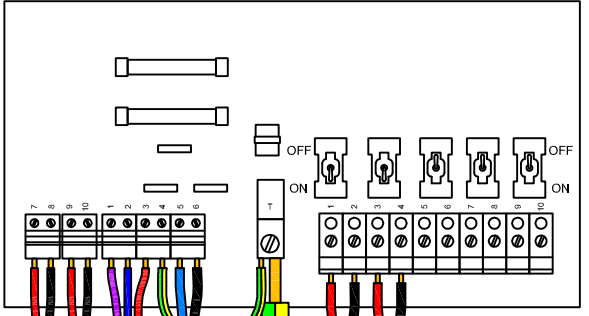
LDI

- POWER
- DATA ← PC
- DATA → PC
- FIELD

ON
OFF

Large Decoder Interface

LTB 300



RAIN SENSOR
ALARM SENSOR

LINE 1

LINE 2

PC COMMUNICATION
RS232-DB9

WATERPROOF CONNECTION

SYSTEM GROUND

MGP-1

MSP-1

Grounding Rod

WATERPROOF CONNECTION

LINE 1
LINE 2

COMPUTER

Power Supply

RS 232 Connection

MAIN POWER SUPPLY
230V AC

MAINS PROTECTION

OUT IN
GROUND

MAINS GROUND ROD

**LDI + LTB-300
WIRING**

POWER SUPPLY
24 V AC

24 V AC

TRANSFORMER
230/24 V AC

230 V AC

Socket
Outlet