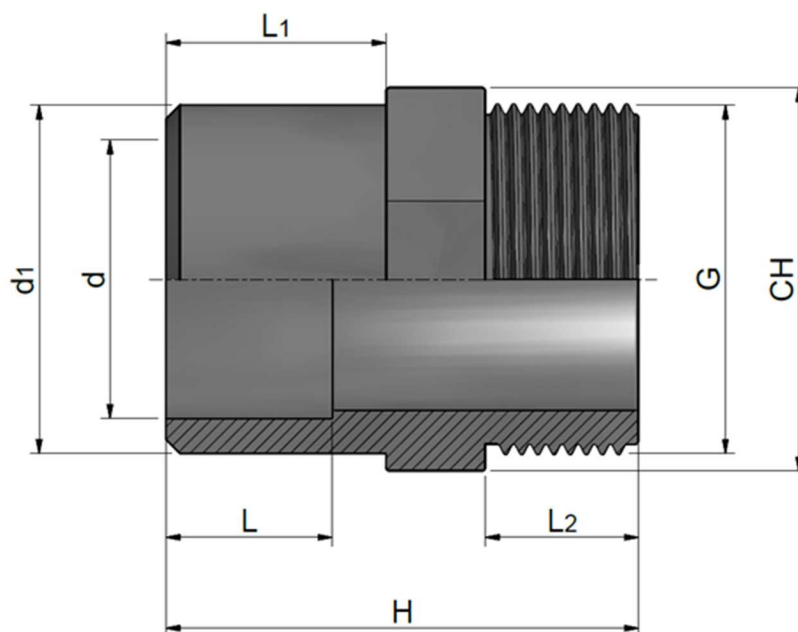


# PVC-U Adaptor fittings, BS - BSPP

## PVC-U Raccordi di passaggio, BS - BSPP

### MALE ADAPTOR ADATTATORE MASCHIO

Rev. Aug 2019



Code	d	d1	G	L	L1	L2	H	CH	PN	Weight (g)
RCRAMC020B	1/2"	3/4"	1/2"	17	20	15	46	30	15	15
RCRAMC025C	3/4"	1"	3/4"	20	23	16,3	50	36	15	26
RCRAMC032D	1"	1"1/4"	1"	23	27	19,1	57	46	15	40
RCRAMC040E	1"1/4"	1"1/2"	1"1/4"	27	32	21,4	67	55	15	75
RCRAMC050F	1"1/2"	2"	1"1/2"	32	39	21,4	74	65	15	113
RCRAMC063G	2"	2"1/2"	2"	39	44	25,7	84	80	15	150
RCRAMC075H	2"1/2"	3"	2"1/2"	44	52	30,2	99	95	15	270
RCRAMC090I	3"	4"	3"	52	63	33,3	113	115	15	475
RCRAMC110L	4"	5"	4"	63	66	39,3	120	130	15	500

Thread according to ISO 228-1 / Filettatura secondo ISO 228-1



NSF and WRAS certifications: only for valves with EPDM seals. Certifications and approvals are related to items declared on Official Listing or certificates. /  
Certificazioni NSF e WRAS: valide solo per le valvole con guarnizioni EPDM. Le certificazioni si riferiscono ai prodotti dichiarati nelle Official Listing o sui certificati stessi.