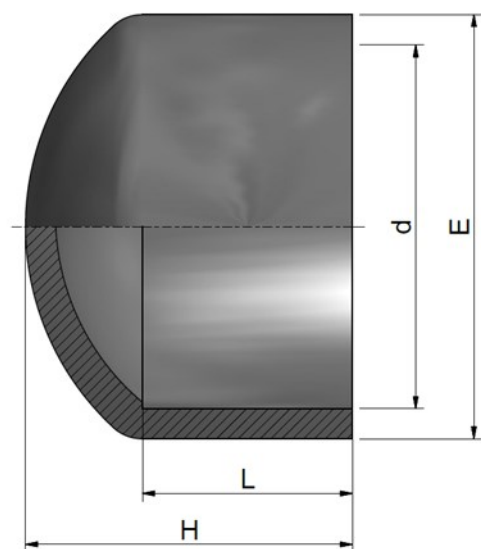


PVC-U Solvent welded BS fittings

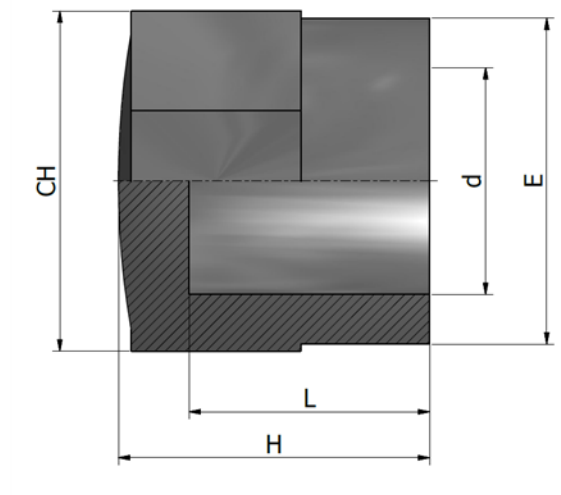
PVC-U Raccordi per incollaggio BS

CAP CALOTTA

Rev. Oct 2020



d 1/2" - 8"



d 3/8", CH = 24 mm

| Code | d | L | Z | E | H | PN | Weight (g) |
|------------|-------|-----|-----|-----|-----|----|------------|
| RARCAA0160 | 3/8" | 15 | 26 | 23 | 22 | 15 | 7 |
| RARCAA0200 | 1/2" | 17 | 30 | 27 | 30 | 15 | 11 |
| RARCAA0250 | 3/4" | 20 | 34 | 33 | 34 | 15 | 18 |
| RARCAA0320 | 1" | 23 | 38 | 42 | 38 | 15 | 30 |
| RARCAA0400 | 1"1/4 | 27 | 43 | 50 | 43 | 15 | 54 |
| RARCAA0500 | 1"1/2 | 32 | 48 | 61 | 49 | 15 | 72 |
| RARCAA0630 | 2" | 38 | 56 | 75 | 56 | 15 | 132 |
| RARCAA0750 | 2"1/2 | 44 | 67 | 89 | 67 | 15 | 178 |
| RARCAA0900 | 3" | 51 | 78 | 106 | 81 | 15 | 304 |
| RARCAA1100 | 4" | 63 | 81 | 133 | 97 | 15 | 603 |
| RARCAA1400 | 5" | 76 | 114 | 162 | 107 | 15 | 920 |
| RARCAA1600 | 6" | 90 | 127 | 198 | 127 | 15 | 1470 |
| RARCAA2250 | 8" | 119 | 165 | 255 | 166 | 9 | 2977 |



NSF and WRAS certifications: only for valves with EPDM seals. Certifications and approvals are related to items declared on Official Listing or certificates. /
Certificazioni NSF e WRAS: valide solo per le valvole con guarnizioni EPDM. Le certificazioni si riferiscono ai prodotti dichiarati nelle Official Listing o sui certificati stessi.