

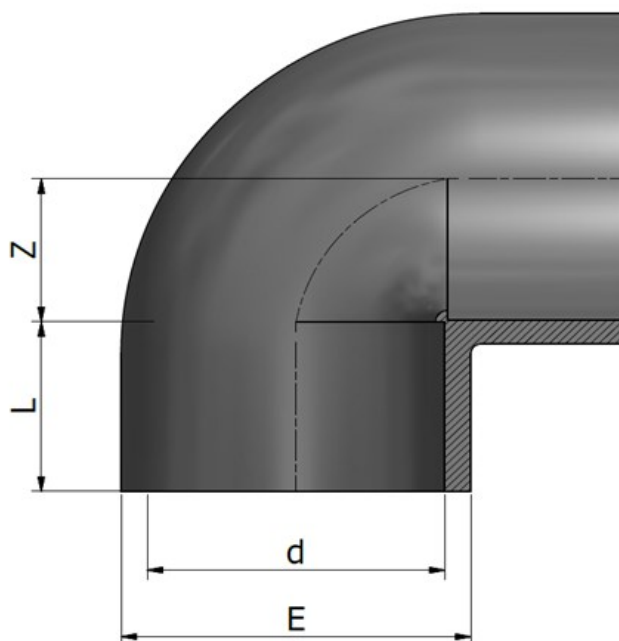
PVC-U Solvent welded BS fittings

PVC-U Raccordi per incollaggio BS

ELBOW 90°

GOMITO 90°

Rev. Mar 2021



| Code | d | L | Z | E | PN | Weight (g) |
|------------|-------|-----|-----|-----|-----|------------|
| RARGOA0160 | 3/8" | 15 | 9 | 23 | 15 | 13 |
| RARGOA0200 | 1/2" | 17 | 11 | 27 | 15 | 17 |
| RARGOA0250 | 3/4" | 20 | 14 | 33 | 15 | 25 |
| RARGOA0320 | 1" | 23 | 17 | 41 | 15 | 45 |
| RARGOA0400 | 1"1/4 | 27 | 23 | 51 | 15 | 70 |
| RARGOA0500 | 1"1/2 | 32 | 28 | 61 | 15 | 151 |
| RARGOA0630 | 2" | 38 | 34 | 75 | 15 | 273 |
| RARGOA0750 | 2"1/2 | 44 | 40 | 89 | 15 | 384 |
| RARGOA0900 | 3" | 52 | 48 | 106 | 15 | 670 |
| RARGOA1100 | 4" | 63 | 58 | 133 | 15 | 1238 |
| RARGOA1400 | 5" | 79 | 73 | 164 | 16 | 2000 |
| RARGOA1600 | 6" | 90 | 81 | 198 | 15 | 4261 |
| RARGOA2250 | 8" | 119 | 115 | 258 | 15* | 8765 |

*Reduced safety factor / *Fattore di sicurezza ridotto*

Marks / Marchi: 1. BSI



NSF and WRAS certifications: only for valves with EPDM seals. Certifications and approvals are related to items declared on Official Listing or certificates. /
 Certificazioni NSF e WRAS: valide solo per le valvole con guarnizioni EPDM. Le certificazioni si riferiscono ai prodotti dichiarati nelle Official Listing o sui certificati stessi.