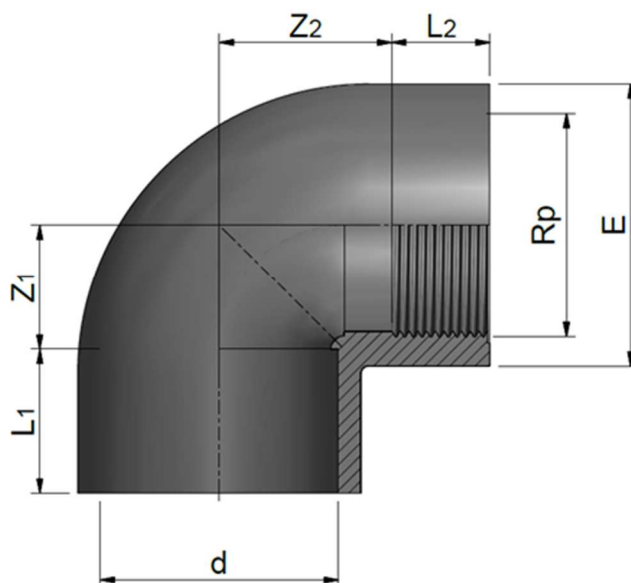


# PVC-U Adaptor fittings, BS - BSPP

## PVC-U Raccordi di passaggio, BS - BSPP

**ELBOW 90°**  
**GOMITO 90°**

Rev. Jul 2020



Code	d	Rp	L1	L2	Z1	Z2	E	PN	Weight (g)
RCRGOC020B	1/2"	1/2"	17	15	11	13	28	15	20
RCRGOC025C	3/4"	3/4"	20	16,3	14	17	34	15	35
RCRGOC032D	1"	1"	23	19,1	17	21	42	15	60
RCRGOC040E	1"1/4	1"1/4	27	21,4	21	27	51	15	90
RCRGOC050F	1"1/2	1"1/2	32	21,4	26	37	61	15	155
RCRGOC063G	2"	2"	38	26	33	46	75	15	265
RCRGOC075H	2"1/2	2"1/2	44	30,2	39	53	89	15	400
RCRGOC090I	3"	3"	52	33,3	47	65	106	15	670
RCRGOC110L	4"	4"	63	39,3	58	79	132	15	1078

Thread according to ISO 228-1 / Filettatura secondo ISO 228-1



NSF and WRAS certifications: only for valves with EPDM seals. Certifications and approvals are related to items declared on Official Listing or certificates. /  
Certificazioni NSF e WRAS: valide solo per le valvole con guarnizioni EPDM. Le certificazioni si riferiscono ai prodotti dichiarati nelle Official Listing o sui certificati stessi.