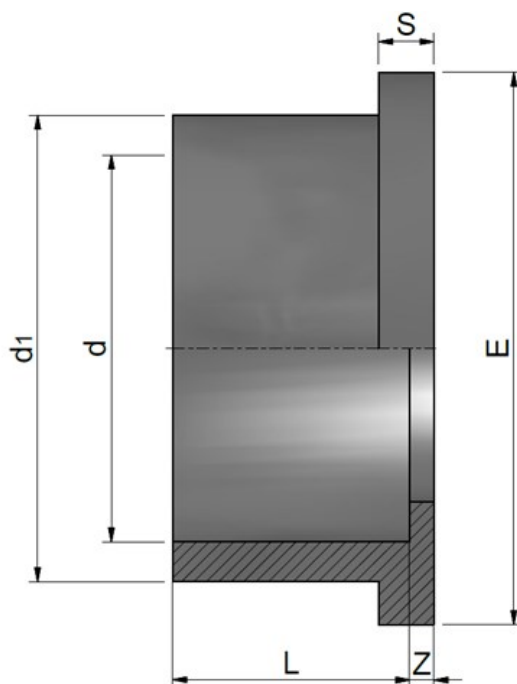


PVC-U Solvent welded BS fittings
PVC-U Raccordi per incollaggio BS

SERRATED FACE STUB FLANGE
COLLARE RIGATO PER FLANGE

Rev. Aug 2021



Code	d	d1	L	Z	E	S	PN	Weight (g)
RARQRA0200	1/2"	27	16	3	34	3	15	10
RARQRA0250	3/4"	33	19	4	41	3	15	16
RARQRA0320	1"	41	22	4	50	7	15	25
RARQRA0400	1 1/4"	50	26	3	61	8	15	41
RARQRA0500	1 1/2"	61	32	4	73	9	15	60
RARQRA0630	2"	76	38	4	90	10	15	105
RARQRA0750	2 1/2"	90	44	5	106	10	15	160
RARQRA0900	3"	108	52	4	125	11	15	280
RARQRA1100	4"	131	62	5	149	12	15	445
RARQRA1400	5"	165	77	8	189	13	15	740
RARQRA1600	6"	190	87	7	214	13	15	1000
RARQRA2250	8"	248	119	9	273	20	9	1700



NSF and WRAS certifications: only for valves with EPDM seals. Certifications and approvals are related to items declared on Official Listing or certificates. /
 Certificazioni NSF e WRAS: valide solo per le valvole con guarnizioni EPDM. Le certificazioni si riferiscono ai prodotti dichiarati nelle Official Listing o sui certificati stessi.