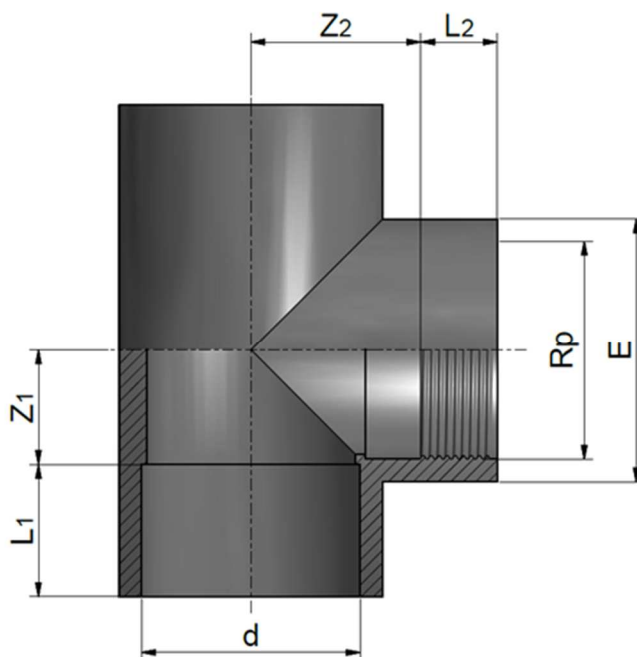


**PVC-U Adaptor fittings, BS - BSPP**  
**PVC-U Raccordi di passaggio, BS - BSPP**

**TEE 90° WITH FEMALE THREADED BRANCH**  
**TI 90° CON BOCCA CENTRALE FILETTATA FEMMINA**

Rev. Jul 2020



Code	d	Rp	L1	L2	Z1	Z2	E	PN	Weight (g)
RCRTIC020B	1/2"	1/2"	17	15	11	13	28	15	25
RCRTIC025C	3/4"	3/4"	20	16,3	14	17	34	15	38
RCRTIC032D	1"	1"	23	19,1	17	21	42	15	69
RCRTIC040E	1"1/4	1"1/4	27	21,4	21	27	51	15	106
RCRTIC050F	1"1/2	1"1/2	32	21,4	26	37	61	15	213
RCRTIC063G	2"	2"	39	25,7	33	47	75	15	380
RCRTIC075H	2"1/2	2"1/2	44	30,2	39	53	89	15	505
RCRTIC090I	3"	3"	51	33,3	47	65	106	15	882
RCRTIC110L	4"	4"	63	39,3	57	79	133	15	1325

Thread according to ISO 228-1 / Filettatura secondo ISO 228-1



NSF and WRAS certifications: only for valves with EPDM seals. Certifications and approvals are related to items declared on Official Listing or certificates. /  
 Certificazioni NSF e WRAS: valide solo per le valvole con guarnizioni EPDM. Le certificazioni si riferiscono ai prodotti dichiarati nelle Official Listing o sui certificati stessi.