

# PVC-U Solvent welded BS fittings

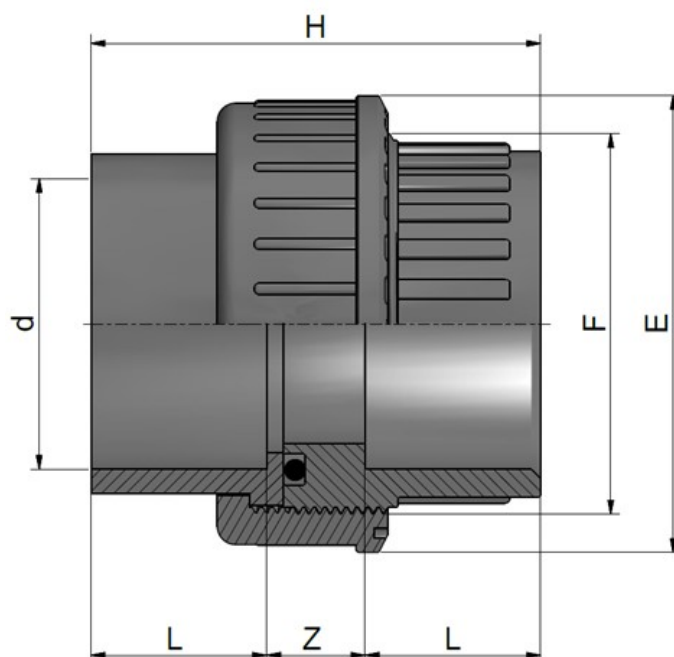
## PVC-U Raccordi per incollaggio BS

### UNION F-F

#### BOCCHETTONE F-F

Rev. Oct 2020

- Seals: EPDM or FKM / Guarnizioni: EPDM o FKM



Code EPDM	Code FKM	Rp	L min	Z max	H	E	F	PN	Weight (g)
RARBOA0160	RARBOA016V	3/8"	14	14	42	34	3/4"	15	27
RARBOA0200	RARBOA020V	1/2"	16	13	45	43	1"	15	42
RARBOA0250	RARBOA025V	3/4"	19	13	51	54	1"1/4	15	68
RARBOA0320	RARBOA032V	1"	22	13	57	61	1"1/2	15	91
RARBOA0400	RARBOA040V	1"1/4	27	14	68	75	2"	15	149
RARBOA0500	RARBOA050V	1"1/2	31	18	80	81	2"1/4	15	189
RARBOA0630	RARBOA063V	2"	38	22	98	99	2"3/4	15	322
RARBOA0750	RARBOA075V	2"1/2	44	22	110	120	3"1/2	15	567
RARBOA0900	RARBOA090V	3"	51	23	125	134	4"	15	725
RARBOA1100	RARBOA110V	4"	61	23	145	163	5"	15	1265



NSF and WRAS certifications: only for valves with EPDM seals. Certifications and approvals are related to items declared on Official Listing or certificates. /  
 Certificazioni NSF e WRAS: valide solo per le valvole con guarnizioni EPDM. Le certificazioni si riferiscono ai prodotti dichiarati nelle Official Listing o sui certificati stessi.