

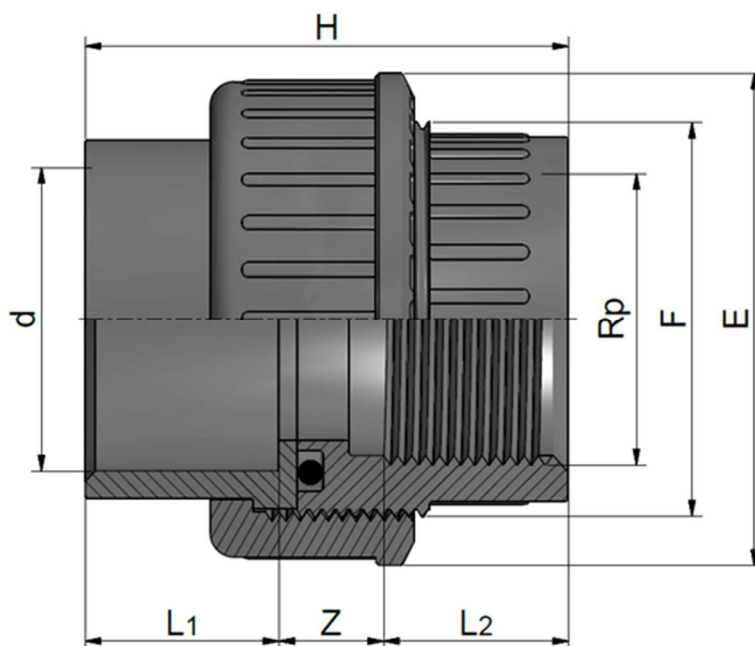
# PVC-U Adaptor fittings, BS - BSPP

## PVC-U Raccordi di passaggio, BS - BSPP

### MALE ADAPTOR ADATTATORE MASCHIO

- Seal: EPDM or FKM / Guarnizione: EPDM o FKM

Rev. Jul 2020



Code EPDM	Code FKM	d	Rp	L1 min	L2 min	Z max	H	E	F	PN	Weight (g)
RCRBOC016A	RCRBOC016V	3/8"	3/8"	14	11,4	16,6	42	34	3/4"	15	30
RCRBOC020B	RCRBOC020V	1/2"	1/2"	16	15	14	45	43	1"	15	42
RCRBOC025C	RCRBOC025V	3/4"	3/4"	19	16,3	15,7	51	54	1"1/4	15	70
RCRBOC032D	RCRBOC032V	1"	1"	22	19,5	15,5	57	61	1"1/2	15	95
RCRBOC040E	RCRBOC040V	1"1/4	1"1/4	27	21,4	19,6	68	75	2"	15	155
RCRBOC050F	RCRBOC050V	1"1/2	1"1/2	31	21,4	27,6	80	81	2"1/4	15	240
RCRBOC063G	RCRBOC063V	2"	2"	38	25,7	34,3	98	99	2"3/4	15	405
RCRBOC075H	RCRBOC075V	2"1/2	2"1/2	44	30,2	35,8	110	120	3"1/2	15	625
RCRBOC090I	RCRBOC090V	3"	3"	51	33,3	40,7	125	134	4"	15	865
RCRBOC110L	RCRBOC110V	4"	4"	61	39,3	44,7	145	163	5"	15	1340

Thread according to ISO 228-1 / Filettatura secondo ISO 228-1



NSF and WRAS certifications: only for valves with EPDM seals. Certifications and approvals are related to items declared on Official Listing or certificates. /  
Certificazioni NSF e WRAS: valide solo per le valvole con guarnizioni EPDM. Le certificazioni si riferiscono ai prodotti dichiarati nelle Official Listing o sui certificati stessi.