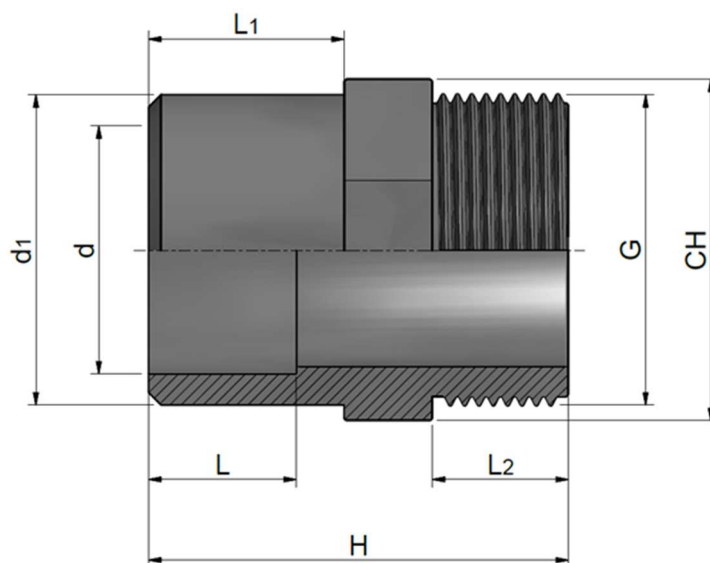


PVC-U Adaptor fittings, metric - BSPP

PVC-U Raccordi di passaggio, metrico - BSPP

MALE ADAPTOR ADATTATORE MASCHIO

Rev. Jun 2019



| Code | d | d1 | G | L | L1 | L2 | H | CH | PN | Weight (g) |
|------------|----|----|--------|----|----|------|----|----|----|------------|
| RGRAMG012A | 12 | 16 | 3/8" | 12 | 14 | 11,4 | 35 | 19 | 16 | 9 |
| RGRAMG016A | 16 | 20 | 3/8" | 14 | 16 | 11,4 | 40 | 24 | 16 | 10 |
| RGRAMG016B | 16 | 20 | 1/2" | 14 | 16 | 15 | 43 | 24 | 16 | 11 |
| RGRAMG020A | 20 | 25 | 3/8" | 16 | 19 | 11,4 | 43 | 30 | 16 | 15 |
| RGRAMG020B | 20 | 25 | 1/2" | 16 | 19 | 15 | 46 | 30 | 16 | 16 |
| RGRAMG020C | 20 | 25 | 3/4" | 16 | 19 | 16,3 | 47 | 30 | 16 | 18 |
| RGRAMG025B | 25 | 32 | 1/2" | 19 | 22 | 15 | 49 | 36 | 16 | 25 |
| RGRAMG025C | 25 | 32 | 3/4" | 19 | 22 | 16,3 | 50 | 36 | 16 | 26 |
| RGRAMG025D | 25 | 32 | 1" | 19 | 22 | 19,1 | 53 | 36 | 16 | 27 |
| RGRAMG032B | 32 | 40 | 1/2" | 22 | 26 | 15 | 53 | 46 | 16 | 35 |
| RGRAMG032C | 32 | 40 | 3/4" | 22 | 26 | 16,3 | 54 | 46 | 16 | 43 |
| RGRAMG032D | 32 | 40 | 1" | 22 | 26 | 19,1 | 57 | 46 | 16 | 42 |
| RGRAMG032E | 32 | 40 | 1 1/4" | 22 | 26 | 21,4 | 60 | 46 | 16 | 47 |
| RGRAMG040D | 40 | 50 | 1" | 26 | 31 | 19,1 | 64 | 55 | 16 | 70 |
| RGRAMG040E | 40 | 50 | 1 1/4" | 26 | 31 | 21,4 | 67 | 55 | 16 | 74 |
| RGRAMG040F | 40 | 50 | 1 1/2" | 26 | 31 | 21,4 | 67 | 55 | 16 | 70 |
| RGRAMG050E | 50 | 63 | 1 1/4" | 32 | 38 | 21,4 | 74 | 65 | 16 | 116 |

| Code | d | d1 | G | L | L1 | L2 | H | CH | PN | Weight (g) |
|------------|-----|-----|-------|----|------|------|-----|-----|----|------------|
| RGRAMG050F | 50 | 63 | 1"1/2 | 32 | 38 | 21,4 | 74 | 65 | 16 | 113 |
| RGRAMG050G | 50 | 63 | 2" | 32 | 38 | 25,7 | 78 | 65 | 16 | 119 |
| RGRAMG063F | 63 | 75 | 1"1/2 | 38 | 44 | 21,4 | 84 | 80 | 16 | 182 |
| RGRAMG063G | 63 | 75 | 2" | 38 | 44 | 25,7 | 88 | 80 | 16 | 185 |
| RGRAMG063H | 63 | 75 | 2"1/2 | 38 | 44 | 30,2 | 93 | 80 | 16 | 189 |
| RGRAMG075G | 75 | 90 | 2" | 44 | 51 | 25,7 | 95 | 95 | 16 | 279 |
| RGRAMG075H | 75 | 90 | 2"1/2 | 44 | 51 | 30,2 | 100 | 95 | 16 | 281 |
| RGRAMG075I | 75 | 90 | 3" | 44 | 51 | 33,5 | 103 | 95 | 16 | 298 |
| RGRAMG090H | 90 | 110 | 2"1/2 | 51 | 61 | 30,2 | 110 | 115 | 16 | 476 |
| RGRAMG090I | 90 | 110 | 3" | 51 | 61 | 33,5 | 113 | 115 | 16 | 483 |
| RGRAMG090L | 90 | 110 | 4" | 51 | 61 | 39,3 | 118 | 115 | 16 | 485 |
| RGRAMG110I | 110 | 125 | 3" | 61 | 68,5 | 33,5 | 116 | 130 | 16 | 511 |
| RGRAMG110L | 110 | 125 | 4" | 61 | 68,5 | 39,3 | 121 | 130 | 16 | 506 |
| RGRAMG110M | 110 | 125 | 5" | 61 | 68,5 | 43,6 | 125 | 130 | 16 | 588 |

Thread according to ISO 228-1 / Filettatura secondo ISO 228-1



NSF and WRAS certifications: only for valves with EPDM seals. Certifications and approvals are related to items declared on Official Listing or certificates. /
 Certificazioni NSF e WRAS: valide solo per le valvole con guarnizioni EPDM. Le certificazioni si riferiscono ai prodotti dichiarati nelle Official Listing o sui certificati stessi.