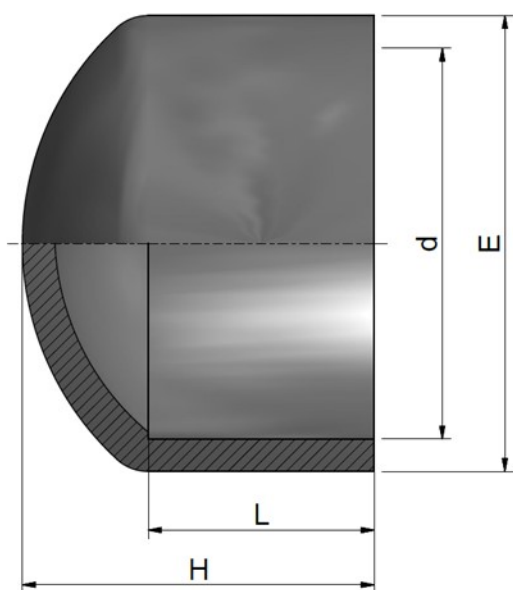


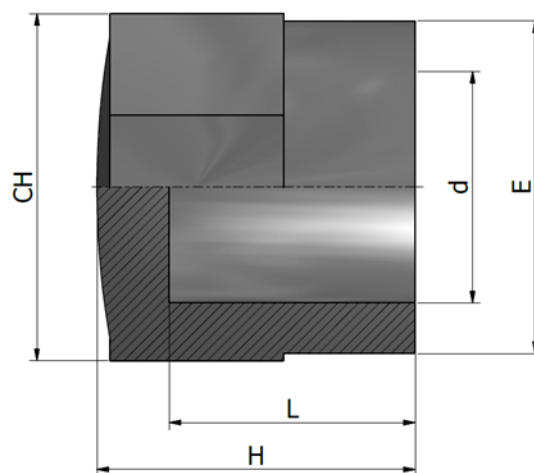
PVC-U Solvent welded metric fittings
PVC-U Raccordi per incollaggio metrici

CAP
CALOTTA

Rev. Oct 2020



d 20-315 mm



d 16 mm, CH = 24 mm

Code	d	L	H	E	PN	Weight (g)	
RDRCAD0160	16	17	22	23	16	7	1
RDRCAD0200	20	16	30	27	16	10	2
RDRCAD0250	25	19	34	33	16	18	3
RDRCAD0320	32	23	38	42	16	30	3
RDRCAD0400	40	27	43	50	16	45	3
RDRCAD0500	50	33	49	61	16	65	3
RDRCAD0630	63	38	56	75	16	110	3
RDRCAD0750	75	45	67	89	16	208	3
RDRCAD0900	90	52	81	106	16	325	3
RDRCAD1100	110	63	97	128	16	500	4
RDRCAD1250	125	69	99	145	16	670	4
RDRCAD1400	140	77	107	161	16	920	4
RDRCAD1600	160	87	127	182	16	1120	4

Code	d	L	H	E	PN	Weight (g)
RDRCAD2000	200	106	166	231	10	1680
RDRCAD2250	225	118	173	247	10	2978
RDRCAD2500	250	131	208	286	10	5530
RDRCAD3150	315	165	267	352	10	8650

Marks / Marchi:

1. KIWA, DVGW
2. KIWA UNI, KIWA, DVGW
3. KIWA UNI, KIWA, DVGW, NF
4. KIWA UNI



NSF and WRAS certifications: only for valves with EPDM seals. Certifications and approvals are related to items declared on Official Listing or certificates. /
 Certificazioni NSF e WRAS: valide solo per le valvole con guarnizioni EPDM. Le certificazioni si riferiscono ai prodotti dichiarati nelle Official Listing o sui certificati stessi.