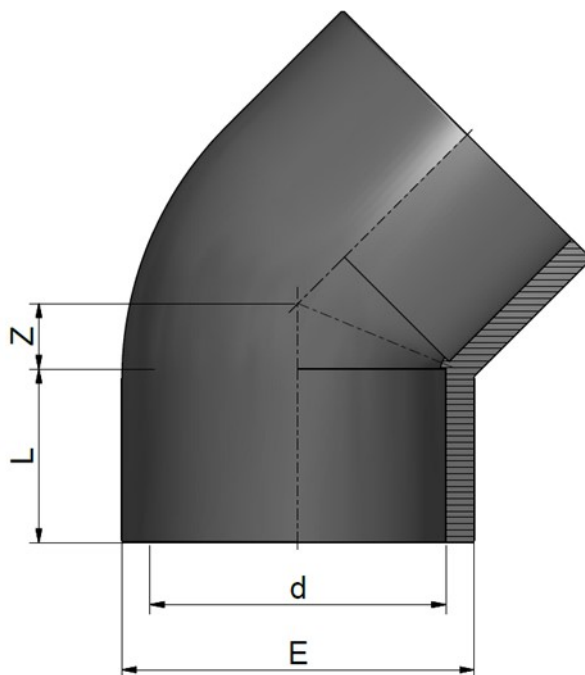


PVC-U Solvent welded metric fittings
PVC-U Raccordi per incollaggio metrici

ELBOW 45°
GOMITO 45°

Rev. Oct 2020



Code	d	L	Z	E	PN	Weight (g)	
RDRGYD0160	16	14	5	23	16	10	1
RDRGYD0200	20	17	4	28	16	17	1
RDRGYD0250	25	19	7	33	16	30	2
RDRGYD0320	32	22	8	41	16	47	2
RDRGYD0400	40	26	10	50	16	77	2
RDRGYD0500	50	32	11	62	16	115	2
RDRGYD0630	63	37	14	75	16	154	2
RDRGYD0750	75	43	17	88	16	310	2
RDRGYD0900	90	51	22	106	16	451	2
RDRGYD1100	110	61	24	128	16	835	1
RDRGYD1250	125	69	27	145	16	1080	1
RDRGYD1400	140	77	30	163	16	1640	1

Code	d	L	Z	E	PN	Weight (g)	
RDRGYD1600	160	87	35	185	16	2100	1
RDRGYD2000	200	106	42	232	16*	5000	
RDRGYD2250	225	119	48	258	16*	6200	
RDRGYD2500	250	131	57	288	10	7700	
RDRGYD2800	280	146	62	320	10	10460	
RDRGYD3150	315	164	66	359	10	15500	
RDRGYD3550	355	184	77	393	5	16000	
RDRGYD4000	400	206	83	439	5	20200	

*Reduced safety factor / *Fattore di sicurezza ridotto*

Marks / *Marchi*:

1. KIWA UNI, KIWA, DVGW
- 2.. KIWA UNI, KIWA, DVGW, NF



NSF and WRAS certifications: only for valves with EPDM seals. Certifications and approvals are related to items declared on Official Listing or certificates. /
 Certificazioni NSF e WRAS: valide solo per le valvole con guarnizioni EPDM. Le certificazioni si riferiscono ai prodotti dichiarati nelle Official Listing o sui certificati stessi.