

Note: Part numbers enclosed in brackets () are not available individually, but may be sold in assemblies or kits.

RAIN BIRD 551 / 751 INTERNAL ASSEMBLY

Ref.	Part Description	Qty.	E/C	S/H	B
SNAP RINGS					
1	Snap Cover	1	21192101	21192101	21192101
INTERNAL ASSEMBLY					
2	Rain Bird Internal Assembly (A) (B)	1	214751xx	214751xx	214651xx
NOZZLE HOUSING AND NOZZLES					
3	Nozzle Housing Screw	2	214754	214754	214754
4	Nozzle plug	1	211593	211593	211593
5	Nozzle Housing Less Nozzle	1	213760	213760	213760
6	Standard Range Nozzle and O-Ring Assembly (C)	1	213750xx	213750xx	213750xx
6	Short Throw Range Nozzle and O-Ring Assembly (D)	1	213751xx	213751xx	213751xx
7	O-Ring (Cover, Adjust, & Lever)	2	211236	211236	211236
8	FC/PC Arm-Lever Assembly	1	214752	214752	214752
9	Arc Adjust Stem	1	210420	210420	210420
BEARING GUIDE / MOTOR ASSEMBLY					
10	Bearing Guide Assembly, Standard	1	211147	—	—
10	Bearing Guide Assembly, Low Flow	1	—	(211263)	(211263)
11	Bearing Guide O-ring	1	211242	211242	211242
12	FC-PC Trip Rod	1	214753	214753	214753
13	Rain Bird 751 Riser Motor Assembly	1	21475100	21475100	21475100
14	Stator/Screen Kit	1	21040301	21040301	21040301
15	SAM Screen Kit Block Models	1	—	—	211292
19	Pop-up Seal (White)	1	(201399)	(201399)	(201399)
KITS AND ACCESSORIES					
1	Snap Cover, Yellow	1	21192102	21192102	21192102
1	Snap Cover, White	1	21192103	21192103	21192103
1	Snap cover, Purple	1	21192104	21192104	21192104
-	Sod Cup Kit	1	212613	212613	212613
DIFFUSER SCREW					
17	Diffuser Screw Only	1	214757	214757	214757
SPREADER NOZZLES					
18	Rear Spreader Nozzles	1	(E)	(E)	(E)

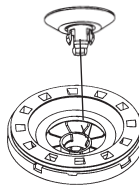
- (A) Specify Nozzle Size when ordering. Available in # 20, 22, 28, 32, 36, 40, 44, or 48.
- (B) For Non-Potable applications, use standard part and purple snap ring (Part # 21192104)
- (C) Specify Nozzle Size (28, 32, 36, 40, 44, or 48)
- (D) Sprcify Nozzle Size (22 or 24)
- (E) Optional Spreader Nozzles 213701 (Green), 213702 (Orange), 213705 (Blue w/Diffuser), 212291 (Red), and 211417 (Black)

Stator / Poppet Configurations - Dual Spreader

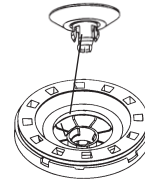
Color	Number	Electric Pressure Setting				Hyd, SAM, B
		psi (bars)				
		60 (4,1)	70 (4,8)	80 (5,5)	100 (6,9)	
Gray	#20	S4	S4	S4	S4	S4
Red	#22	S8	S8	S8	S8	S8
White	#28	SPC	SPC	SPC	SPC	SPC
Blue	#32	SPO	SPO	SPO	SPO	SPO
Yellow	#36	SPO	SPO	SPO	SPO	SPO
Orange	#40	SNP	SNP	SNP	SNP	SNP
Green	#44	SNP	SNP	SNP	SNP	SNP
Black	#48	N/R	SNP	SNP	SPR	SNP

S4 = 4 Hole S8 = 8 Hole
 SPC = Stator with Poppet Closed SO = Screen Only
 SPO = Stator with Poppet Open SPR = Spacer and Screen
 SNP = Stator No Poppet N/R = Not a Recommended Pressure and Nozzle Setting

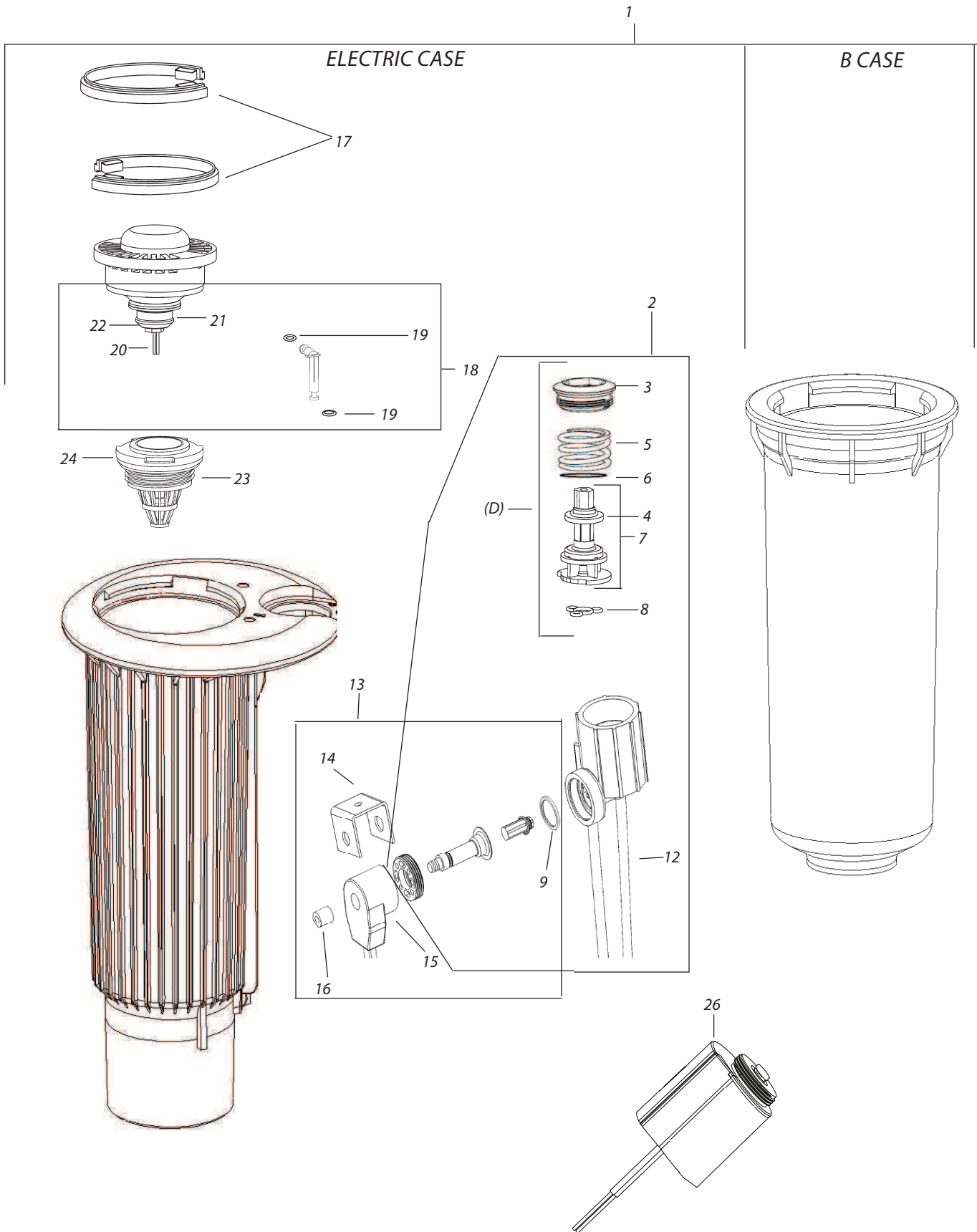
Stator with Poppet Closed
Should be tight when snapped in



Stator with Poppet Open
Should be loose when snapped in



Note: Part numbers enclosed in brackets () are not available individually, but may be sold in assemblies or kits.





Ref. Part Description	Qty.	Electric	SAM/Hydraulic	B case	IC
CASE ASSEMBLIES					
1 EAGLE 700 / 750 Case Assembly (ACME)	1	(A) 212466xx	—	21148903	21338902
1 EAGLE 500 / 550 Case Assembly (ACME)	1	—	—	21148903	—
2 PRS/Selector Housing Assy (>6/95)	1	211418	—	—	—
3 Selector Cap	1	(B)	—	—	—
4 Stem Cover O-Ring	1	(B)	—	—	—
5 Compression Spring	1	(B)	—	—	—
6 Selector Spring Washer	1	(B)	—	—	—
7 PRS Cartridge, Upper Stem (Black)	1	(B)	—	—	—
8 Selector Seal (Green)	1	(B)	—	—	—
9 Solenoid Base O-Ring	1	211237	—	—	—
12 Tubing	2	(C) 211607	(C) 211607	—	—
13 Solenoid Assy	1	20692001	—	—	—
14 U-Frame	1	212124S	—	—	—
15 Encapsulated Coil	1	602118	—	—	—
16 Solenoid Retainer	1	627167	—	—	—
17 Lower Snap Ring	2	210470	210470	—	—
18 Valve Assembly (700 / 750 Series)	1	211468	212322	—	—
18 Valve Assembly (500 / 550 Series)	1	—	212322	—	—
19 Probe O-Ring	2	211238	211238	—	—
20 Universal Filter	1	20609202	—	—	—
21 Inlet Rubber Seal	1	212328S	—	—	—
22 Seal Nut	1	211174	—	—	—
23 Top-Serviceable Rock Screen (TSRS) (>4/98) (White)	1	21171401	21171401	—	—
24 O-Ring for TSRS (Yellow)	1	210366	210366	—	—
26 Golf Black Solenoid (GBS)	1	213462C	—	—	—
KITS					
- Rubber Cover Kit (B case Only)	1	—	—	211355	—

(A) For Electric Case Assemblies specify pressure setting when ordering. 02 or 02B = 70 psi (4,8 bars).

Pressure setting is identified as follows: 70PSI-Blue.

(B) Included in PRS/Selector Repair Kit: Pre 4/01 use # 213366 (includes rust seal.), Post 4/01 use #212150 (includes green seal).

(C) Tubing Repair Kit includes 20 tubes, ferrules and metal bars.