

Note: Part numbers enclosed in brackets ( ) are not available individually, but may be sold in assemblies or kits.

EAGLE™ 950 INTERNAL ASSEMBLY

Ref.	Part Description	Otv.	950-E/IC	950-S/H
<b>SNAP RINGS</b>				
1	Snap Cover (all models)	1	21193401	21193401
2	Rubber Cover Kit	1	212554	212554
<b>INTERNAL ASSEMBLY</b>				
3	Internal Assembly (B,C)	1	211442xx	211442xx
<b>COVER ASSEMBLY</b>				
4	Self-Tapping Screw	2	210975	210975
5	One Piece Arc Adjust Conversion Kit(A)(B)	1	212893	212893
6	Housing Cover (on & after 11/06) (A)	1	(21282001)	(21282001)
8	Screw O-ring	2	209778	209778
<b>NOZZLES</b>				
9	Nozzle Housing-Black(on & after 11/06)(A)(B)	1	212822	212822
10	Range Nozzle Assembly (C)	1	213950xx	213950xx
11	Retract Seal	1	210231	210231
19	Stator/Screen Kit	1	210232	210232
	- Poppet		—	—
	- Stator		—	—
	- Screen		—	—
<b>BEARING / RISER-MOTOR ASSEMBLY</b>				
12	Nozzle Housing O-Ring	1	210436	210436
13	Adjustment Stem (on & after 11/06) (A)	1	—	—
14	Bearing Guide Assy, STD	1	211460	—
14	Bearing Guide Assy, LO-FLOW	1	—	(211461)
15	Bearing Guide O-Ring	1	212383	212383
16	Riser Motor Assembly	1	210439	210439
17	Nozzle Base Replacement Kit w/seals	1	212061	212061
18	Pop-up Seal (White)	1	209781	209781

20 CASE ASSEMBLY See Catalog No. 011

- (A) One Piece Arc Adjust incorporated 11/06. Prior to 11/06. Upgrade to the One Piece Arc Adjust Kit. Part # 212893.
- (B) For non-potable applications, use standard part and purple snap ring - Part # 21193404.
- (C) Specify Nozzle Size when ordering. Available in # 18, 20, 22, 24,26,28,30,32

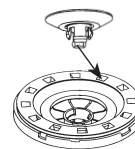
Ref.	KITS & Accessories	Otv.	P/N
1	Snap-Cover, Black		21192101
1	Snap-Cover, Yellow		21193402
1	Snap-Cover, White		21193403
1	Snap-Cover, Purple (Non-Potable)		21193404
<b>Rubber Cover Kit</b>			(E)212554
-	Snap Ring Rubber cover	1	
-	Upper snap ring	1	
-	Housing Rubber cover	1	
-	Rubber Case Cover	1	
5	Cover, Yardage Marker Blank (White) (A)		(21214103)
5	Cover, Yardage Marker Blank (Black) (A)		(21214101)
<b>Diffuser Screw Kit</b>			(B)212145
9	Nozzle Housing, Drilled & Tapped	1	
-	Diffuser Screws	2	
5	Cover, Notched	1	
11	Retract Seal	1	
8	Screw O-Ring	2	
<b>EAGLE's TAIL KIT (Black)</b>			(B)211900
9	Housing, Nozzle, Drilled in back	1	
-	Close-in Spreader Nozzle, 700	1	211452
5	Housing cover	1	
11	Retract Seal	1	
8	Screw O-Ring	2	
	EAGLE's Tail Instruction Sheet	1	

Stator / Poppet Configurations - Cascade & Non-Cascade

Color	Number	Electric Pressure Setting				Hyd, SAM
		psi (bars)				
		60 (4,1)	70 (4,8)	80 (5,5)	100 (6,9)	
White	#18C	SPC	SPC	SPC	SPC	SPC
Gray	#20C	SPC	SPC	SPC	SPC	SPC
Blue	#22C	SPC	SPC	SPC	SPC	SPC
Yellow	#24C	SPC	SPC	SPO	SPO	SPO
Orange	#26	SPO	SPO	SPO	SPO	SPO
Green	#28	N/R	SNP	SO	SO	SPR
Black	#30	N/R	SNP	SO	SO	SPR
Brown	#32	N/R	N/R	SO	SO	SPR

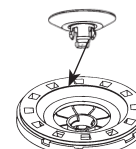
SPC = Stator with Poppet Closed      SPR = Spacer and Screen  
 SPO = Stator with Poppet Open      SO = Screen Only  
 SNP = Stator No Poppet      N/R=Not a Recommended Pressure and Nozzle Setting

Stator with Poppet Closed



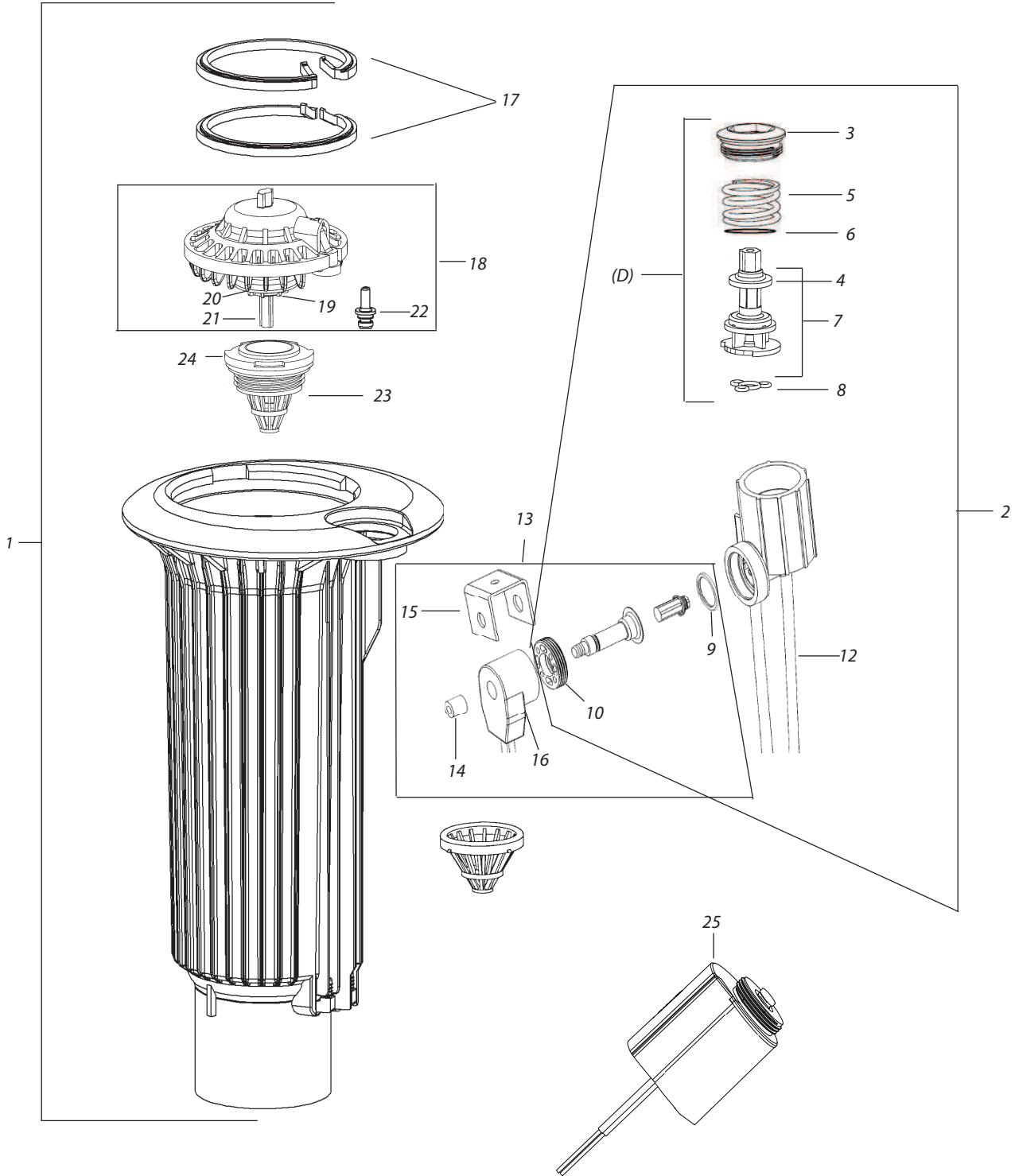
Should be tight when snapped in

Stator with Poppet Open



Should be loose when snapped in

Note: Part numbers enclosed in brackets ( ) are not available individually, but may be sold in assemblies or kits.





Ref.	Part Description	Qty.	Electric	SAM / Hydraulic	IC
CASE ASSEMBLIES					
1	Case Assembly (ACME)	1	(A) 212475xx	212477	21339003
2	PRS/Selector Housing Assy (>6/95)	1	211418	—	—
3	Selector cap	1	(B)	—	—
4	Stem Cover O-Ring	1	(B)	—	—
5	Compression Spring	1	(B)	—	—
6	Selector Washer	1	(B)	—	—
7	PRS Cartridge	1	(B)	—	—
8	Selector Seal (Green)	1	(B)	—	—
9	Solenoid Base O-Ring	1	211237	—	—
10	Base Nut	1	602606	—	—
12	Tubing	1	(C) 211607	(C) 211607	—
13	Solenoid Assembly Kit	2	20692001	—	—
14	Solenoid Retainer	1	627167	—	—
15	Solenoid U-Frame	1	2121245	—	—
16	Encapsulated Coil	1	602118	—	—
17	Lower Snap Ring (White)	2	208396	208396	—
18	HPDV Valve Assembly	1	211266	212323	—
19	Seal Nut (White)	1	211174	—	—
20	Rubber Inlet Seal	1	211197	2122205	—
21	Universal Filter	1	20609202	—	—
22	Probe O-Ring (Yellow)	1	211238	211238	—
23	Top-Serviceable Rock Screen (>9/98)	1	21171402	21171402	—
24	Rock Screen O-ring (Grey)	1	210366	210366	—
25	Golf Black Solenoid (GBS)	1	213462C	—	—

(A) For Electric Case Assemblies specify pressure setting xx when ordering. 03 or 03B = 80 psi (5,5 bars)

(B) Included in PRS/Selector Repair Kit: Pre 4/01 use Part # 213366 (includes rust color seal), Post 4/01 use Part # 212150

(C) Tubing repair Kit includes 20 tubes, ferrules and metal barbs.