



# Inspired by Nature

**NEW: the flat NEO rainwater tank**





## Bionics: proven in nature, efficient for man.

Evolution has come up with perfect structures over millions of years.

**Today we use nature's construction principles as a model for new technical solutions.**

Sharks, for example, have microscopically small grooves in their scaly skin that lower the flow resistance. Bionic designers transfer this structure to aircraft coatings which improve the aerodynamics.

So we at Premier Tech Aqua drew our inspiration from structures that are successful in nature.

**Our aim:** to develop a flat rainwater tank which combines the greatest possible stability with a low weight.

# NEO: the first flat rainwater- Sturdy, light-weight and long-



## NEO: modelled on nature's greatest example.

The structural engineering of the innovative flat rainwater tank NEO is modelled on the perfect forms of nature, for example that of the nautilus shell.

The nautilus has a very thin, chambered shell that is only a millimetre thick but still holds up under the considerable water pressure at depths of up to 800 m. This concurrence of extraordinary stability and low wall thickness is achieved by the special chambered shape of the shell.

Thanks to its unique bionic design, NEO saves 35 % in material, and hence weight, while offering outstanding structural properties.

- tank with a bionic design  
- lasting - as if designed by nature

# 35 % less weight.\* 35 % more stability.\* 35 years warranty.

The new flat NEO tank ensures the highest stability and durability with its innovative geometry. This is emphasized by the 35-year manufacturer's warranty. \*\*



patent pending

## Combines the highest stability with a low weight

The new NEO tank is not only distinguished by its very **high stability**, but also by a **considerably lower weight** than comparable flat tanks. Thanks to the efficient design, the pump basin makes optimal use of the tank volume.

## German Resource Efficiency Award 2014

The Federal Ministry for Economic Affairs and Energy has honoured us with the German Resource Efficiency Award 2014. Our new flat NEO tank was awarded the prize as an **outstanding example of an intelligent and sustainable handling of materials.**



## Easy, fast installation, low installation costs

The low weight and shallow excavation pit markedly ease the handling for installation. **The small excavation pit means less disturbance to the garden.** This also makes NEO ideal for post-hoc installation in existing properties. NEO is fit for truck traffic and installation in ground water.



## Better for resources and the environment

NEO is made from recyclable plastic using 35 % less material than our previous F-LINE flat tanks. This makes NEO **particularly valuable ecologically** in its production, transport and use.

\* Weight savings refer to the NEO 3000 L tank in comparison with our F-LINE 3000 L tanks. Other sizes may partly differ.



## Quality from Premier Tech Aqua - with 35 years warranty

**Premier Tech Aqua manufactures NEO in Germany.** You can select from individual tanks (1,500–40,000 l) and complete systems for the house or garden (1,500–10,000 l). Given the outstanding longevity of the NEO tank, Premier Tech Aqua offers you a **35 year warranty**.\*\*

\*\* The warranty only relates to the underground tank and not to individual parts or accessories, even if they are included in the price of the package.



# The right size for every need.

Premier Aqua Tech offers you the right NEO tank for every need, based on the garden size, roof area and, if applicable, number of people in the household.



### NEO flat tank 1,500 litres

For smaller gardens up to ca. 100 m<sup>2</sup> and roof areas from 20 m<sup>2</sup>. For domestic use by ca. 1-2 persons.



### NEO flat tank 3,000 litres

For medium-sized gardens up to ca. 300 m<sup>2</sup> and roof areas from 40 m<sup>2</sup>. For domestic use by ca. 2-3 persons.



### NEO flat tank 5,000 litres

For larger gardens up to ca. 500 m<sup>2</sup> and roof areas from 70 m<sup>2</sup>. For domestic use by ca. 3-5 persons.



### NEO flat tank 8,000 litres

For generous gardens up to ca. 1,000 m<sup>2</sup> and roof areas from 90 m<sup>2</sup>. For domestic use by ca. 5-8 persons.



### NEO flat tank 20,000 litres

Ideal for large facilities.

From 8,000 litres:  
shippable in April 2015!

Tank type*	Length	Width	Tank unit height	Height incl. access dome	Weight	Inflow <sup>1)</sup>	Outflow <sup>1)</sup>	Order-No.
NEO 1500 L	1920 mm	1920 mm	750 mm	810 mm	50 kg	140 mm	210 mm	RWNE1500
NEO 3000 L	2340 mm	2340 mm	1047 mm	1182 mm	100 kg	220 mm	270 mm	RWNE3000
NEO 5000 L	3400 mm	2320 mm	1120 mm	1245 mm	170 kg	220 mm	270 mm	RWNE5000
NEO 8000 L	4420 mm	2300 mm	1260 mm	1415 mm	240 kg	215 mm	315 mm	RWNE8000
NEO 10000 L	5420 mm	2300 mm	1260 mm	1415 mm	300 kg	215 mm	315 mm	RWNE1X00
NEO 15000 L	8020 mm	2300 mm	1260 mm	1415 mm	460 kg	215 mm	315 mm	RWNE2X00
NEO 20000 L	10620 mm	2300 mm	1260 mm	1415 mm	630 kg	215 mm	315 mm	RWNE3X00
NEO 30000 L	15820 mm	2300 mm	1260 mm	1415 mm	940 kg	215 mm	315 mm	RWNE5X00
NEO 40000 L	21020 mm	2300 mm	1260 mm	1415 mm	1260 kg	215 mm	315 mm	RWNE7X00

Further sizes upon request. All prices ex factory including VAT.




\*See our main catalogue at [www.rewatec.de](http://www.rewatec.de) for more information on the system-dependent tank capacities.

<sup>1)</sup> Upper edge of access dome to base of pipe.




# Select the accessories to go with your NEO tank.

Premier Tech Aqua provides you with the right accessories for the desired NEO tank to match your specific requirements. You can select individual components or benefit from the complete solutions found on the following pages.




**Tank covers can be walked on** and conform with DIN 1989, resilient to permanent loads of up to 150 kg.

Tank covers to select from	Order-No.	Picture
<b>Thermo cover TopCover</b> , walk-on, made from PE, double-walled, hence better frost protection, with child safety lock	RWDS0066	
<b>Thermo cover TwinCover</b> , walk-on, made from PE, with integrated twin brass distribution points (click system), double-walled, with child safety lock	RWDS0067	
<b>Thermo cover TwinCover</b> , walk-on, made from PE, with inner lid, double-walled, with child safety lock	RWDS0068	

**Shaft extensions.** Extends the manhole for deeper underground installation

Shaft extensions to select from	Order-No.	Picture
<b>PE shaft extension VS 20</b> , walk-on, height 25 cm, Ø 60 cm, extends by up to 20 cm	RWDS0022	
<b>PE shaft extension VS 60</b> , walk-on, height 63.5 cm, Ø 60 cm, extends by up to 60 cm	RWDS0062	
<b>Spacer</b> , for extending VS 20/VS 60, height 60 cm, Ø 60 cm	RWDS0043	



**Designs that can be driven over.** Minimum soil cover 600 mm (passenger car) and/or 800 mm (truck).

„Driveable“ designs to select from	Order-No.	Picture
<b>Complete car set 1</b> , maximum axle load 2.2 t, infinitely variable height adjustment, extension 70-110 cm, consisting of steel cover, drive-over shaft BS 60 and spacer	RWDS0049	
<b>Complete car set 2</b> , maximum axle load 2.2 t, extension 60 cm, consisting of steel cover and drive-over shaft BS 60	RWDS0059	
<b>Lorry Driveable</b> (heavy truck load rating 30), maximum axle load 11.5 t, consisting of spacer, height 60 cm, class D coverage to be additionally provided by customer	RWDS0043	

## For NEO flat tanks from 15000 L.

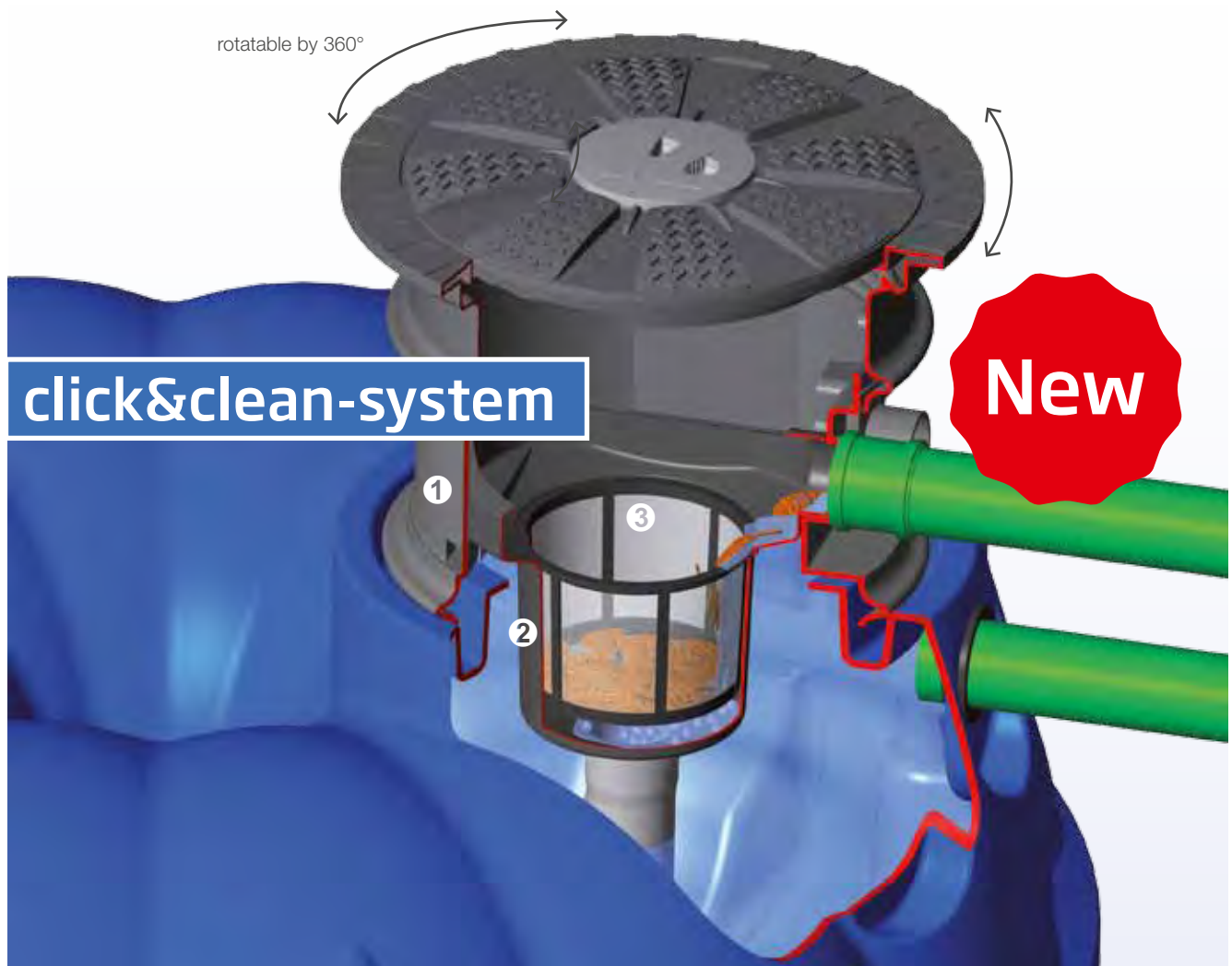
Spacer and cone for DN 800 dome opening	Order-No.	Price €	Picture
<b>Cone</b> , transition piece for the DN 800 dome opening for reduction to DN 600, all DN 600 shafts and tank covers can be used on the cone. Height 40 cm.	RWDS1080		
<b>Spacer</b> DN 800, the comfortable shaft extension for more working space, extended by 38 cm.	RWDS2080		

## Sample shaft assemblies for NEO from 15000 L.

<p><b>Sample assembly walk-on</b></p>  <p>Walk-on cover VS 20 or VS 60</p> <p>Cone</p> <p>Spacer DN 800 optional</p> <p>NEO from 15000 L</p>	<p><b>Sample assembly that cars can drive over</b></p>  <p>Car set 1</p> <p>Cone</p> <p>NEO from 15000 L</p>
--	---

# NEO filter shafts.

For filtering the rainwater, we let you select from two filter shafts to meet your requirements.



Tank covers and shaft extensions are not included in the filter shaft package.

## Filter shaft FI-1

**One-way filter: leaves and dirt particles remain in the filter basket, which is easily removable.**

- Recommended for roof areas up to 350 m<sup>2</sup>
- Flexible rotatable orientation for intake and supply pipe
- Filter housing can be installed and removed without tools, simply slide into the integrated U-profiles
- 100 % water discharge
- For clear and odour-free water thanks to optimized oxygen transfer to tank bottom
- Also ideal for subordinate soakaway systems (no rejection of dirty water)
- Can be used for garden and house systems
- Fits all REWATEC tanks
- Height 35 cm, Ø 60 cm

### Package FI-1

1. DN 600 shaft incl. sealing ring
2. Filter housing
3. Filter basket, mesh size 0.9 mm with removal rod
4. Flow-controlled inflow container (not illustrated)

Order-No.

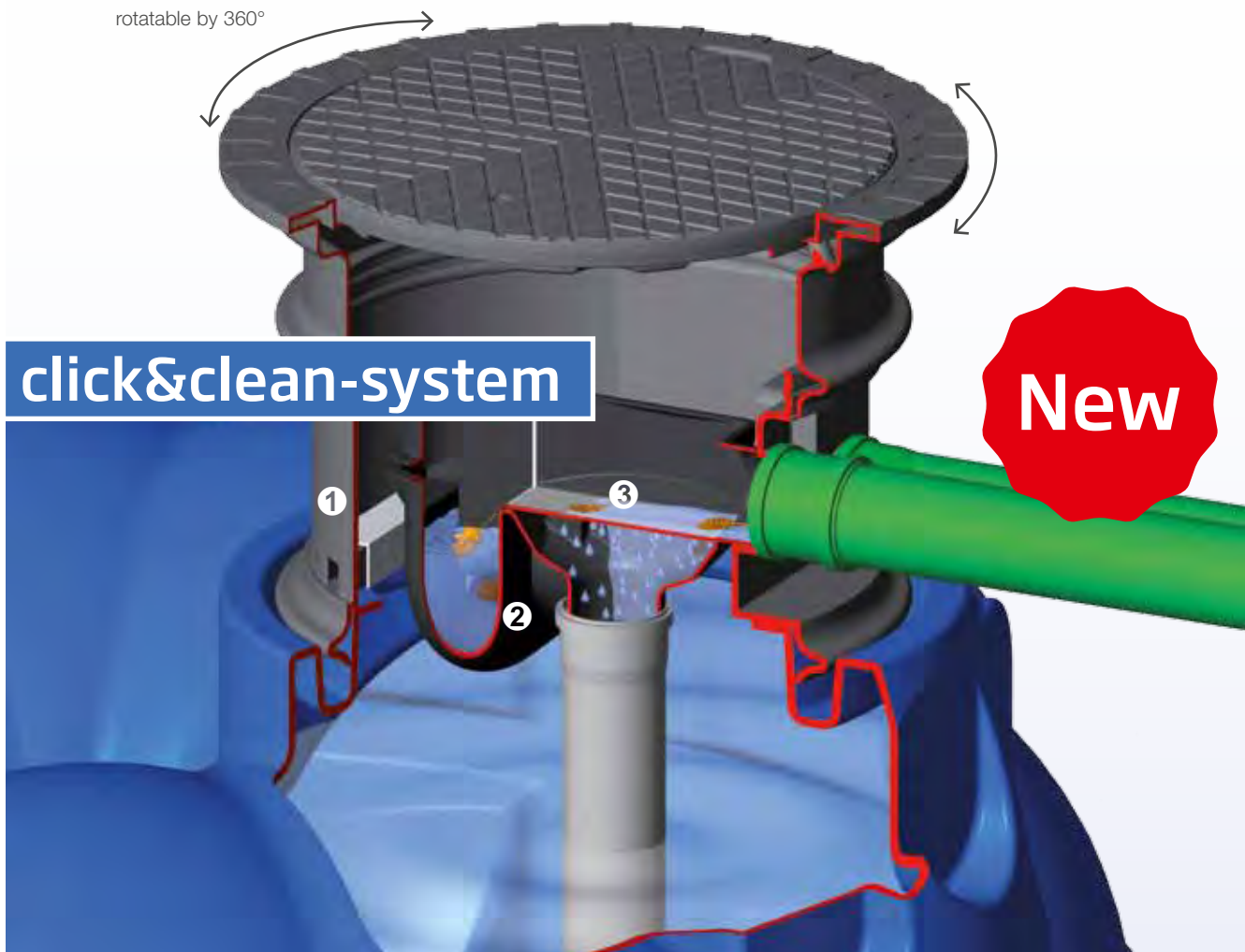
RWZT2170





# NEO filter shafts.

The integrated Premier Tech Aqua filter housings are very easy to install without tools. They can also be easily removed for checking and maintenance.



Tank covers and shaft extensions are not included in the filter shaft package.

## Filter shaft FI-2

**Two-way filter: leaves and dirt particles are automatically flushed into the overflow.**

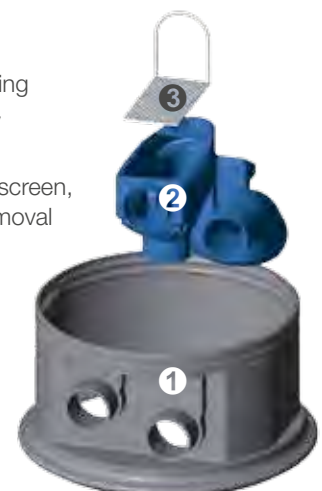
- Recommended for roof areas up to 200 m<sup>2</sup>
- Flexible rotatable orientation for intake, overflow and supply pipe
- Filter housing can be installed and removed without tools, simply slide into the integrated U-profiles
- Optimal elimination of dirty water into the overflow by means of vertical tearing edge
- Largely self-cleaning thanks to smooth screen surface (stainless steel)
- Ca. 95 % water discharge by virtue of unique hydraulics
- For clear and odour-free water thanks to optimized oxygen transfer to tank bottom
- Siphon with inspection and access opening
- Can be used for garden and house systems
- Fits all REWATEC tanks
- Height 35 cm, Ø 60 cm

### Package FI-2

1. DN 600 shaft with sealing ring
2. Filter housing with integrally moulded siphon
3. Stainless steel wedge wire screen, mesh size 0,5 mm, with removal handle
4. Flow-controlled inflow container (not illustrated)

Order-No.

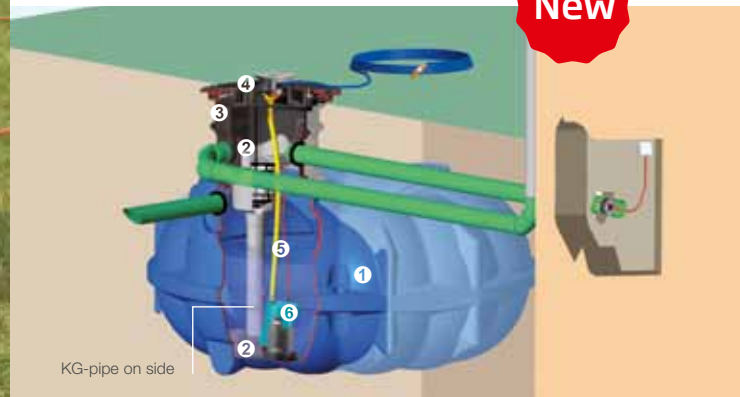
RWZT2171





## Your benefit: the Eco system has everything you need!

1. **NEO flat tank**
2. Filter shaft FI-1 incl. filter basket in PE housing plus calmed inlet container (wastewater disposal pipe to be provided by customer)
3. Shaft extension VS 20 as end unit
4. **Tank-cover TwinCover** walk-on, with integrated twin distribution points (click system)
5. 4 m pressure hose (pump/tank cover connection)
6. **Submersible pressure pump**  
GARDENA Comfort or BlueRain



KG-pipe on side

# Garden system NEO Eco

Convenient and practical: with water distribution point in the tank cover.

With this complete system, you can very easily use the twin water distribution points in the tank cover. The unit can be walked on.

### Practical water supply:

#### TwinCover tank cover

- Thermo cover with integrated twin brass water distribution points
- Simply slip on the garden hose (click system), open the tap and the water comes out.



### Select from 2 submersible pressure pumps:

#### Our standard pump: GARDENA Comfort

- Motor output 500 W, two-stage
- Automatic switch-on and switch-off
- Max. discharge head 20 m, max. discharge 4,000 l/h



#### For more power: BlueRain

- Motor output 900 W, three-stage
- Automatic switch-on and switch-off
- Max. discharge head 36 m, max. discharge 5,700 l/h

or



### For car driveable options:

Find out more in our main catalogue at [www.rewatec.de](http://www.rewatec.de).



### Price overview:

From 8,000 litres:  
shippable in April 2015!

#### NEO Eco system with GARDENA Comfort pump

Tank type*	Order-No.
NEO 1500 L	RWNE1511
NEO 3000 L	RWNE3011
NEO 5000 L	RWNE5011
NEO 8000 L	RWNE8011
NEO 10000 L	RWNE1X11

\* Please see our main catalogue at [www.rewatec.de](http://www.rewatec.de) for more information on the system-dependent tank capacities.

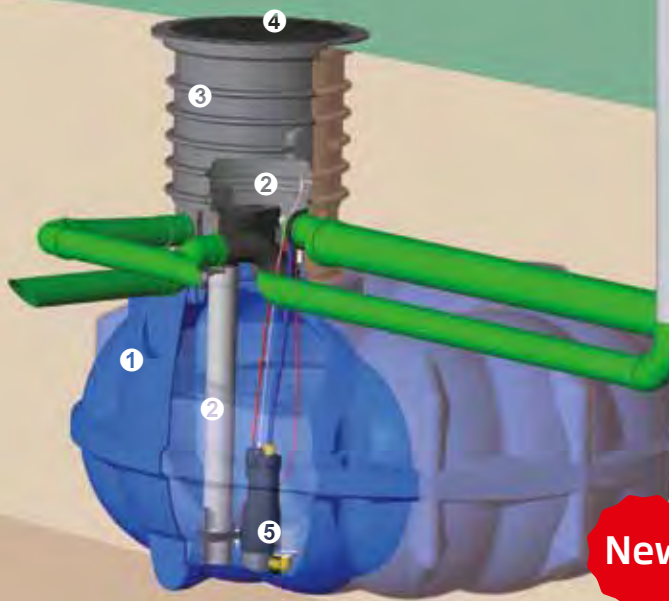
#### With BlueRain submersible pressure pump (surcharge)

For all tank types	Additional-Order-No. not driveable
BlueRain pump	RWZT9019

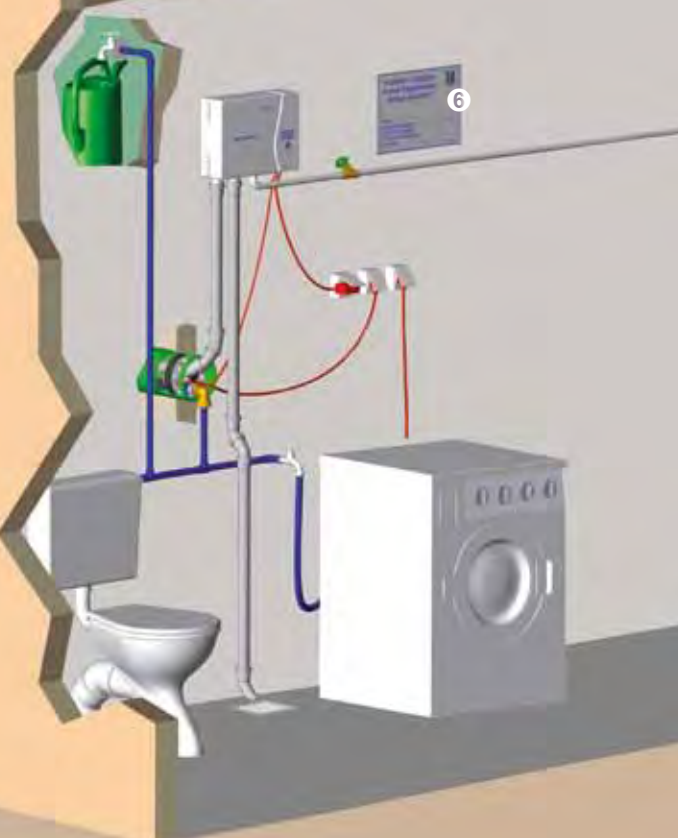
With the additional order no. for your selected system, the GARDENA pump will be replaced by the more powerful BlueRain Pump (for an additional power).

### Recommended accessories:

Level indicator, soakaway igloo(s) for the tank overflow, see main catalogue at [www.rewatec.de](http://www.rewatec.de).



**New**



## Your benefit: the Diver system has everything you need!

1. NEO flat tank
2. Filter shaft FI-2 incl. filter housing with integrally moulded siphon, stainless steel wedge wire screen and calmed intake
3. Shaft extension VS 20
4. Tank-cover TopCover walk-on

5. **Submersible pressure pump Diver**
6. Labelling set

# Domestic system NEO Diver

## Pressure principle without mains replenishment.

The rainwater is pumped into the building by a submersible pressure pump. Automatic replenishment from the mains is available as an accessory. The system can be walked on.

### System principle, benefits and technical data for the submersible pressure pump:

#### Pressure principle without mains water replenishment

The rainwater is pumped to the taps in the building by the submersible pressure pump within the tank. If the tank is empty, it can be filled up with mains water manually. Alternatively, automatic mains water replenishment is optionally available as an accessory.

#### For greater distances between the tank and building

The powerful Diver 1.200 submersible pressure pump will also bridge greater distances between the tank and building (up to 50 m). The four-stage centrifugal pump is installed directly in the tank and controlled by the integrated pressure monitor.

#### Technical data

1,200 W, discharge head 45 m,  
max. discharge 5.7 m³/h



#### For car driveable options:

Find out more in our main catalogue at [www.rewatec.de](http://www.rewatec.de).



### Price overview: NEO Diver system

From 8,000 litres:  
shippable in April 2015!

Tank type*	Order-No. not driveable
NEO 1500 L	RWNE1552
NEO 3000 L	RWNE3052
NEO 5000 L	RWNE5052
NEO 8000 L	RWNE8052
NEO 10000 L	RWNE1X52

\* Please see our main catalogue at [www.rewatec.de](http://www.rewatec.de) for more information on the system-dependent tank capacities.

### Recommended accessories:

Accessory	Order-No.
Diver pump connection set	RWZT0023
DN 150 wall duct set	RWZT0007
Automatic mains water supply Aqua-Flow 2.13	RWZT9005



# Rewatec. Guaranteed quality from Germany.

Rewatec has stood for innovation and quality since 1993. Our experience with **over 10,000 rainwater and waste water systems** a year enables us to provide you with quality products at a convincing price-benefit ratio. One important guarantor of this is the manufacturing, exclusively performed in Mecklenburg-Vorpommern.

All Rewatec containers are made from environment-friendly PE (polyethylene). Our stress-free rotomoulding process helps us obtain unparalleled robustness. What this means for you is permanent protection from fractures and cracks. We vouch for this quality and longevity **with our 35-year warranty** for the NEO flat tank.

**Infoline:**  
**Mo.–Fr. 8.00 to 17.00**  
**+ 49 (0) 40 / 769 164 0**



The rotomoulding process ensures an optimal distribution of the material.

Dealer's stamp:

**Guarantee:** Correct installation of the underground tank in accordance with the installation instructions is essential to ensure a lifetime of several decades for your system, and for the manufacturer's warranty. This warranty only relates to the respective underground tank and not to individual parts or accessories, even if they are included in the package price. Please take note of the warranty certificate enclosed with the installation instructions. We reserve a tolerance of +/- 3 % for all dimensional and content specifications. In the event that we concede a defect, we will replace the material concerned free of charge – all benefits/payments over and beyond this are excluded. All warranties exclude damage caused by inappropriate use, deficient assembly or poor maintenance.

**Freight:** Our trading partner in your region would be delighted to inform you about the delivery terms. Subject to technical changes and errors excepted.



PREMIER TECH AQUA GmbH  
Bei der Neuen Münze 11  
22145 Hamburg · GERMANY  
☎ +49 (0) 40 / 769 164 - 0  
✉ +49 (0) 40 / 769 164 - 30  
ptad@premiertech.com  
[www.premiertechaqua.de](http://www.premiertechaqua.de)