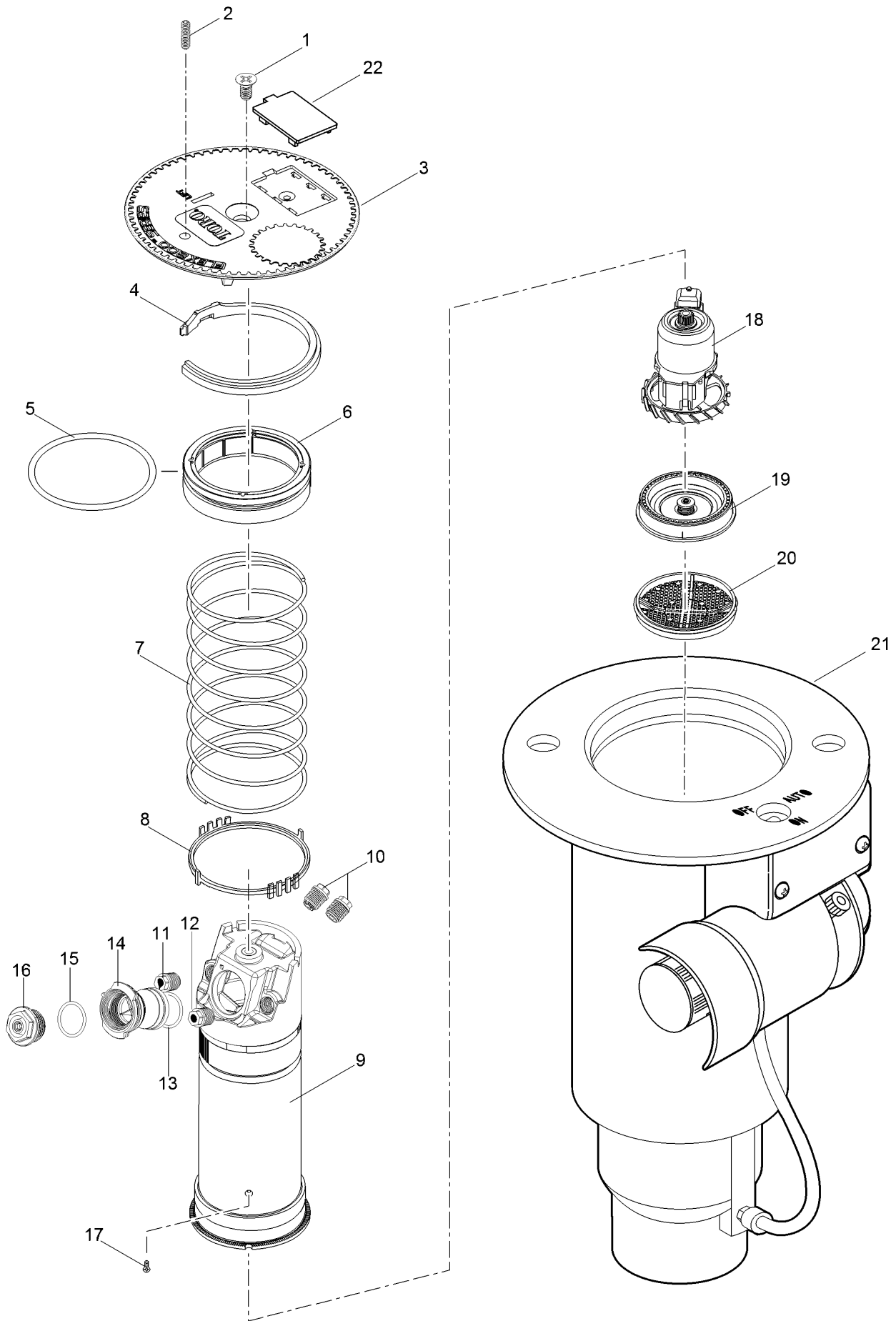


FLX35 Series Golf Sprinkler w/ Dual Trajectory



FLX35 Series Golf Sprinkler w/ Dual Trajectory (continued)

Ref.	Part Number	Qty.	Description	Ref.	Part Number	Qty.	Description
1	102-6138	1	Screw, Cap, Black	16	102-6907	1	Nozzle, Main, #33, Brown
2	363-4839	1	Radius Reduction Screw	16	102-0728	1	Nozzle, Main, #34, Orange
3	118-6918	1	Cap, Flx34 (Black)	16	102-6955	1	Nozzle, Main, #35, Green
3	118-6919	1	Cap, Flx34, Effluent (Lavender)	16	102-6935	1	Nozzle, Main, #36, Gray
4	89-1385	1	Snap Ring, Riser	16	102-6936	1	Nozzle, Main, #37, Black
5	363-4102	1	O-Ring, Paraffin As-568 232	16	118-1521	1	Main Nozzle Adapter
6	102-0134	1	Retainer, Seal	17	363-4236	1	Screw, Drive
7	102-0151	1	Spring, Return	18	102-4504	1	Drive Assy., 12-Pack
8	102-2619	1	Ratchet Ring, 1"	19	102-6929	1	Stator, Low Flow, High Velocity, Blue (Used With #30 Main Nozzle)
9	118-1079	1	Riser Assembly	19	102-1939	1	Stator Assembly, Low Flow, Yellow (Used With #31-34 Main Nozzles)
10	102-4335	2	Plug, Nozzle	19	102-1940	1	Stator Assembly, Medium Flow, White (Used With #35-37 Main Nozzles)
11	102-5670	1	Nozzle Assy. Inner, Yellow W/ White Helical Restrictor (Used With #30-35 Main Nozzles)	20	102-1715	1	Screen, Riser
11	102-6531	1	Nozzle Assy., Inner, Green W/ White Helical Restrictor (Used With #36-37 Main Nozzles)	21		1	Body Assembly (See Golf Body Assembly Section.) ▲
12	102-6942	1	Intermediate Nozzle Assy., Beige W/ Stream Straightener (Used With #30 Main Nozzle)	22	89-1589	1	Plug, Cap (Black)
12	102-5671	1	Intermediate Nozzle Assy., Brown W/ Stream Straightener (Used With #31 Main Nozzle)	22	118-1103	1	Plug, Cap (Lavender)
12	102-6884	1	Intermediate Nozzle, Yellow (Used With #32-34 Main Nozzles)		995-08	1	Valve Removal Tool ■●
12	102-6885	1	Intermediate Nozzle, Green (Used With #35-37 Main Nozzles)		995-76	1	Valve Insertion Tool ■●
13	102-5978	1	O-Ring, Nozzle Housing		995-15	1	Selector Tool (Flag Key) ■●
14	102-5597	1	Nozzle Housing Assy.		995-99	1	Nut Driver, 5/8" (For Main Nozzle) ■●
15	363-4978	1	O-Ring, Main Nozzle		995-105	1	Nut Driver, 5/16" (For Inner & Intermediate Nozzles And Plugs) ■●
16	102-2208	1	Nozzle, Main, #30, Blank, White		995-83	1	Multi-Purpose Tool ■●
16	102-6906	1	Nozzle, Main, #31, Yellow		995-85	1	Riser Removal Tool ■●
16	102-0726	1	Nozzle, Main, #32, Blue		995-100	1	Valve Snap Ring Pliers With Screen Remover ■●
					995-102	1	Riser Hold-Up Tool, Universal ■●
					118-0954	1	Riser Hold-Up Tool, Red ■●
					102-5672	1	Cap, Blank ■●
					102-5673	1	Cap, Blank, Effluent ■●
					995-82	1	Arc Adjustment Tool, 3/32" ●

● SERVICE ITEMS
▲ Not serviced separately

■ Not illustrated