

Model MS

Multi-Jet Magnetic Water Meter



The Multi Jet Silver is a revolutionized water-meter with superior performances which exceeds all known products in the industry. The meter offers very accurate registration in extreme flows, contributing to the revenues of the assigned customer.

Applications

For domestic, agriculture and industrial use

Available Sizes

1 1/2" - 2" (40mm - 50mm)

Standards

MID 2014/32/EU (based on OIML R49 EN 14154 and ISO 4064:2014), WRAS (for 40mm)

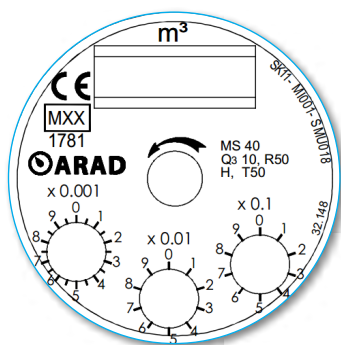
Features

By incorporating revolutionized hydraulic design the meter has superior performances.

- Incorporates unique magnetic transmission which avoids disconnection.
- Eliminates any previous installment requirements for straight pipe section of 10D 5D upstream and downstream respectively.
- Optional Electrical Output: EV, Dialog 3G, ER, EF (M meters with EF register do not meet the MID standard).

Technical Specifications

Maximum Working Pressure	10 bar
Maximum Working Temperature	50°C
Body	Corrosion proof copper alloy Cast iron upon request
Coupling threads	BSP, NPSM



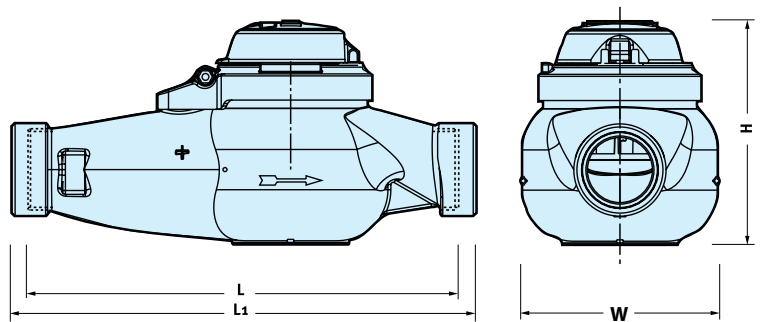
MS type dial

Model MS

Multi-Jet Magnetic Water Meter

Dimensions

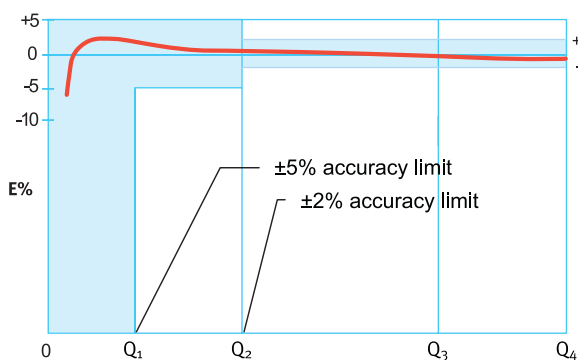
Model		MS40	MS50
Nominal size	(mm)	40	50
	(inch)	1½	2
L - Length without couplings (mm)		300	300
L ₁ - Length with couplings (mm)		435	460
B - Width (mm)		125	160
H - Height (mm)		140	190
Weight (kg)		4.1	8
Weight with couplings (kg)		5.1	9.4



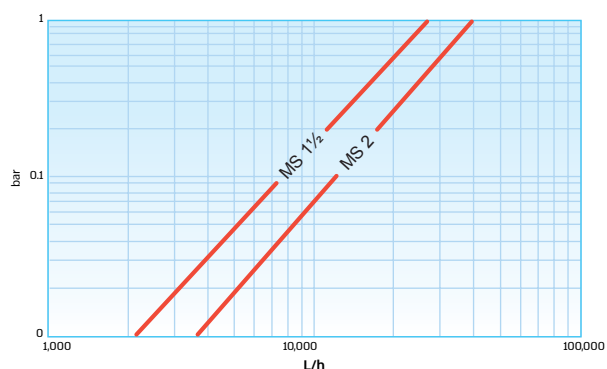
Performance data:

Model	Nominal size (inch)	Q1 Minimum flowrate (m³/h)	Q2 Transitional flowrate (m³/h)	Q3 Nominal flowrate (m³/h)	Q4 Maximum flowrate (m³/h)	R Q3/ Q1	Indicating range (m³/h)	Smallest readable unit (liter)	Accuracy between Q4 & Q2	Accuracy between Q2 & Q1
MS40	1½	0.10	0.16	10	12.5	100	999,999	0.5	±2%	±5%
MS40	1½	0.20	0.32	16	20	80				
MS50	2	0.32	0.512	16	20	50				

Accuracy Curve



Head Loss Curve



Installation Requirements

- The meter must be installed in horizontal position dial face up.
- Pipeline must be flushed before installation.
- The meter should be constantly full of water.