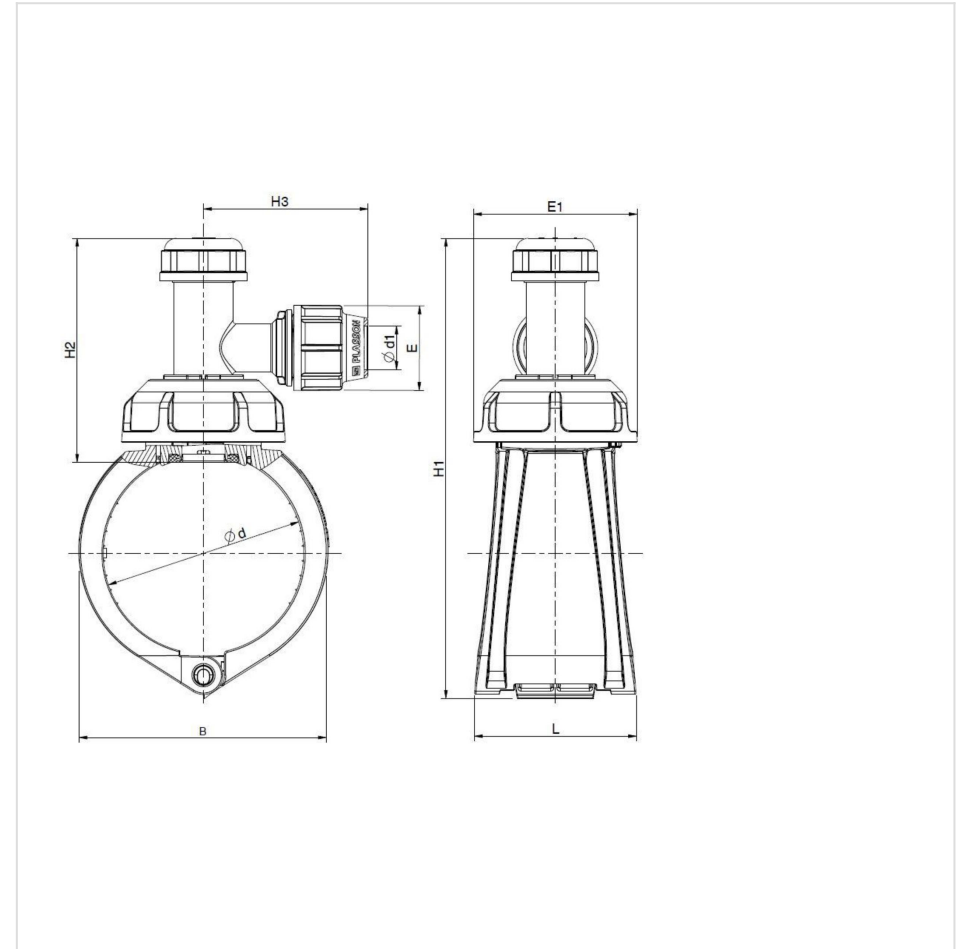


# PLASSADDLE TAPPER - 16310

#16310



**Body Material:** Glass reinforced polypropylene

**Nut Material:** Glass reinforced polyamide;

**Seal Material:** EPDM

## Family Products

Product Code	d <sub>mm</sub>	d1 <sub>mm</sub>	B <sub>mm</sub>	E <sub>mm</sub>	E1 <sub>mm</sub>	H1 <sub>mm</sub>	H2 <sub>mm</sub>	L <sub>mm</sub>	Pressure Rating Water	Weight <sub>g</sub>	Unit Per Bag	Unit Per Carton
163100063025	63	25	91	54	102	231	144	89	PN 16	640	1	30
163100063032	63	32	91	64	102	231	144	89	PN 16	670	1	30
163100090025	90	25	119	54	102	258	144	94	PN 16	-	1	-
163100090032	90	32	119	64	102	258	144	94	PN 16	750	1	25
163100110025	110	25	141	54	102	273	144	97	PN 16	-	1	-
163100110032	110	32	141	64	102	273	144	97	PN 16	-	1	-
163100122025	122	25	157	54	102	290	144	100	PN 16	-	1	-
163100122032	122	32	157	64	102	290	144	100	PN 16	-	1	-
163100125025	125	25	157	54	102	290	144	100	PN 16	823	1	24
163100125032	125	32	157	64	102	290	144	100	PN 16	850	1	20
163100160025	160	25	198	54	102	325	144	106	PN 16	-	1	-
163100160032	160	32	198	64	102	325	144	106	PN 16	-	1	-
163100177025	177	25	220	54	102	350	144	110	PN 16	-	1	-

<b>Product Code</b>	<b>d<sub>mm</sub></b>	<b>d<sub>1mm</sub></b>	<b>B<sub>mm</sub></b>	<b>E<sub>mm</sub></b>	<b>E<sub>1mm</sub></b>	<b>H<sub>1mm</sub></b>	<b>H<sub>2mm</sub></b>	<b>L<sub>mm</sub></b>	<b>Pressure Rating Water</b>	<b>Weight<sub>g</sub></b>	<b>Unit Per Bag</b>	<b>Unit Per Carton</b>
163100177032	177	32	220	64	102	350	144	110	PN 16	-	1	-
163100180025	180	25	220	54	102	350	144	110	PN 16	1070	1	16
163100180032	180	32	220	64	102	350	144	110	PN 16	1100	1	16