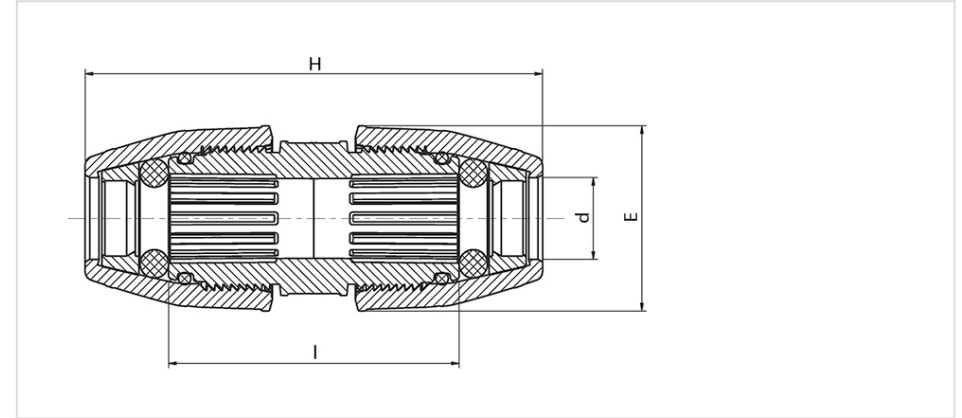


# UNIVERSAL SLIP REPAIR COUPLER - 176100

#176100



**Body Material:** Polypropylene, high-grade copolymer.

**Nut Material:** Polypropylene, high-grade copolymer.;

**Split Ring Material:** Polyacetal + Stainless Steel

**Seal Material:** NBR

## Family Products

Product Code	d <sub>mm</sub>	E <sub>mm</sub>	H <sub>mm</sub>	I	Pressure Rating Water	Weight <sub>g</sub>	Unit Per Carton
176100014018	14-18(0.55"-0.71")	54(2.13")	180(7.09")	119(4.69")	PN 16 (230PSI)	220(0.49)	120
176100019022	19-22(0.75"-0.87")	58(2.28")	180(7.09")	119(4.69")	PN 16 (230PSI)	250(0.55)	90
176100024028	24-28(0.94"-1.1")	66(2.6")	200(7.87")	133(5.24")	PN 16 (230PSI)	345(0.76)	56
176100031035	31-35(1.22"-1.37")	76(2.99")	210(8.27")	143(5.63")	PN 16 (230PSI)	467(1.03)	40
176100040043	40-43(1.57"-1.69")	89(3.5")	250(9.84")	151(5.94")	PN 16 (230PSI)	717(1.58)	30
176100048051	48-51(1.89"-2.00")	101(3.98")	270(10.63")	158(6.22")	PN 16 (230PSI)	968(2.13)	20
176100060064	60-64(2.36"-2.52")	120(4.72")	310(12.2")	176(6.93")	PN 16 (230PSI)	1517(3.34)	10