

# 3703 Mains stop valve

Full bore 1/4 turn ball valve for mains isolation.



Manufactured from glass reinforced polyamide, the 3703 now provides an alternative solution to the traditionally used gunmetal and dZR stop valves.

The 3703 is a UK Water Reg4 approved stop valve for 1½"/50mm and 2"/63mm mains pipe manufactured from non metallic materials. The ¾" (DN20) - 2" (DN50) range give a full bore alternative to the standard stop tap.

Approved to BS8588:2017 the 3703 is the new standard for use on barrier pipes in contaminated ground, at all sizes.

A version is available which has drain/test ports on one end of the valve (for above ground use only).



## KEY FEATURES

- Non metallic primary stop valve, rated PN16.
- Full bore (ultra-low headloss).
- Quarter turn operation.
- Double 'O' ring sealed spindle for reliability.
- Options for drain/test port (above ground use).
- BS8588:2017 approved (contaminated ground).
- GRP polyamide - corrosion resistant for long service life.
- Lead free.



# 3703 Mains stop valve

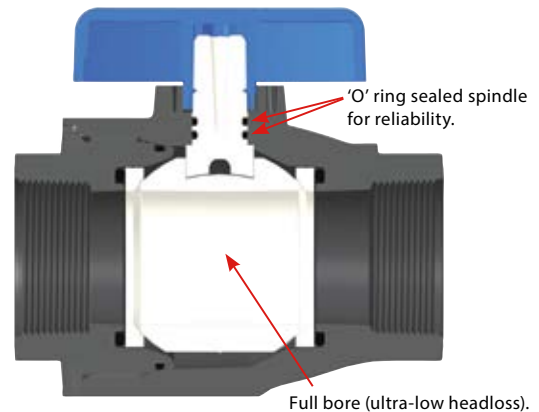
Manually operated shut off valve, ¾" DN<sup>20</sup> - 2" DN50.

Above and below ground use valve.

- ¾"-1¼" block type handle.
- 1½" and 2" universal stop tap key handle.

Drain option, above ground use only.

- Drain port ISO7/1 BSP thread.
- ¾"-1¼" block type handle.
- 1½" and 2" lever handle.



Locked and sealed body parts ensure system integrity



Double seal on spindle to prevent leakage



Removable tamper resistant handle

Easily identifiable drain port option:

- Blue dot - no drain port
- Black plug- optional drain port



Service valve for sampling or drainage



Pressure gauge for monitoring the pressure in the system



Two drain port option

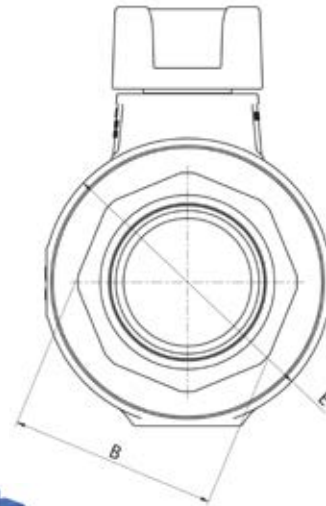
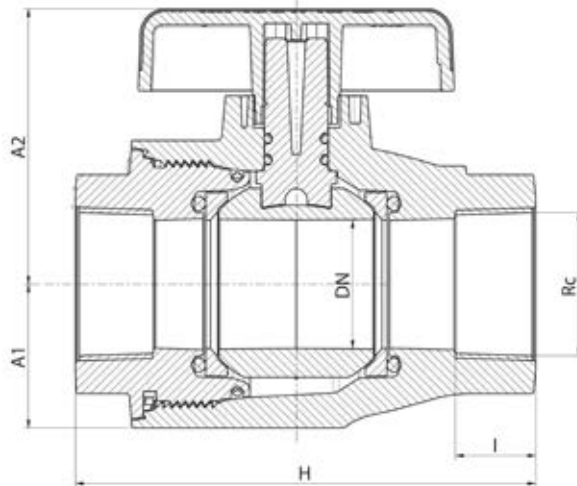


2" valves available with locking plate.

## Technical Details:

Application:	Mains Stop Valve for Above & Below Ground Use
Body & Spindle:	Glass reinforced polyamide
Ball:	Glass reinforced polypropylene
Ball Seat:	Polymeric
Handle:	Polypropylene
Seals:	EPDM
Threads:	BSP
Pressure rating:	Water PN 16

# 3703 Mains stop valve



¾", 1" & 1¼"  
Standard handle



1½" & 2"  
Universal Valve key



50mm & 63mm  
Universal Valve key

## Without drain

For Above and Below Ground Use

Code (no) Drain Above & Below Ground	size	DN x Rc	A1	A2	H	I	B	E	W	Box Qty
PV0370300007	¾"	20 x ¾"	27	54	97	17	36	53	175	72
PV0370300010	1"	25 x 1"	33	64	116	21	46	64	313	72
PV0370300013	1¼"	32 x 1¼"	36	70	118	20	55	73	393	48
PV037030U0015	1½"	40 x 1½"	45	87	144	24	65	91	712	30
PV037030U0020	2"	50 x 2"	53	97	162	29	75	100	918	24
PV0370300050	50mm	(1½" valve, with 7020 50mm x 1½" Male Adaptor <sup>1</sup> )								
PV0370300063	63mm	(2" valve, with 7020 63mm x 2" Male Adaptor <sup>1</sup> )								

## With drain

for Above Ground use only



¾", 1" & 1¼"  
Standard handle



1½" & 2"  
Lever handle

Code With Drain Above Ground only	size	DN x Rc	Rp*	A1	A2	H	I	B	E	W	Box Qty
PV037030F007	¾"	20 x ¾"	1/8"	27	54	97	17	36	53	175	72
PV037030F010	1"	25 x 1"	1/8"	33	64	116	21	46	64	313	72
PV037030F013	1¼"	32 x 1¼"	¼"	36	70	118	20	55	73	393	48
PV037030F015	1½"	40 x 1½"	¼"	45	87	144	24	65	91	712	30
PV037030F020	2"	50 x 2"	¼"	53	97	162	29	75	100	918	24

\* Drain ports ISO 7/1 Rp, BSP thread.