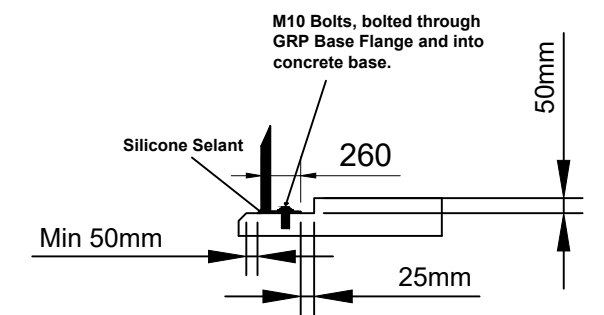


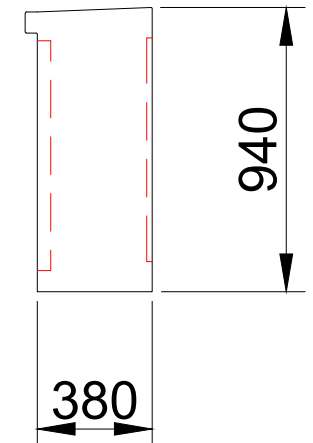
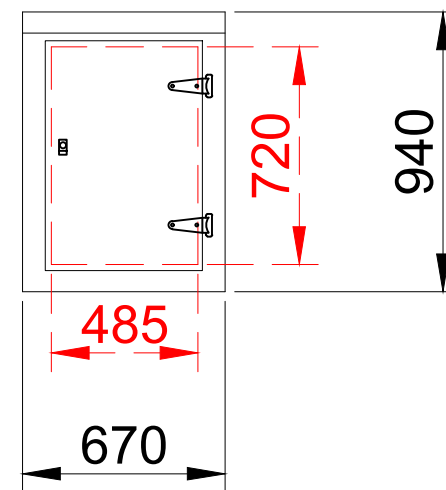
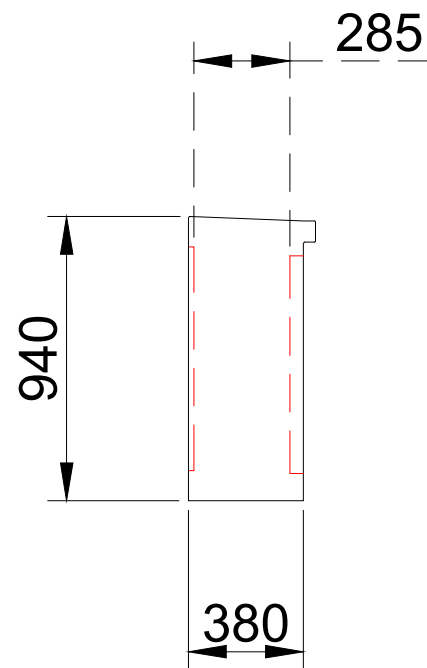
**Typical Stepped Concrete Base Detail (Recommended)**



**NOTES:**

**SINGLE DOOR:**

- 1no. 535mm Wide x 820mm High
- 2no. Stainless Steel Hinges
- 1no. Cylinder Night Latch Lock or Hasp & Staple



**WALL 2**

**WALL 1**

**WALL 4**

		External Finish: Semi Gloss	Internal Color: White	External Color: T.B.C.
		Fire Resistance: BS476 Part 22- 1/2 hr.	Base Flange: GRP	Roof Construction: GRP
DWG #	ST5	Doors: 1no. Single Door 485mm x 720mm (H)	Ventilation:	Wall Construction: GRP
Rev		Date	10/11/15	Scale
				N/A