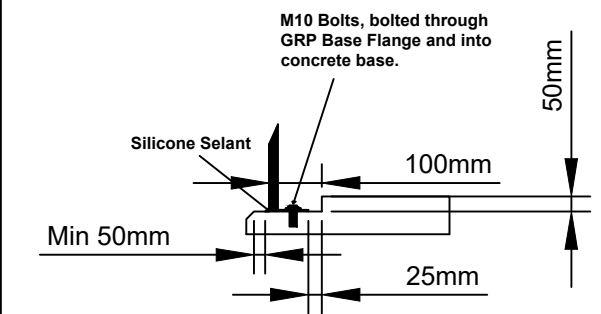


WALL 3

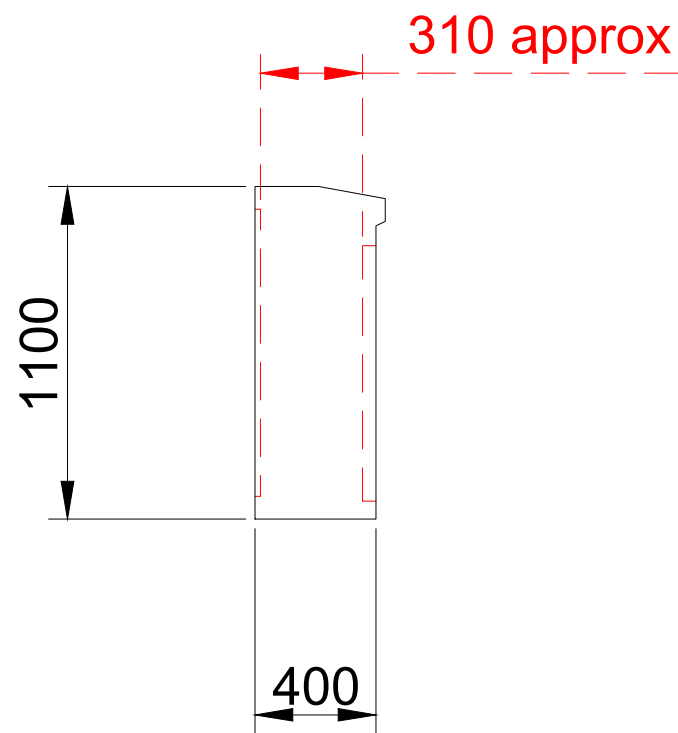
Typical Stepped Concrete Base Detail (Recommended)



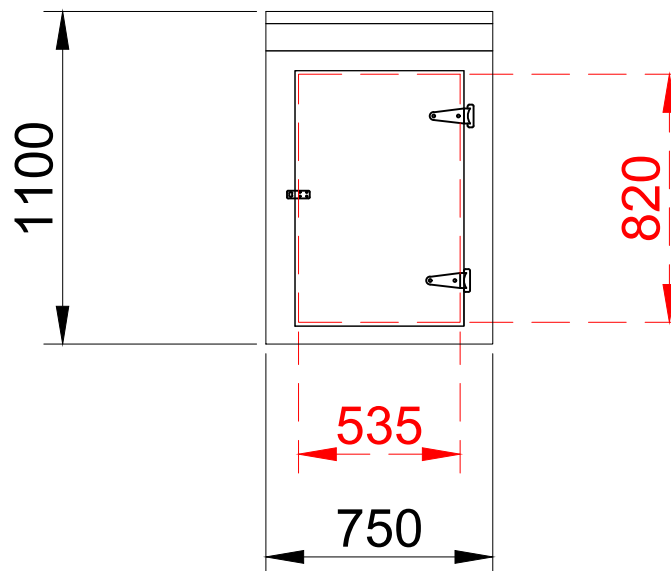
NOTES:

SINGLE DOOR:

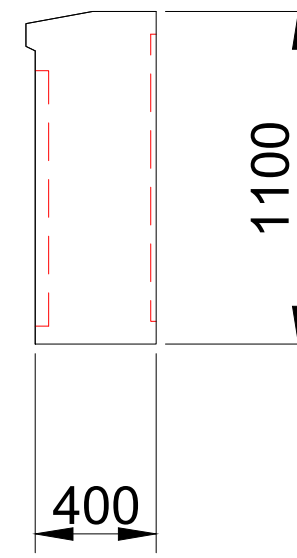
- 1no. 535mm Wide x 820mm High
- 2no. Stainless Steel Hinges
- 1no. Cylinder Night Latch Lock or Hasp & Staple



WALL 2



WALL 1



WALL 4

External Finish: Semi Gloss

Internal Color: White

External Color: .

Fire Resistance: BS476 Part 22- 1/2 hr.

Base Flange:

Roof Construction: GRP

Doors: 1no. Single Door 535mm x 820mm (H)

Ventilation:

Wall Construction: GRP

DWG #	ST3	Rev	Date	Scale	N/A
-------	-----	-----	------	-------	-----