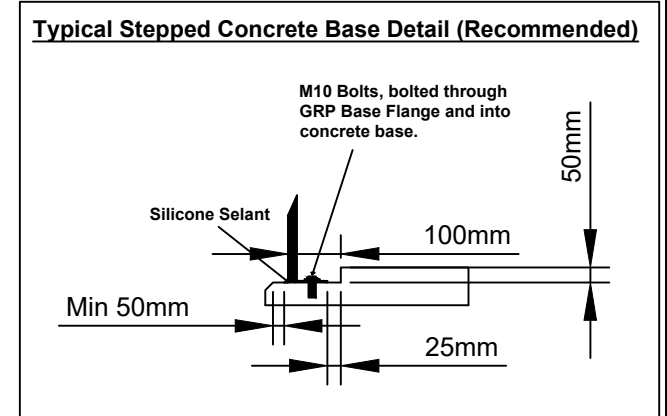
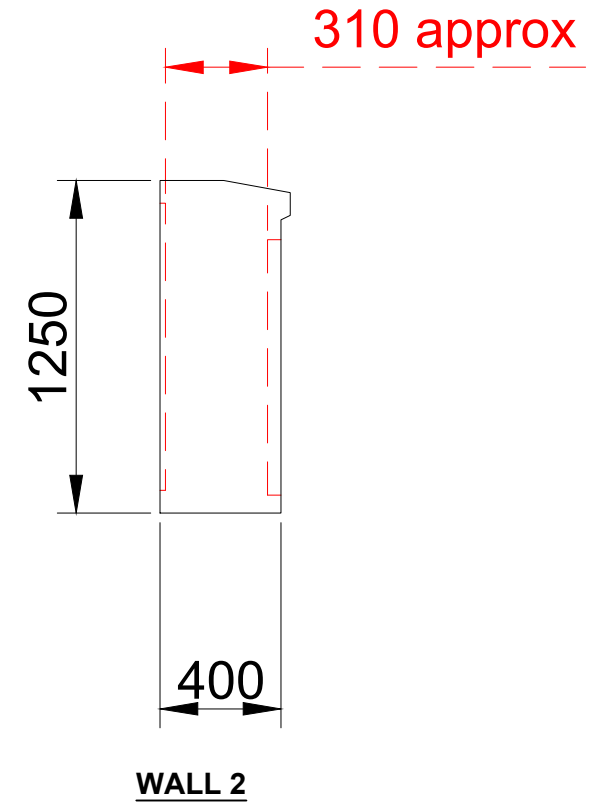


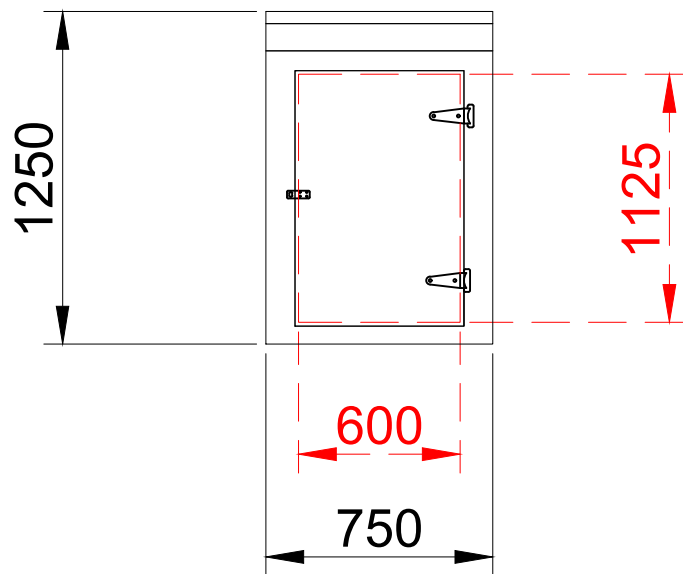
WALL 3



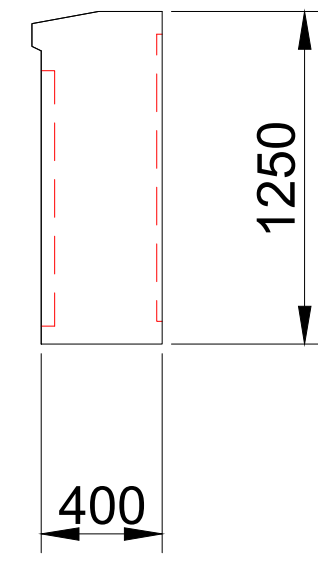
NOTES:
SINGLE DOOR:
 1no. 600mm Wide x 1125mm High
 2no. Stainless Steel Hinges
 1no. Cylinder Night Latch Lock or Hasp & Staple



WALL 2



WALL 1



WALL 4

		External Finish: Semi Gloss	Internal Color: White	External Color: T.B.C.
		Fire Resistance: BS476 Part 22- 1/2 hr.	Base Flange:	Roof Construction: GRP
DWG #	ST4	Doors: 1no. Single Door 600mm x 1125mm (H)	Ventilation:	Wall Construction: GRP
Rev		Date	10/11/15	Scale
				N/A