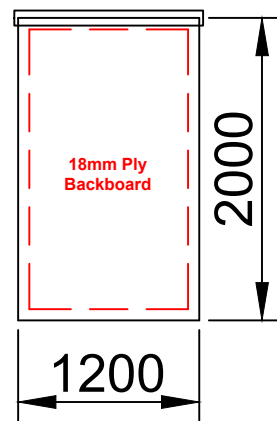
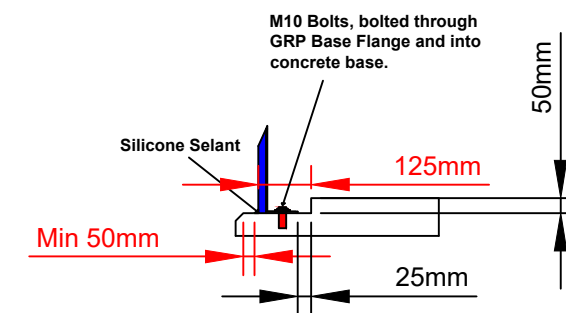


**ENCLOSURE PLAN VIEW 1**



**ENCLOSURE REAR VIEW 4**

**Typical Stepped Concrete Base Detail (Recommended)**



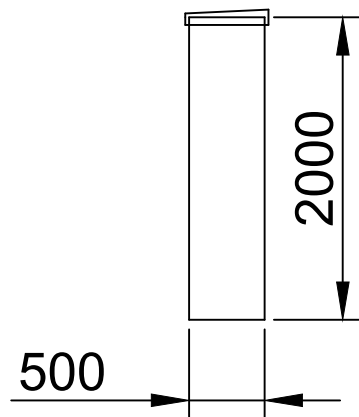
**NOTES:**

**SINGE DOOR:**

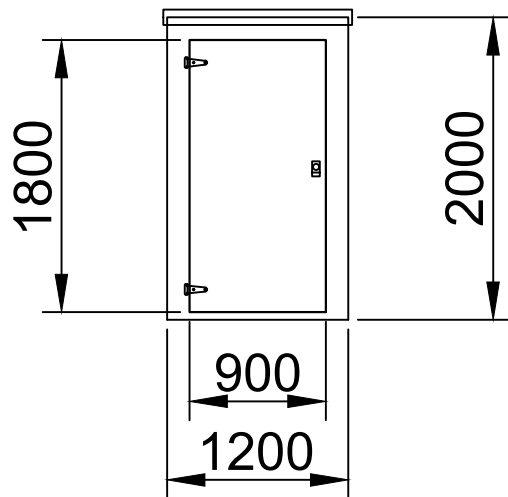
- 1no. 900mm Wide x 1800mm High
- 2no. Stainless Steel Hinges
- 1no. Stainless Steel Hasp & Staple or Yale type lock

**BACKBOARD:**

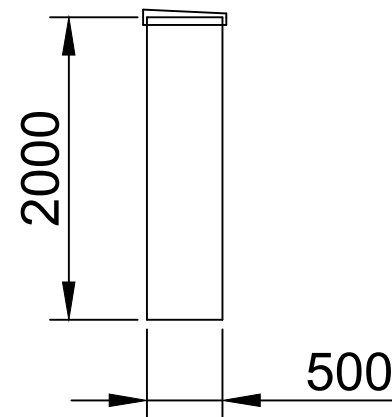
- 1no. 18mm Ply Surface Treated Backboard



**EXTERNAL ELEVATION WALL 2  
(SIDE WALL)**



**EXTERNAL ELEVATION WALL 1  
(FRONT WALL)**



**EXTERNAL ELEVATION WALL 3  
(SIDE WALL)**

*External Finish:* Semi-Gloss: Smooth

*Internal Color:* White

*External Color:* T.B.C.

*Fire Resistance:* BS476 Part 22- 1/2 hr.

*Base Flange:* 100mm GRP Base Flange

*Roof Construction:* Single Skin GRP

*Doors:* 1no. Single Door 900mm x 1800mm (H)

*Ventilation:*

*Wall Construction:* Single Skin GRP

DWG #	DT7	Rev		Date	22-09-16	Scale	N/A
-------	-----	-----	--	------	----------	-------	-----