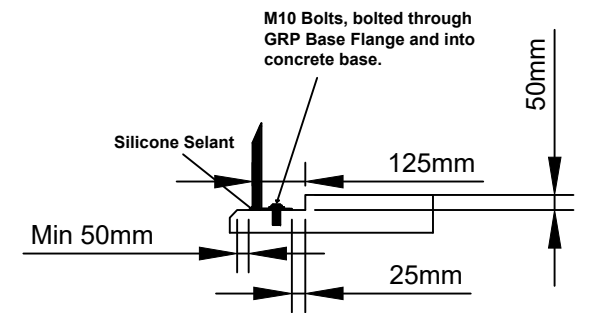


Typical Stepped Concrete Base Detail (Recommended)



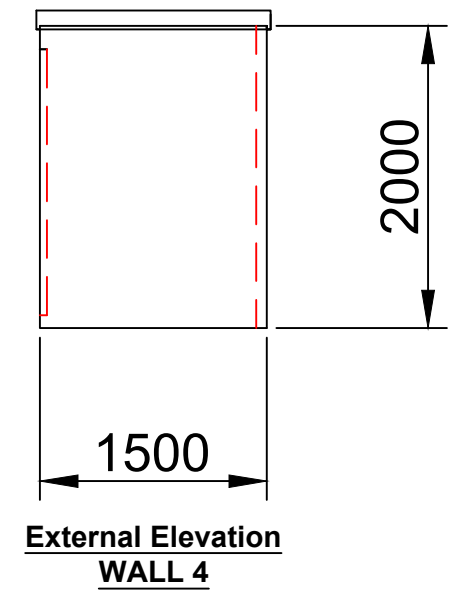
NOTES:

DOUBLE DOOR:

- 1no. 1760mm Wide x 1760mm High Clear Opening
- 4no. Stainless Steel Hinges
- 2no. Stainless Steel Spring Tower Bolts
- 1no. Cylinder Night Latch Lock or Hasp & Staple

OPTIONAL EXTRAS

- SINGLE SKIN FLOOR
- LOAD BEARING FLOOR
- CAT FLAP
- ELECTRICS
- VENTS



		<i>External Finish:</i> SEMI GLOSS		<i>Internal Color:</i> White		<i>External Color:</i> T.B.C.	
		<i>Fire Resistance:</i> BS476 Part 22- 1/2 hr.		<i>Base Flange:</i> 100mm GRP Base Flange		<i>Roof Construction:</i> GRP	
DWG #	WT3	Rev		Date	27/07/20	Scale	N/A
		<i>Doors:</i> 1no. Double Door 1760mm x 1760mm (H)		<i>Ventilation:</i>		<i>Wall Construction:</i> GRP	