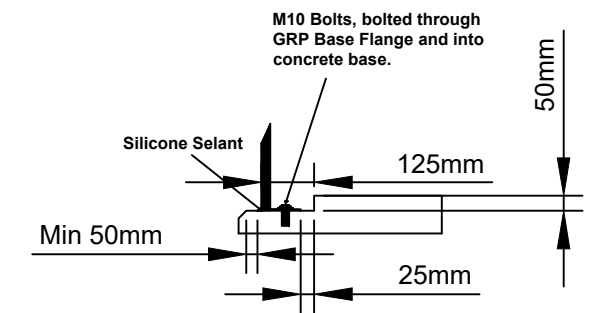


Typical Stepped Concrete Base Detail (Recommended)

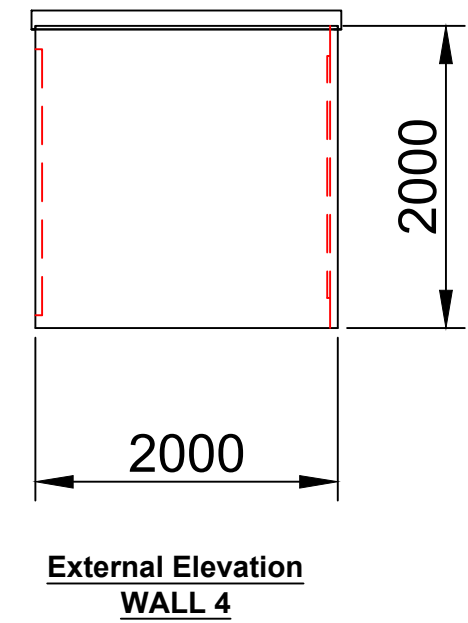


NOTES:

- DOUBLE DOOR:**
 1no. 1760mm Wide x 1760mm High Clear Opening
 4no. Stainless Steel Hinges
 2no. Stainless Steel Spring Tower Bolts
 1no. Cylinder Night Latch Lock or Hasp & Staple

OPTIONAL EXTRAS

- SINGLE SKIN FLOOR
 LOAD BEARING FLOOR
 CAT FLAP
 ELECTRICS
 VENTS



		External Finish: SEMI GLOSS	Internal Color: White	External Color: T.B.C.
		Fire Resistance: BS476 Part 22- 1/2 hr.	Base Flange: 100mm GRP Base Flange	Roof Construction: GRP
DWG #	WT4	Doors: 1no. Double Door 1760mm x 1760mm (H)	Ventilation:	Wall Construction: GRP
Rev		Date	27/07/20	Scale
				N/A