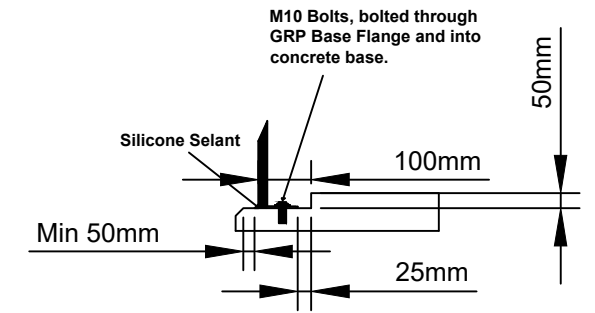


WALL 3

**Typical Stepped Concrete Base Detail (Recommended)**

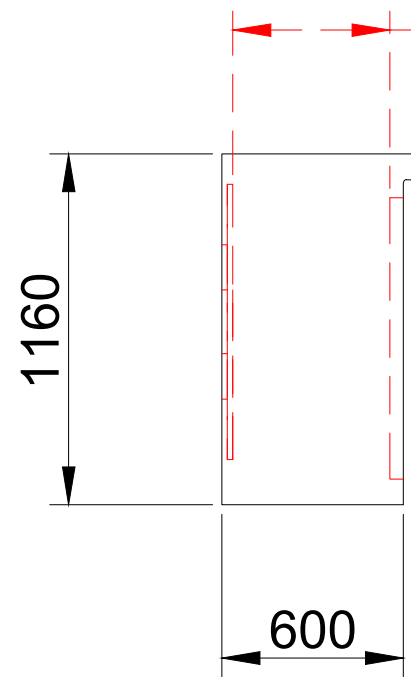


**NOTES:**

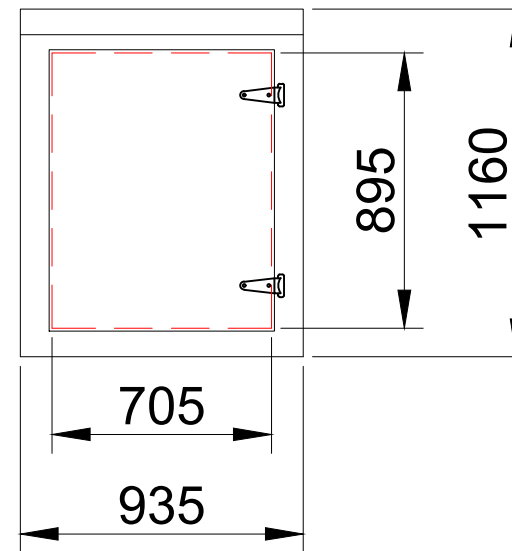
**SINGLE DOOR:**

- 1no. 705mm Wide x 895mm High
- 2no. Stainless Steel Hinges
- 1no. Cylinder Night Latch Lock or Hasp & Staple

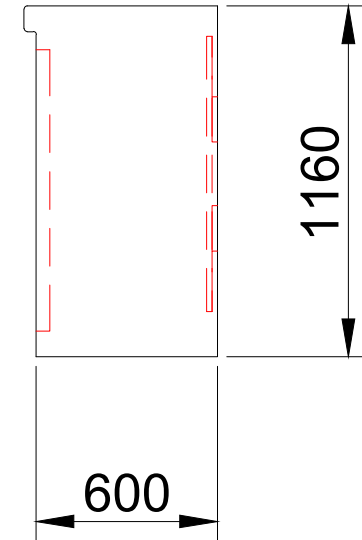
500mm approx  
clear internal



WALL 2



WALL 1



WALL 4

		External Finish: Semi Gloss	Internal Color: White	External Color: T.B.C.
		Fire Resistance: BS476 Part 22- 1/2 hr.	Base Flange:	Roof Construction: GRP
DWG #	ST9	Doors: 1no. Single Door 705mm x 895mm (H)	Ventilation:	Wall Construction: GRP
Rev		Date	10/11/15	Scale
				N/A