

Pushfit Universal

Connect PE pipe to all common metal & plastic pipes for an immediate joint.

PLASSON Pushfit Universal fittings have a wide tolerance and allow connections to a pipe of any pipe material in the ranges 14mm-18mm, 19mm-22mm, 24mm-28mm and 31mm-35mm. A variety of pipe materials such as lead, copper, galvanised iron, imperial PE (Alkathene), PVC, Steel and others, can be accommodated in one universal fitting end, the other end accepting the metric Polyethylene.

The Pushfit Universal fitting is designed to provide a secure and reliable connection to any pipe; there are no adaptors and no loose components, just fit and forget. It requires the pipe to be slipped into fitting up to the stop, tighten the nut firmly with a wrench and that is all that is required to connect to an old pipeline!

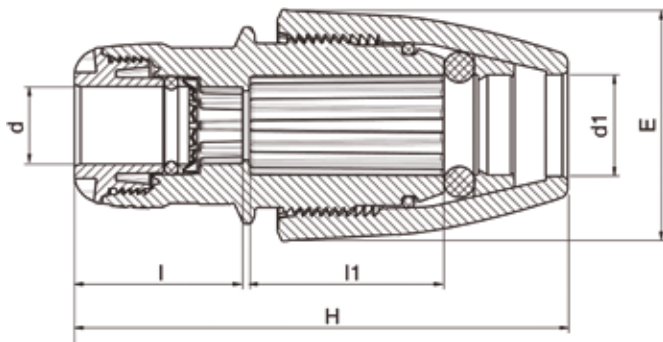
KEY FEATURES

- Provides connectivity of Polyethylene (MDPE) pipe to MDPE, Copper, PB, PEX, Lead, PVC, Galvanised and Imperial Pipe.
- Fully end loaded performance so no need to restrain joints.
- 25mm to multiple pipe sizes.
- Compact size.
- No adaptors required.
- Lightweight and maintenance free.
- 50 year design life.



Pushfit Universal

Pushfit Universal fittings are available in sizes 14mm-18mm, 19mm-22mm, 24mm-28mm and 31mm-35mm.



10017 Universal Coupler PE x Universal



Code	Size d x d1	E	H	I	I1	UB	UC	W
PP10017U025018	25 x 14-18	54	117-137	48	47	5	150	130
PP10017U025022	25 x 19-22	57	119-130	48	47	5	140	141
PP10017U025028	25 x 24-28	66	130-142	48	55	5	110	180
PP10017U025035	25 x 31-35	76	150-158	48	62	5	70	243

Pipe	Standards	Universal Fitting Size Range (mm)			
		14-18 (mm)	19-22 (mm)	24-28 (mm)	31-35 (mm)
PE: Metric (MDPE)	ISO 4427, EN 12201	16	20	25	32
PE: Imperial (Alkathene)	BS 1972/3284	3/8"	1/2"	3/4"	1"
PE: Normal Gauge (Irish)	IS 134	1/2"	-	3/4"	1"
PE: Heavy Gauge (Irish)	IS 134	-	1/2"	3/4"	1"
Copper: UK, EN (above & below)	BS 2871, EN 1057	15	22	28	35
Copper: Irish	EN 1057	14.7 (1/2")	21 (3/4")	27.4 (1")	34 (1 1/4")
Steel, Galvanised steel	BS/EN 10255	-	1/2"	3/4"	1"
Lead, UK		-	3/8" 5lb, 1/2" 6lb	1/2" 9lb	3/4" 11lb
PB, UK	BS 7291-2, table 1	15,18	22	28	-
PE-X, UK	BS 7291-3, table 1	15,18	22	28	32
PVC: Metric	ISO 4422, EN 1452	16	20	25	32
PVC: Imperial	BS 3505	3/8"	1/2"	3/4"	1"