

16310 PlasSaddle

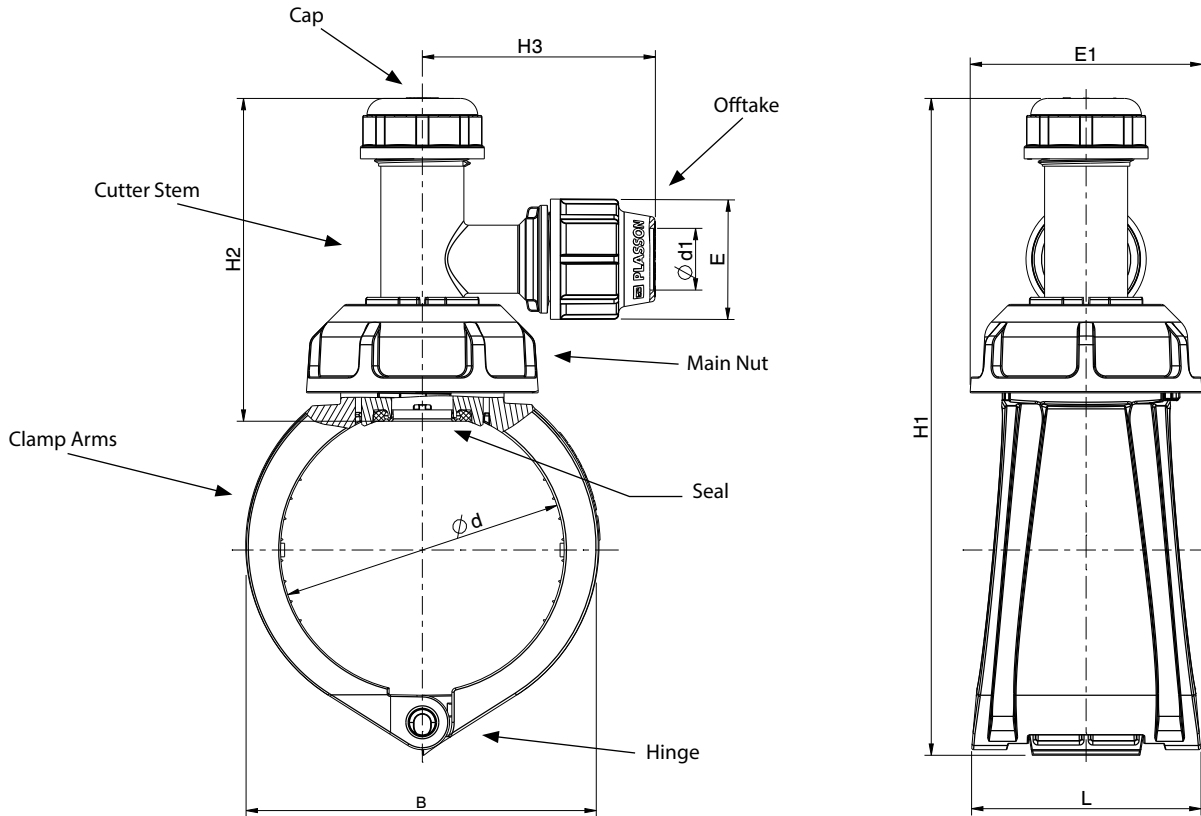
PLASSON's Revolutionary Mechanical Saddle.

PLASSON is proud to introduce its newly designed mechanical saddle. Mechanical saddles are an easy solution for tapping into PE80, PE100 or PVC pipelines. The PlasSaddle is a real innovation in this market because it is fast and easy to install and can be positioned anywhere along the pipe. There are also no additional tools or cutting equipment required for installation.

- For PE and PVC pipes 63mm – 180mm
- 25mm and 32mm service pipe options
- One main nut to tighten - no fiddly nuts, bolts or washers
- Installed in minutes with minimal tools or skill
- Pipe coupon permanently retained in the cutter
- Made of strong, durable, non-corrosive plastic components
- PN16 rated
- Water Reg 4 approved (KiwaReg4)



16310 PlasSaddle Tapper



16310 PlasSaddle Tapper



Code	Size dxd1	B	L	E	E1	H1	H2	H3
PL163100063025	63 x 25	91	89	54	102	231	144	106
PL163100063032	63 x 32	91	89	64	102	231	144	111
PL163100090025	90 x 25	119	94	54	102	258	144	106
PL163100090032	90 x 32	119	94	64	102	258	144	111
PL163100110025	110 x 25	141	97	54	102	273	144	106
PL163100110032	110 x 32	141	97	64	102	273	144	111
PL163100125025	125 x 25	157	100	54	102	290	144	106
PL163100125032	125 x 32	157	100	64	102	290	144	111
PL163100160025	160 x 25	198	106	54	102	325	144	106
PL163100160032	160 x 32	198	106	64	102	325	144	111
PL163100180025	180 x 25	220	110	54	102	350	144	106
PL163100180032	180 x 32	220	110	64	102	350	144	111

Technical Details:

Pressure Rating	Water PN16
Clamp Material	Glass reinforced polypropylene
Pressurised Body Material	Polypropylene, high-grade copolymer
Split Ring Material	Polyacetal
Seal Material	EPDM
Cutter Material	DZR brass