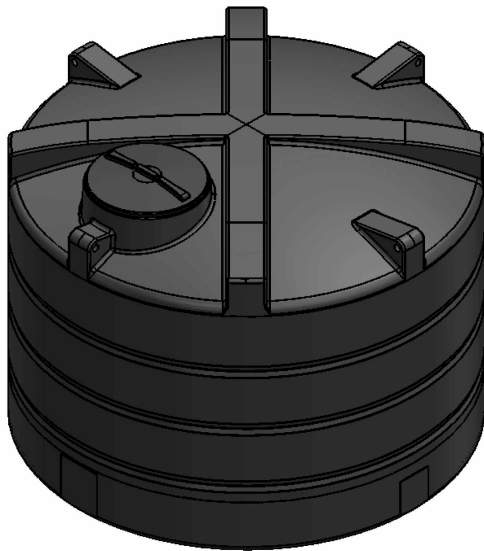
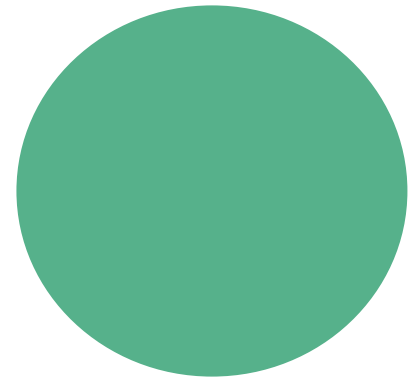


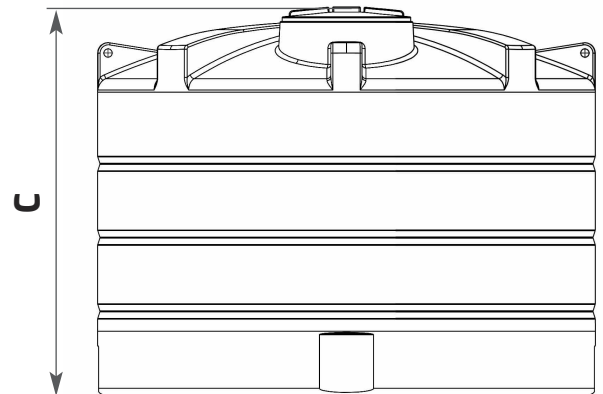
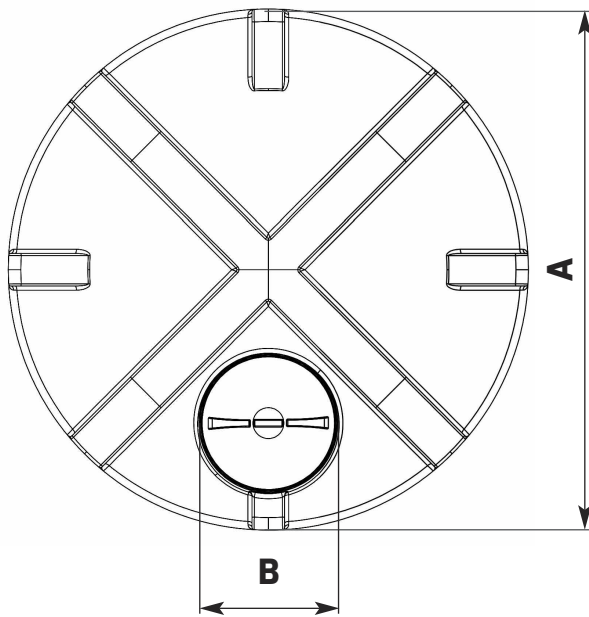
# Think Tank Think ENDURATANK



## VERTICAL TANK TECHNICAL SPECIFICATION

NON POTABLE	172117		
CAPACITY (Litres)	7000	CAPACITY (Gallons)	1540

A (mm)	2400	B (mm)	620
C (mm)	1820	Standard Outlet	2"



Please note:  
Tank sizes quoted are subject to a +/- 3% variation

**ENDURATANK<sup>®</sup>**  
A Division of ENDURAMAXX

© Enduramaxx 2017. Copyright of this drawing is reserved by Enduramaxx. The issue of this drawing is confidential disclosure of its contents, and is made conditional that it is neither disclosed to a third party, nor any item described herein and designed by Enduramaxx is produced either in whole or in part without the written consent of Enduramaxx.

Enduratank is a Registered Trading Name of Enduramaxx Limited

