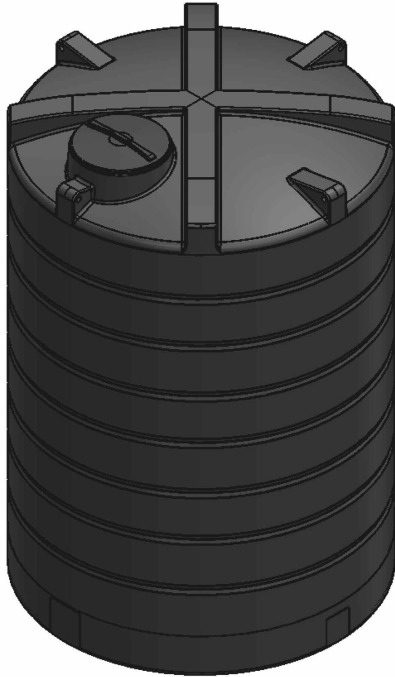
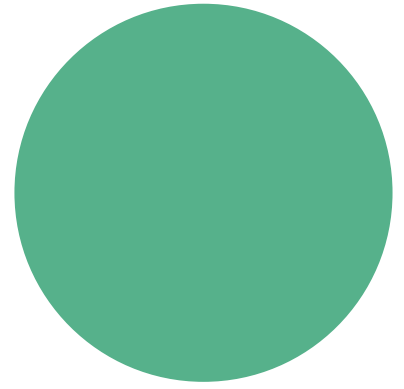


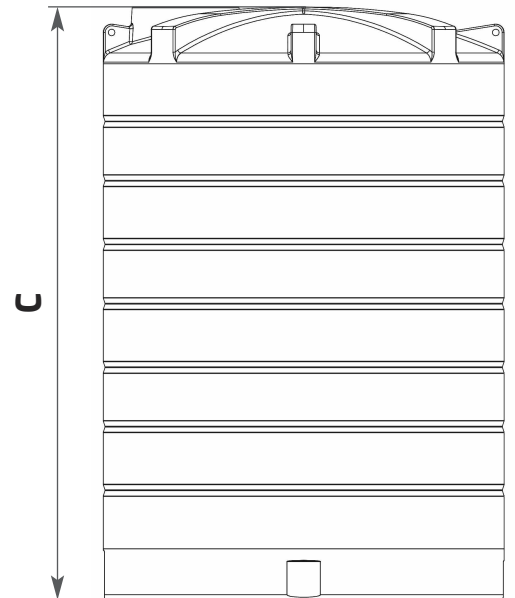
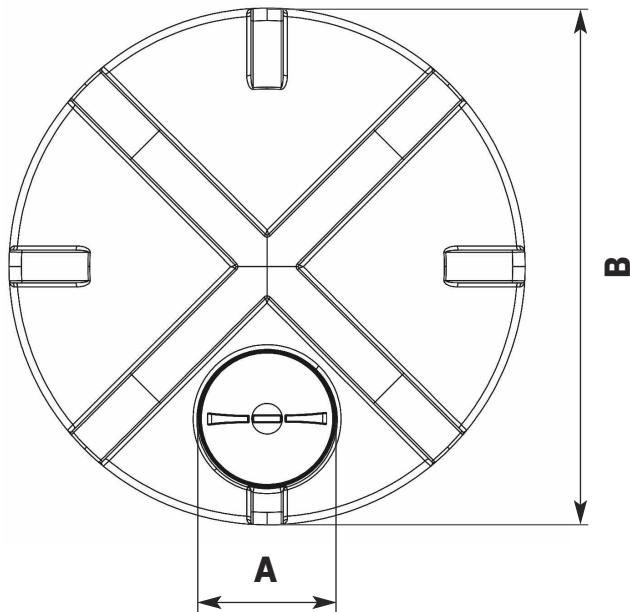
Think Tank Think ENDURATANK



15,000 LITRE WRAS APPROVED POTABLE WATER TANK TECHNICAL SPECIFICATION

CODE	172229		
CAPACITY (Litres)	15000	CAPACITY (Gallons)	3299

A (mm)	620	B (mm)	2400
C (mm)	3550	Standard Outlet	2"



Please note: Tank sizes quoted are subject to a +/- 3% variation. Drawings not to scale.

ENDURATANK®

A Division of ENDURAMAXX

© Enduramaxx 2018. Copyright of this drawing is reserved by Enduramaxx. The issue of this drawing is confidential disclosure of its contents, and is made conditional that it is neither disclosed to a third party, nor any item described herein and designed by Enduramaxx is produced either in whole or in part without the written consent of Enduramaxx.

Enduratank is a Registered Trading Name of Enduramaxx Limited

