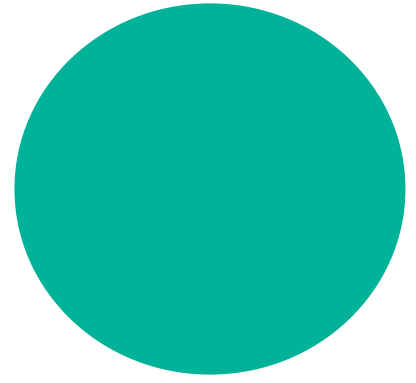


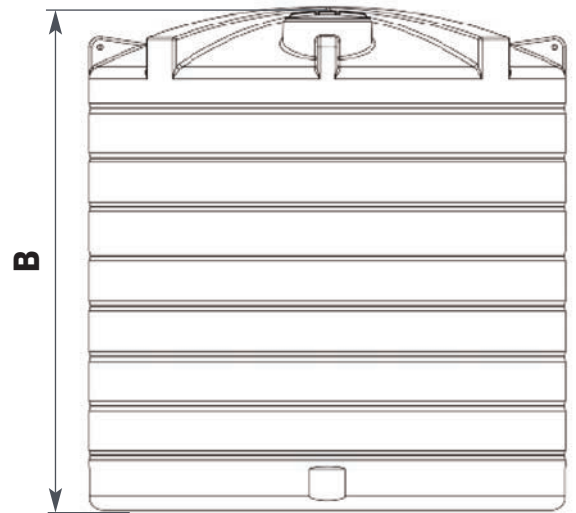
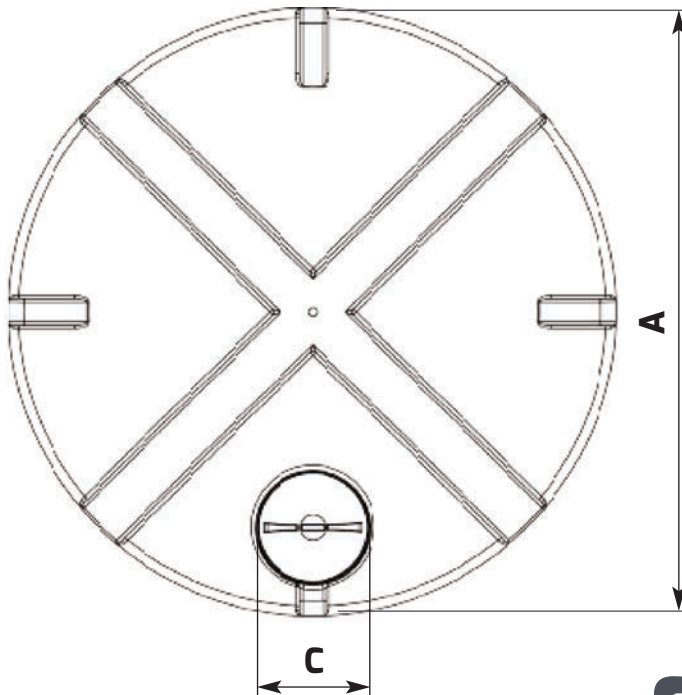
# Think Tank. Think ENDURATANK



## VERTICAL TANK TECHNICAL SPECIFICATION

POTABLE	172260	NON - POTABLE	172160
CAPACITY (Litres)	30000	CAPACITY (Gallons)	6599

A (mm)	3450	B (mm)	3650
C (mm)	620	Standard Outlet	2"



# ENDURATANK

© Enduramaxx 2015. Copyright of this drawing is reserved by Enduramaxx. The issue of this drawing is confidential disclosure of its contents, and is made conditional that it is neither disclosed to a third party, nor any item described herein and designed by Enduramaxx is produced either in whole or in part without the written consent of Enduramaxx.

