

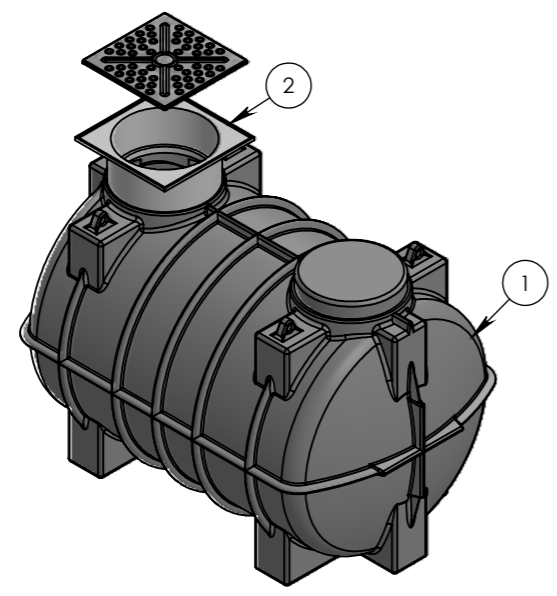
ITEM NO.	PART NUMBER	DESCRIPTION	QTY.
1	VTN350	3,500L UNDERGROUND TANK	1
2	-	250mm NON-POTABLE TURRET EXTENSION & COVER	1

DESIGN DATA	
DESIGN PRESSURE: ATMOSPHERIC	MAXIMUM CAPACITY (LTRS):
DESIGN TEMPERATURE: 40°C	WORKING CAPACITY (LTRS):
WORKING PRESSURE: ATMOSPHERIC	APPROX. WEIGHT FULL (KGS):
WORKING TEMPERATURE: 40°C	APPROX. WEIGHT EMPTY (KGS):
MOULDED LIFTING LUGS: 4 - 0°, 90°, 180° & 270°	
METHOD OF SUPPORT: FIRM, FLAT, FULLY SUPPORTING BASE OF CONCRETE OR OTHER SUITABLE MATEREAL	

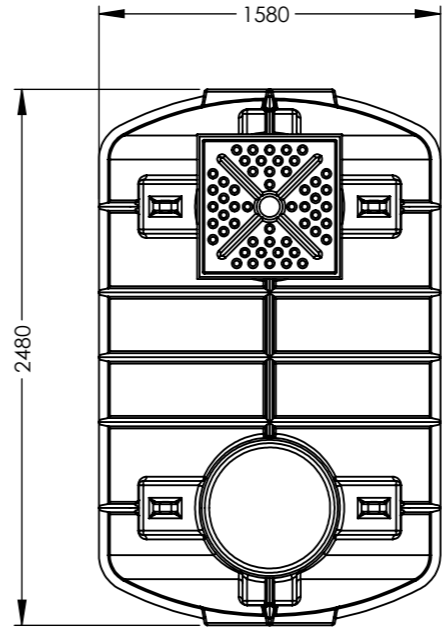
MATERIAL DATA
MATERIALS OF CONSTRUCTION:
MATRIX REVOLVE N-307. REVOLVE IS A HIGH DENSITY (0.939 g/cm3), LOW MELT (3.5 g/ 10 min) HEXENE POLYETHYLENE GRADE FOR ROTOMOULDING. THE GRADE IS FULLY PROTECTED AGAINST THERMAL AND LIGHT DEGRADATION: N-307 IS UV10 STABILISED.

INSPECTION AND TESTING
WORKS TEST: ALL TANKS ARE THICKNESS TESTED BY ULTRASOUND AFTER DEMOULD IN ADDITION AIR SUPPORTED LEAK TEST ARE CARRIED OUT ON FLANGE LINES.

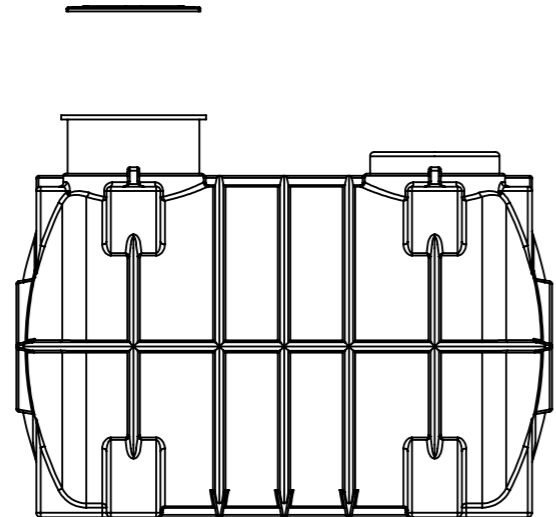
NOTE SECTION



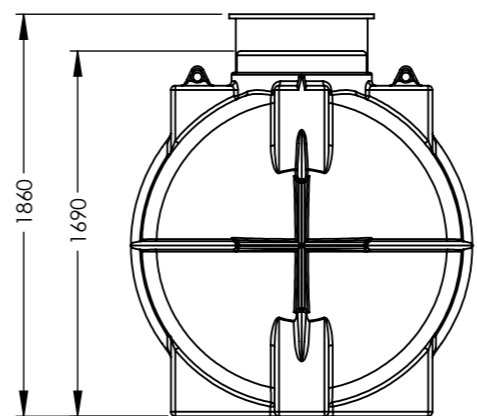
LEFT ISO VIEW  
SCALE 1 : 40



PLAN VIEW



LEFT VIEW



FRONT VIEW

	NAME	SIGNATURE	DATE
DRAWN	LC	L.Crane	06/04/2022
CHECKED			

UNLESS OTHERWISE SPECIFIED:  
DIMENSIONS ARE IN MILLIMETERS  
SURFACE FINISH: MDPE  
TOLERANCES: ±3%



3RD ANGLE PROJECTION

DO NOT SCALE DRAWING      REVISION: -

**ENDURAMAXX®**  
FLUID MANAGEMENT INNOVATION

DWG TITLE:  
3500L NON-POTABLE UNDERGROUND TANK

DWG NO: VTR350-3500L-UNDERGROUND      A3

SCALE: 1:35      SHEET 1 OF 1