

Qty. Description

1 **Unilift AP12.40.04.A1**



Note! Product picture may differ from actual product

Product No.: On request
Submersible drainage pump type

Vertical single-stage stainless steel submersible pump with vertical discharge port and integrated Phase: submersible 1-phase totally enclosed motor in insulation class F with thermal overload protection.

The pump is fitted with suction strainer and level switch for automatic start and stop.

Impeller type: The impeller is a SEMI OPEN impeller for Free passage: 12 mm free passage suitable for pumping groundwater, surface water, rain water and similar.

The pump has a double shaft seal and an intermediate oil chamber pre-filled with non-toxic special oil.

The pump has a riser pipe, a cooling jacket for continuous cooling of the motor by the pumped liquid and long-life deep-groove greased-for-life ball bearings.

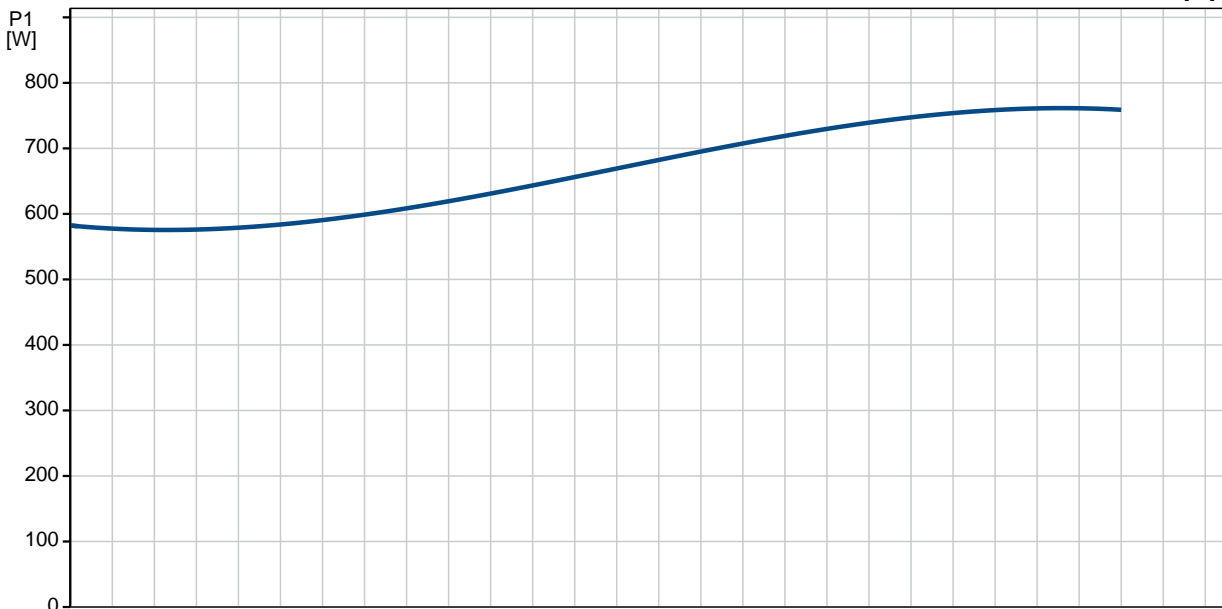
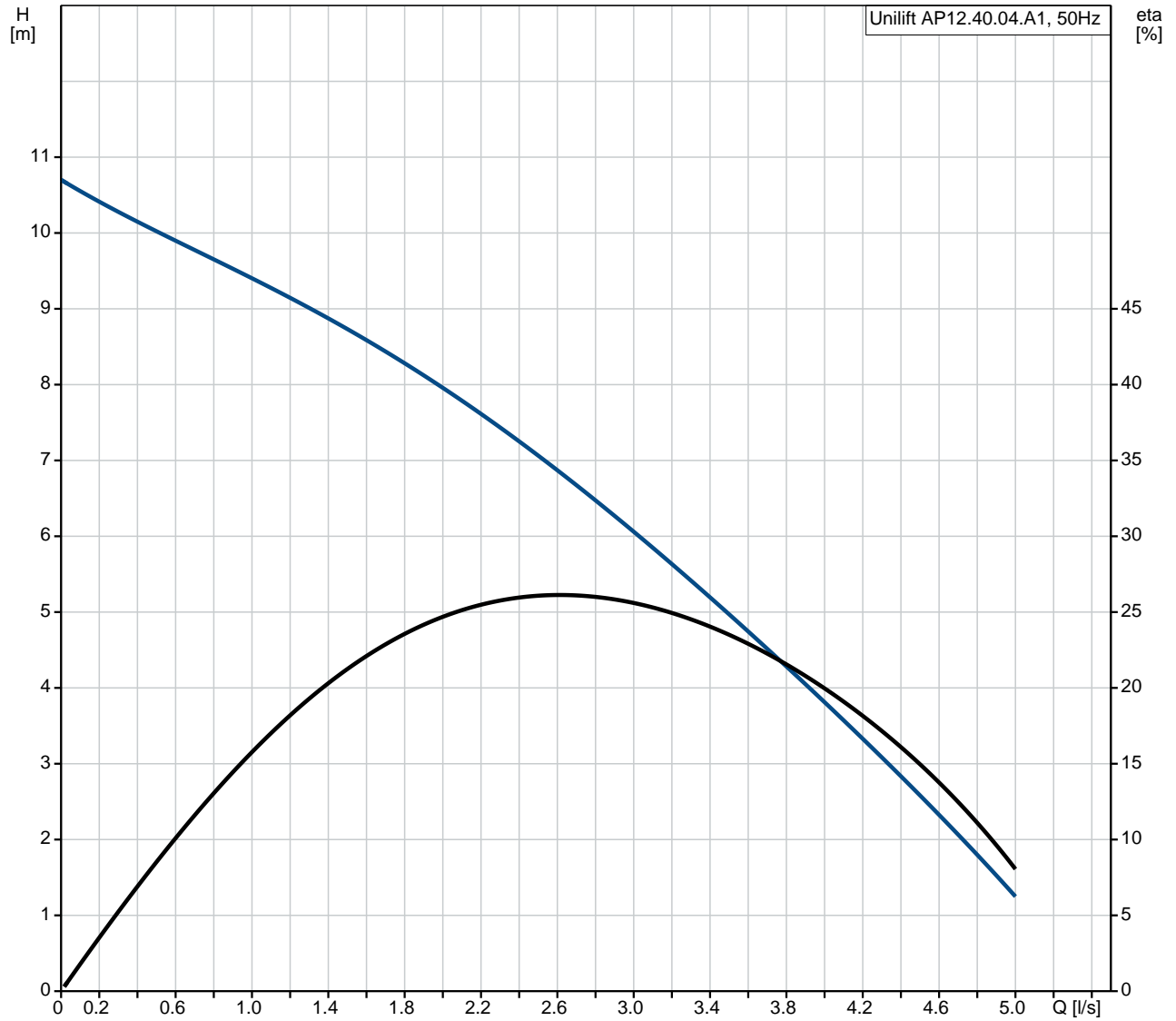
The pump is ready for use as it is fitted with carrying handle and is supplied with a Cable length: 10 m mains cable. The mains cable is of the plug type with glass sealing compound in the socket to prevent penetration of humidity into the stator windings.

Liquid:
Pumped liquid: Any Newtonian liquid
Liquid temperature range: 0 .. 55 °C
Density: 998.2 kg/m³

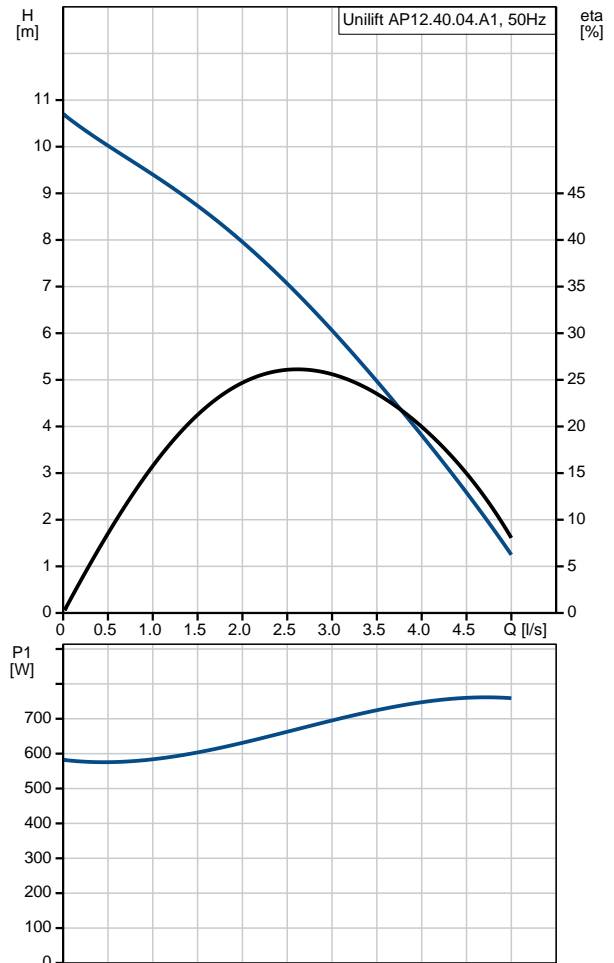
Technical:
Type of impeller: SEMI OPEN

| Qty. | Description |
|------|---|
| | <p>Maximum particle size: 12 mm</p> <p>Materials:</p> <p>Pump housing: Stainless steel DIN W.-Nr. 1.4301 AISI 304</p> <p>Impeller: Stainless steel DIN W.-Nr. 1.4301 AISI 304</p> <p>Installation:</p> <p>Pump outlet: Rp 1 1/2</p> <p>Maximum installation depth: 7 m</p> <p>Electrical data:</p> <p>Motor type 1-phase: PSC</p> <p>Power input - P1: 0.7 kW</p> <p>Mains frequency: 50 Hz</p> <p>Rated voltage: 1 x 230 V</p> <p>Rated current: 3 A</p> <p>Cos phi - power factor: 0.99</p> <p>Rated speed: 2770 rpm</p> <p>Capacitor size - run: 12 µF/400 V</p> <p>Enclosure class (IEC 34-5): IP68</p> <p>Insulation class (IEC 85): F</p> <p>Length of cable: 10 m</p> <p>Type of cable plug: NONE</p> <p>Others:</p> <p>Net weight: 12.2 kg</p> <p>Gross weight: 13.3 kg</p> |

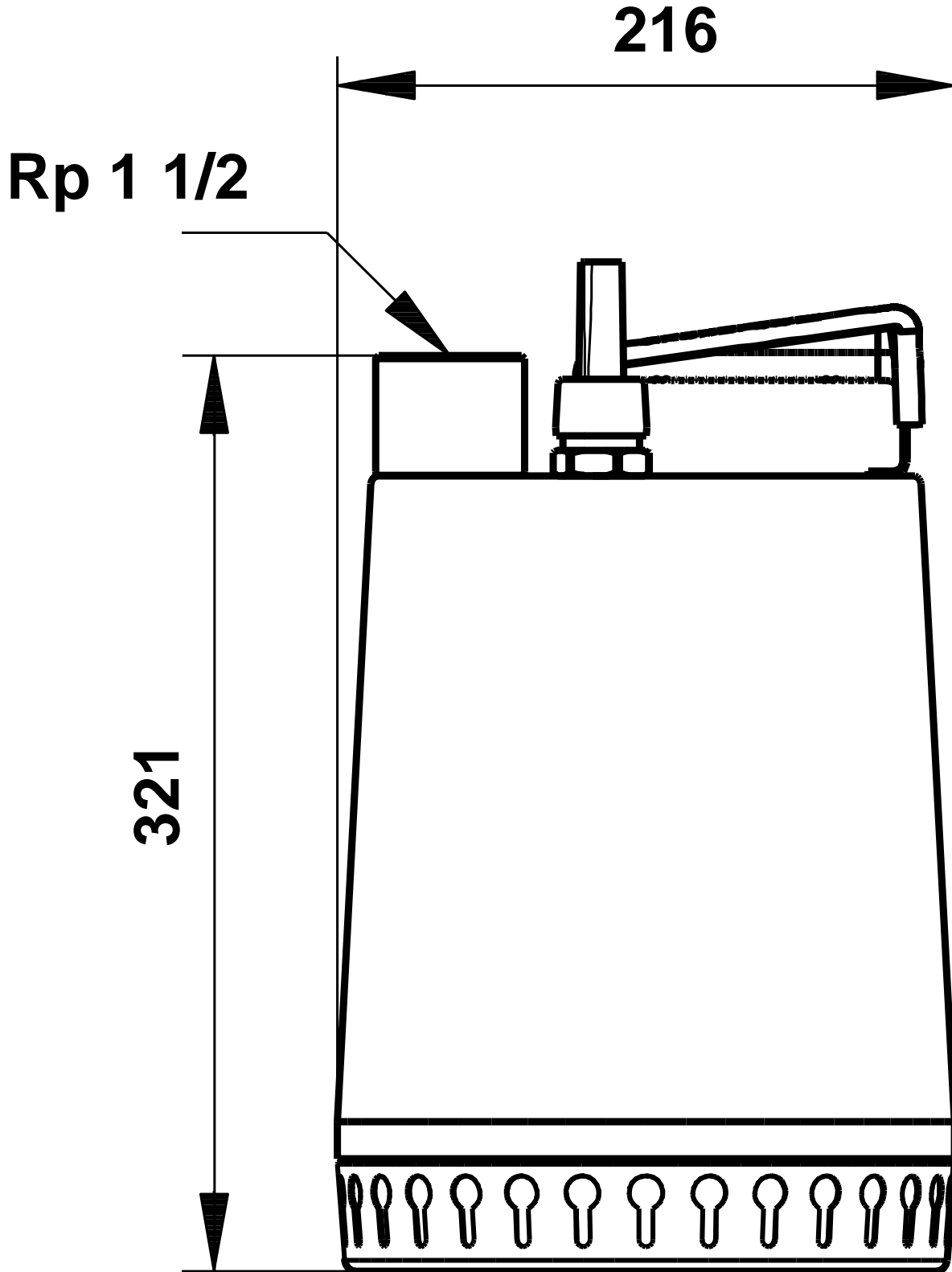
On request Unilift AP12.40.04.A1 50 Hz



| Description | Value |
|-----------------------------|-------------------------|
| General information: | |
| Product name: | Unilift AP12.40.04.A1 |
| Product No: | On request |
| EAN number: | On request |
| Price: | |
| Technical: | |
| Maximum flow: | 3.89 l/s |
| Max flow: | 3.89 l/s |
| Head max: | 10 m |
| Type of impeller: | SEMI OPEN |
| Maximum particle size: | 12 mm |
| Materials: | |
| Pump housing: | Stainless steel |
| Pump housing: | DIN W.-Nr. 1.4301 |
| Pump housing: | AISI 304 |
| Impeller: | Stainless steel |
| Impeller: | DIN W.-Nr. 1.4301 |
| Impeller: | AISI 304 |
| Installation: | |
| Pump outlet: | Rp 1 1/2 |
| Maximum installation depth: | 7 m |
| Inst dry/wet: | D/S |
| Installation: | horizontal or vertical |
| Liquid: | |
| Pumped liquid: | Any Newtonian liquid |
| Liquid temperature range: | 0 .. 55 °C |
| Density: | 998.2 kg/m ³ |
| Electrical data: | |
| Motor type 1-phase: | PSC |
| Power input - P1: | 0.7 kW |
| P2: | 0.4 kW |
| Mains frequency: | 50 Hz |
| Rated voltage: | 1 x 230 V |
| Rated current: | 3 A |
| Cos phi - power factor: | 0.99 |
| Rated speed: | 2770 rpm |
| Capacitor size - run: | 12 µF/400 V |
| Enclosure class (IEC 34-5): | IP68 |
| Insulation class (IEC 85): | F |
| Motor protec: | CONTACT |
| Thermal protec: | internal |
| Length of cable: | 10 m |
| Type of cable plug: | NONE |
| Controls: | |
| Level switch: | float switch |
| Others: | |
| Net weight: | 12.2 kg |
| Gross weight: | 13.3 kg |

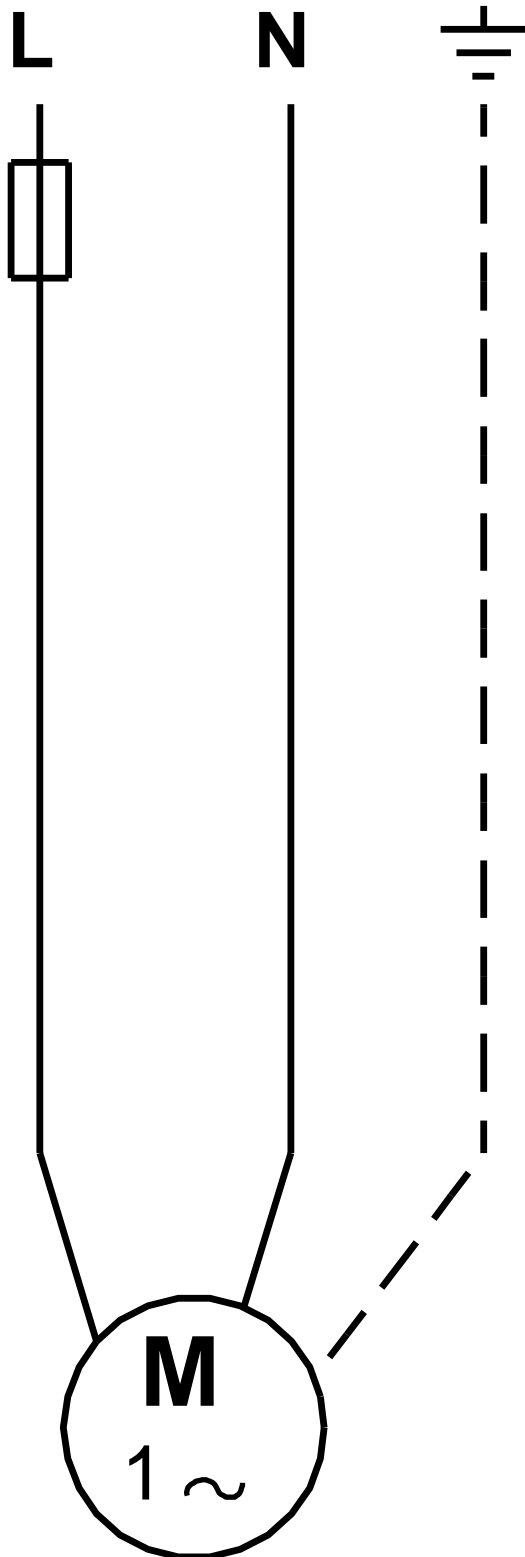


On request Unilift AP12.40.04.A1 50 Hz



Note! All units are in [mm] unless others are stated.
Disclaimer: This simplified dimensional drawing does not show all details.

On request Unilift AP12.40.04.A1 50 Hz



Note! All units are in [mm] unless others are stated.