

**Qty. Description**

1 **Unilift AP12.40.06.A1**



**Note! Product picture may differ from actual product**

Product No.: On request  
Submersible drainage pump type

Vertical single-stage stainless steel submersible pump with vertical discharge port and integrated Phase: submersible 1-phase totally enclosed motor in insulation class F with thermal overload protection.

The pump is fitted with suction strainer and level switch for automatic start and stop.

Impeller type: The impeller is a SEMI OPEN impeller for Free passage: 12 mm free passage suitable for pumping groundwater, surface water, rain water and similar.

The pump has a double shaft seal and an intermediate oil chamber pre-filled with non-toxic special oil.

The pump has a riser pipe, a cooling jacket for continuous cooling of the motor by the pumped liquid and long-life deep-groove greased-for-life ball bearings.

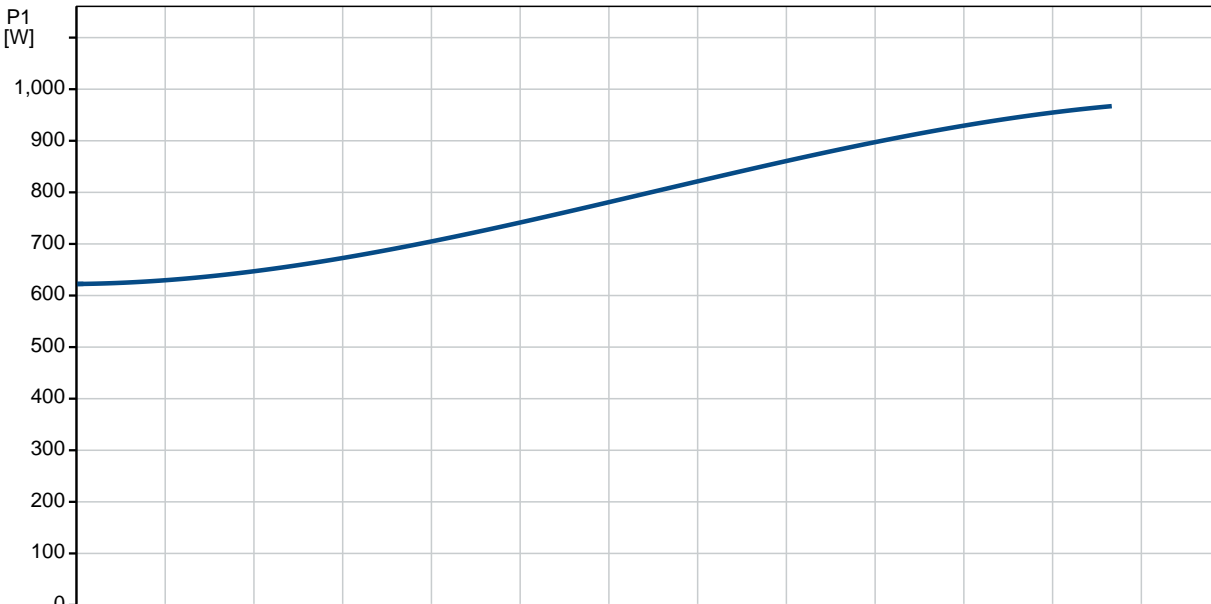
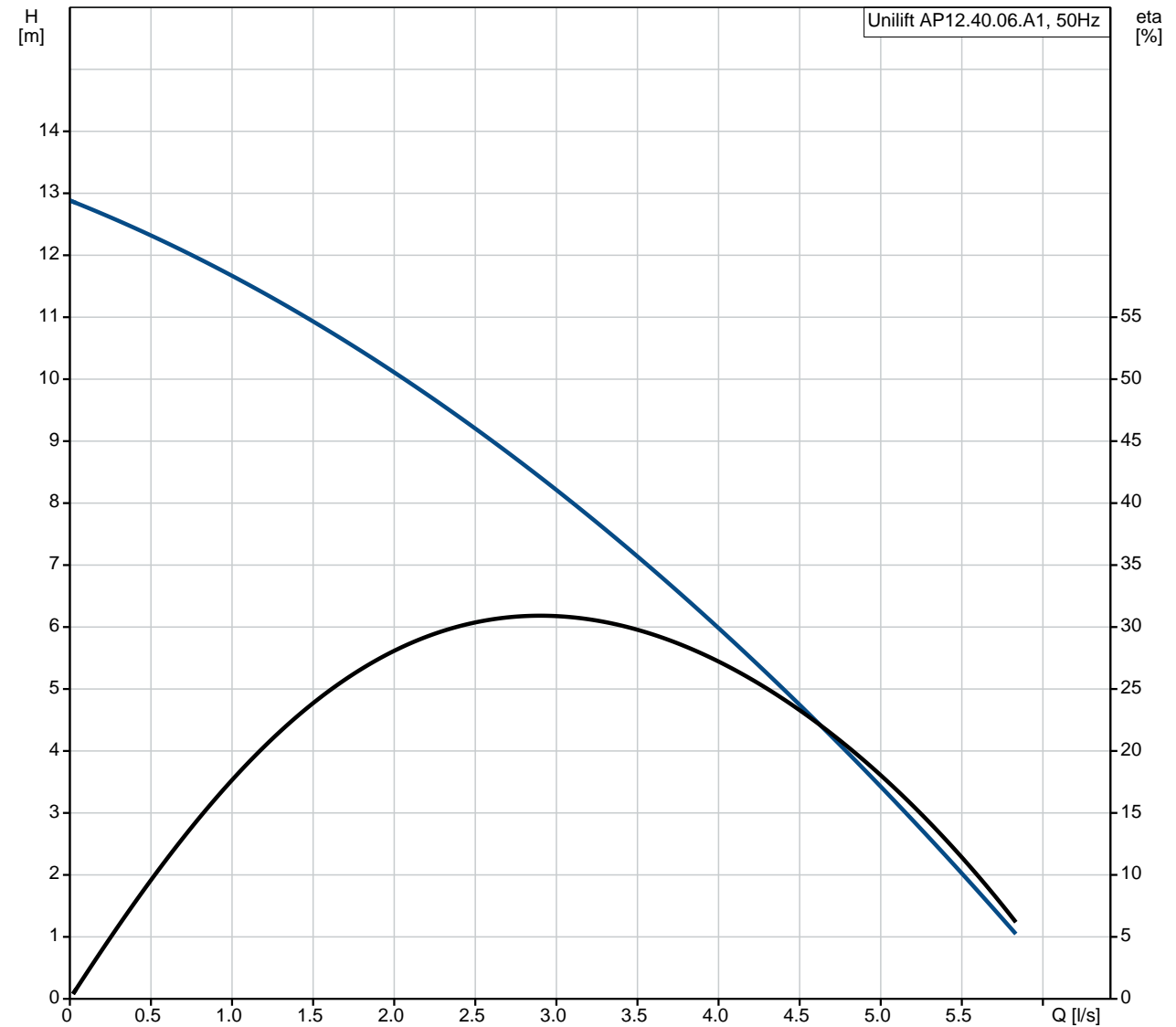
The pump is ready for use as it is fitted with carrying handle and is supplied with a Cable length: 10 m mains cable. The mains cable is of the plug type with glass sealing compound in the socket to prevent penetration of humidity into the stator windings.

Liquid:  
Pumped liquid: Any Newtonian liquid  
Liquid temperature range: 0 .. 55 °C  
Density: 998.2 kg/m<sup>3</sup>

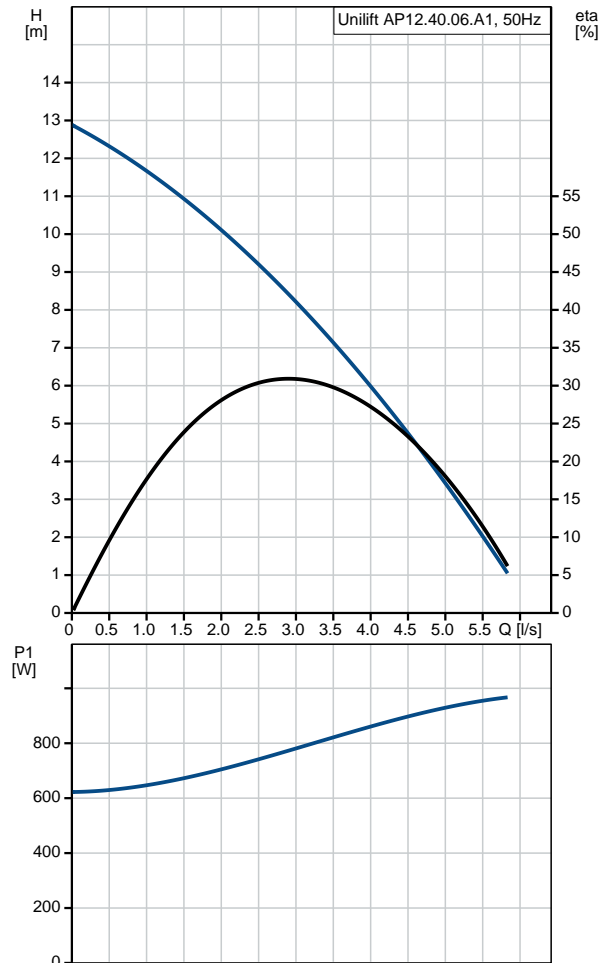
Technical:  
Type of impeller: SEMI OPEN

Qty.	Description
	<p>Maximum particle size: 12 mm</p> <p>Materials:</p> <p>Pump housing: Stainless steel DIN W.-Nr. 1.4301 AISI 304</p> <p>Impeller: Stainless steel DIN W.-Nr. 1.4301 AISI 304</p> <p>Installation:</p> <p>Pump outlet: Rp 1 1/2</p> <p>Maximum installation depth: 7 m</p> <p>Electrical data:</p> <p>Motor type 1-phase: PSC</p> <p>Power input - P1: 0.9 kW</p> <p>Mains frequency: 50 Hz</p> <p>Rated voltage: 1 x 230 V</p> <p>Rated current: 4.4 A</p> <p>Cos phi - power factor: 0.99</p> <p>Rated speed: 2785 rpm</p> <p>Capacitor size - run: 16 µF/400 V</p> <p>Enclosure class (IEC 34-5): IP68</p> <p>Insulation class (IEC 85): F</p> <p>Length of cable: 10 m</p> <p>Type of cable plug: NONE</p> <p>Others:</p> <p>Net weight: 12.2 kg</p> <p>Gross weight: 13.3 kg</p>

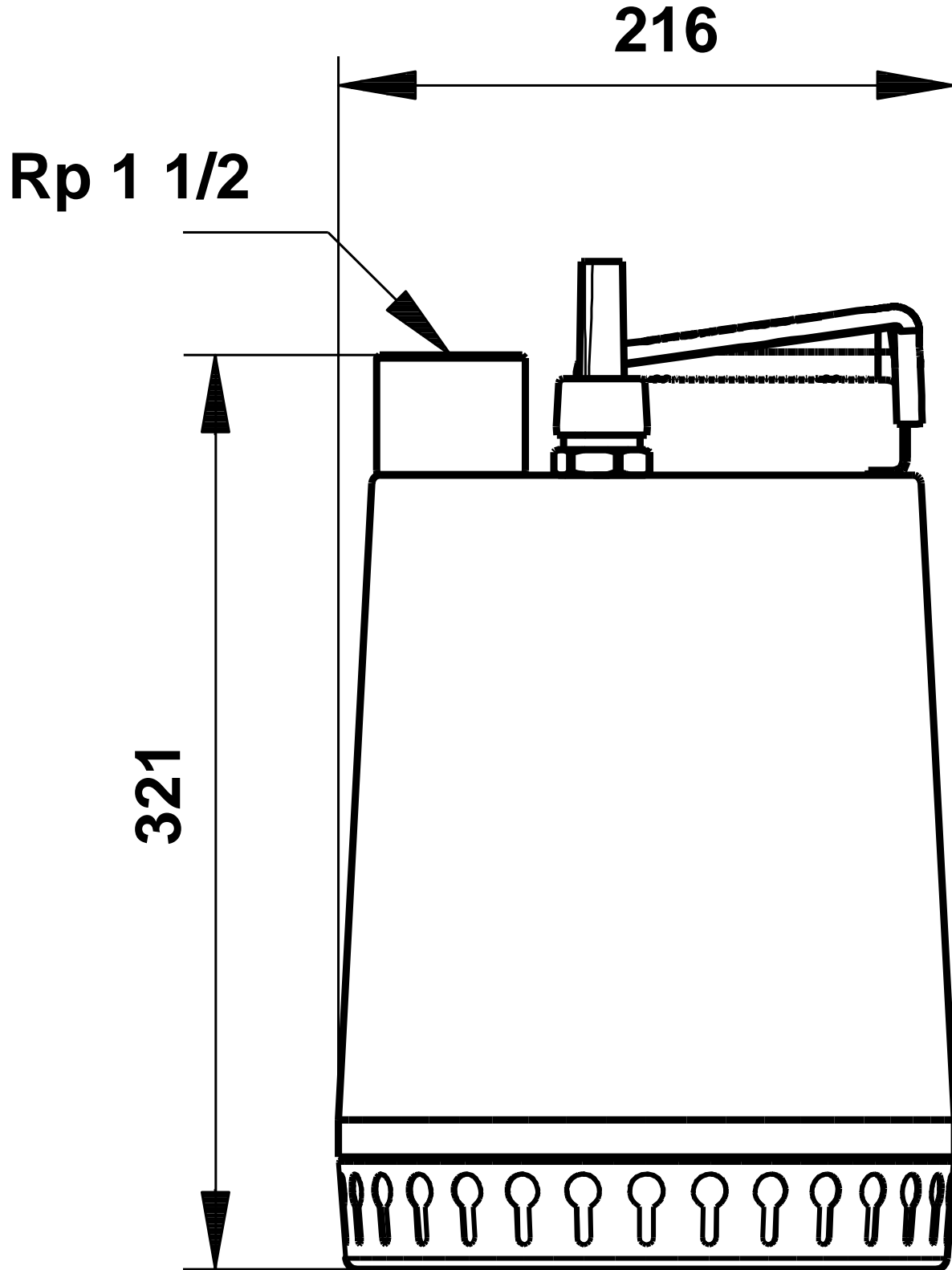
## On request Unilift AP12.40.06.A1 50 Hz



Description	Value
<b>General information:</b>	
Product name:	Unilift AP12.40.06.A1
Product No:	On request
EAN number:	On request
Price:	
<b>Technical:</b>	
Maximum flow:	5 l/s
Max flow:	5 l/s
Head max:	13 m
Type of impeller:	SEMI OPEN
Maximum particle size:	12 mm
<b>Materials:</b>	
Pump housing:	Stainless steel
Pump housing:	DIN W.-Nr. 1.4301
Pump housing:	AISI 304
Impeller:	Stainless steel
Impeller:	DIN W.-Nr. 1.4301
Impeller:	AISI 304
<b>Installation:</b>	
Pump outlet:	Rp 1 1/2
Maximum installation depth:	7 m
Inst dry/wet:	D/S
Installation:	horizontal or vertical
<b>Liquid:</b>	
Pumped liquid:	Any Newtonian liquid
Liquid temperature range:	0 .. 55 °C
Density:	998.2 kg/m <sup>3</sup>
<b>Electrical data:</b>	
Motor type 1-phase:	PSC
Power input - P1:	0.9 kW
P2:	0.6 kW
Mains frequency:	50 Hz
Rated voltage:	1 x 230 V
Rated current:	4.4 A
Cos phi - power factor:	0.99
Rated speed:	2785 rpm
Capacitor size - run:	16 µF/400 V
Enclosure class (IEC 34-5):	IP68
Insulation class (IEC 85):	F
Motor protec:	CONTACT
Thermal protec:	internal
Length of cable:	10 m
Type of cable plug:	NONE
<b>Controls:</b>	
Level switch:	float switch
<b>Others:</b>	
Net weight:	12.2 kg
Gross weight:	13.3 kg

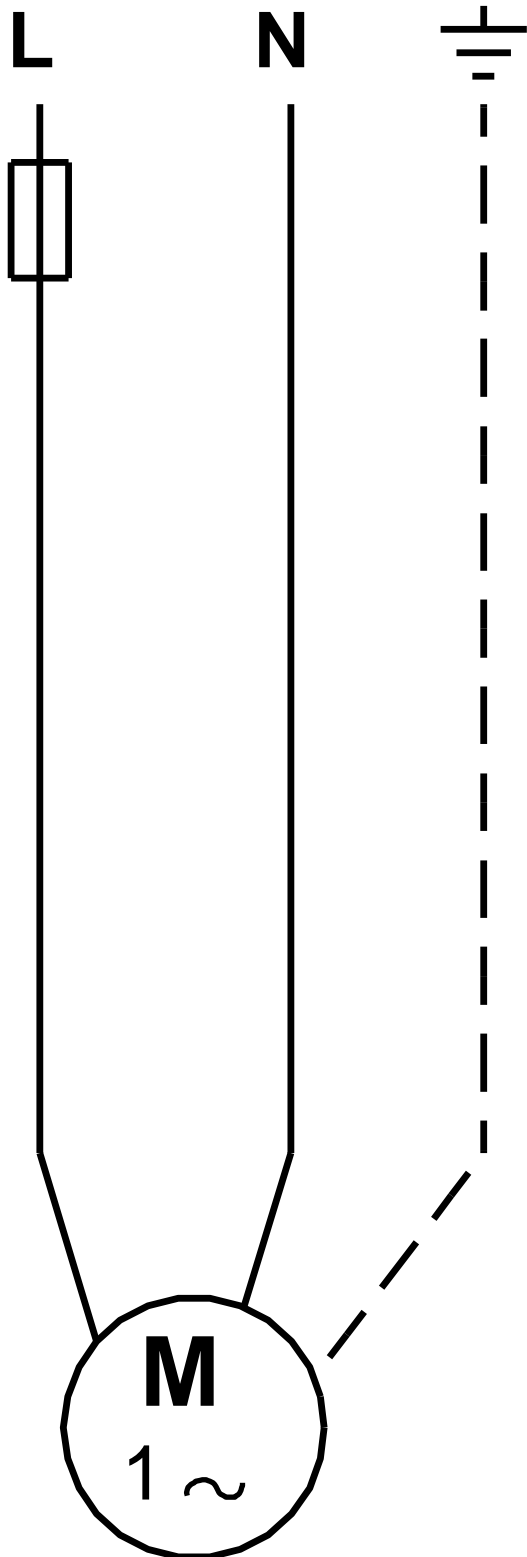


On request Unilift AP12.40.06.A1 50 Hz



Note! All units are in [mm] unless others are stated.  
Disclaimer: This simplified dimensional drawing does not show all details.

**On request Unilift AP12.40.06.A1 50 Hz**



Note! All units are in [mm] unless others are stated.