

Qty. Description

1 **Unilift AP12.40.08.1**



Note! Product picture may differ from actual product

Product No.: On request
Submersible drainage pump type

Vertical single-stage stainless steel submersible pump with vertical discharge port and integrated Phase: submersible 1-phase totally enclosed motor in insulation class F with thermal overload protection. The pump is fitted with a suction strainer.

Impeller type: The impeller is a SEMI OPEN impeller for
Free passage: 12 mm free passage suitable for pumping groundwater, surface water, rain water and similar.

The pump has a double shaft seal and an intermediate oil chamber pre-filled with non-toxic special oil.

The pump has a riser pipe, a cooling jacket for continuous cooling of the motor by the pumped liquid and long-life deep-groove greased-for-life ball bearings.

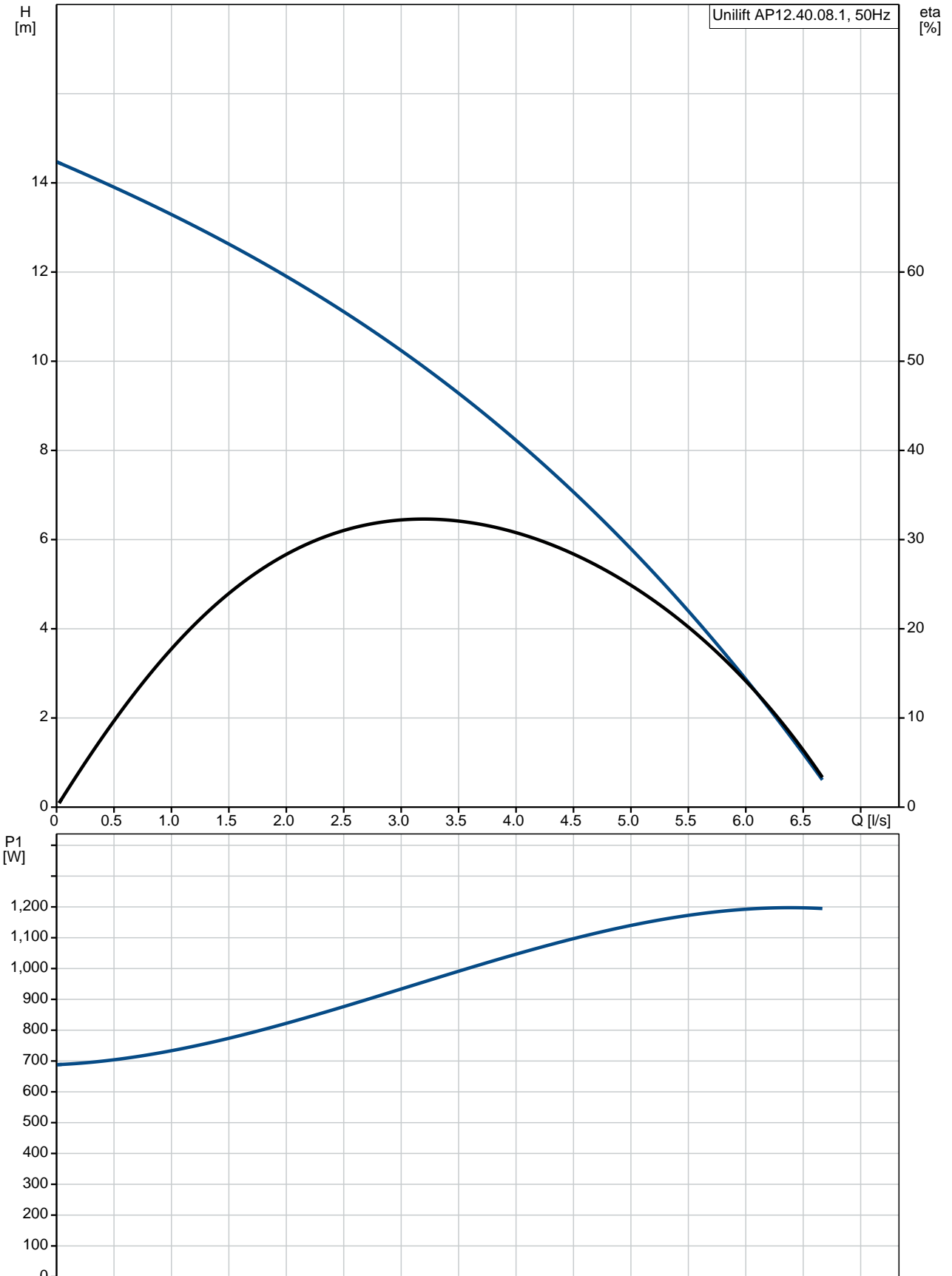
The pump is ready for use as it is fitted with carrying handle and is supplied with a
Cable length: 10 m mains cable. The mains cable is of the plug type with glass sealing compound in the socket to prevent penetration of humidity into the stator windings.

Liquid:
Pumped liquid: Any Newtonian liquid
Liquid temperature range: 0 .. 55 °C
Density: 998.2 kg/m³

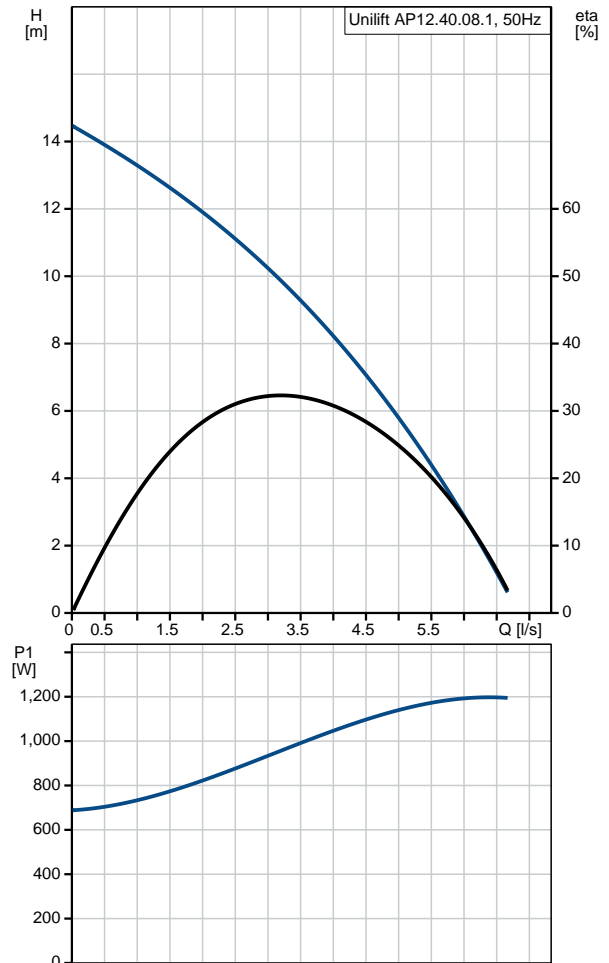
Technical:

Qty.	Description
	Type of impeller: SEMI OPEN
	Maximum particle size: 12 mm
	Materials:
	Pump housing: Stainless steel DIN W.-Nr. 1.4301 AISI 304
	Impeller: Stainless steel DIN W.-Nr. 1.4301 AISI 304
	Installation:
	Pump outlet: Rp 1 1/2
	Maximum installation depth: 7 m
	Electrical data:
	Motor type 1-phase: PSC
	Power input - P1: 1.3 kW
	Mains frequency: 50 Hz
	Rated voltage: 1 x 230 V
	Rated current: 5.9 A
	Cos phi - power factor: 0.99
	Rated speed: 2780 rpm
	Capacitor size - run: 16 µF/400 V
	Enclosure class (IEC 34-5): IP68
	Insulation class (IEC 85): F
	Length of cable: 10 m
	Type of cable plug: NONE
	Others:
	Net weight: 14.9 kg
	Gross weight: 15.5 kg

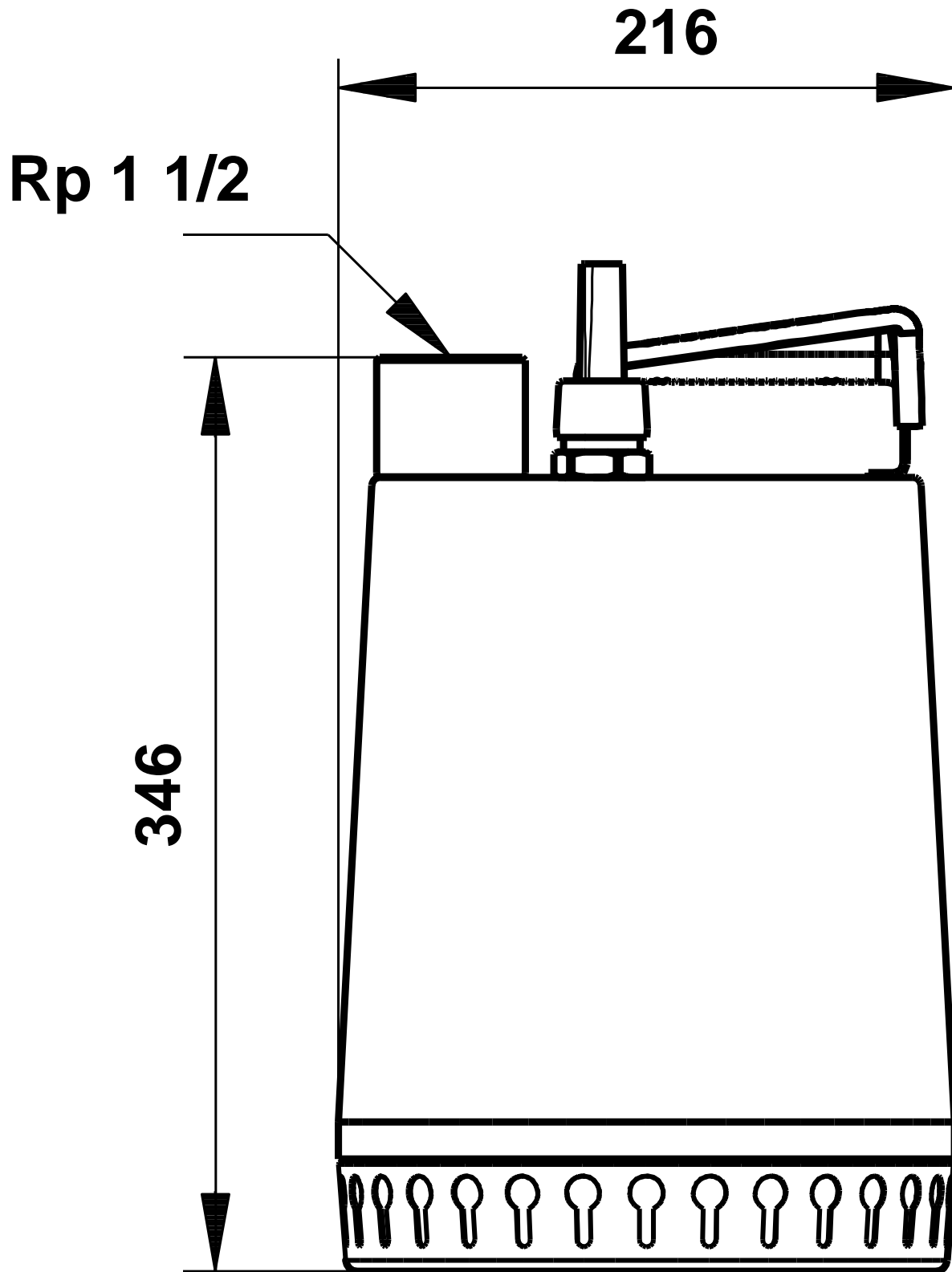
On request Unilift AP12.40.08.1 50 Hz



Description	Value
General information:	
Product name:	Unilift AP12.40.08.1
Product No:	On request
EAN number:	On request
Price:	
Technical:	
Maximum flow:	5.83 l/s
Max flow:	5.83 l/s
Head max:	15 m
Type of impeller:	SEMI OPEN
Maximum particle size:	12 mm
Materials:	
Pump housing:	Stainless steel
Pump housing:	DIN W.-Nr. 1.4301
Pump housing:	AISI 304
Impeller:	Stainless steel
Impeller:	DIN W.-Nr. 1.4301
Impeller:	AISI 304
Installation:	
Pump outlet:	Rp 1 1/2
Maximum installation depth:	7 m
Inst dry/wet:	D/S
Installation:	horizontal or vertical
Liquid:	
Pumped liquid:	Any Newtonian liquid
Liquid temperature range:	0 .. 55 °C
Density:	998.2 kg/m ³
Electrical data:	
Motor type 1-phase:	PSC
Power input - P1:	1.3 kW
P2:	0.8 kW
Mains frequency:	50 Hz
Rated voltage:	1 x 230 V
Rated current:	5.9 A
Cos phi - power factor:	0.99
Rated speed:	2780 rpm
Capacitor size - run:	16 µF/400 V
Enclosure class (IEC 34-5):	IP68
Insulation class (IEC 85):	F
Motor protec:	CONTACT
Thermal protec:	internal
Length of cable:	10 m
Type of cable plug:	NONE
Others:	
Net weight:	14.9 kg
Gross weight:	15.5 kg



On request Unilift AP12.40.08.1 50 Hz



Note! All units are in [mm] unless others are stated.
Disclaimer: This simplified dimensional drawing does not show all details.

On request Unilift AP12.40.08.1 50 Hz



Note! All units are in [mm] unless others are stated.