

Qty. Description

1 **Unilift AP12.50.11.1**



Note! Product picture may differ from actual product

Product No.: On request
Submersible drainage pump type

Vertical single-stage stainless steel submersible pump with vertical discharge port and integrated Phase: submersible 1-phase totally enclosed motor in insulation class F with thermal overload protection. The pump is fitted with a suction strainer.

Impeller type: The impeller is a SEMI OPEN impeller for
Free passage: 12 mm free passage suitable for pumping groundwater, surface water, rain water and similar.

The pump has a double shaft seal and an intermediate oil chamber pre-filled with non-toxic special oil.

The pump has a riser pipe, a cooling jacket for continuous cooling of the motor by the pumped liquid and long-life deep-groove greased-for-life ball bearings.

The pump is ready for use as it is fitted with carrying handle and is supplied with a
Cable length: 10 m mains cable. The mains cable is of the plug type with glass sealing compound in the socket to prevent penetration of humidity into the stator windings.

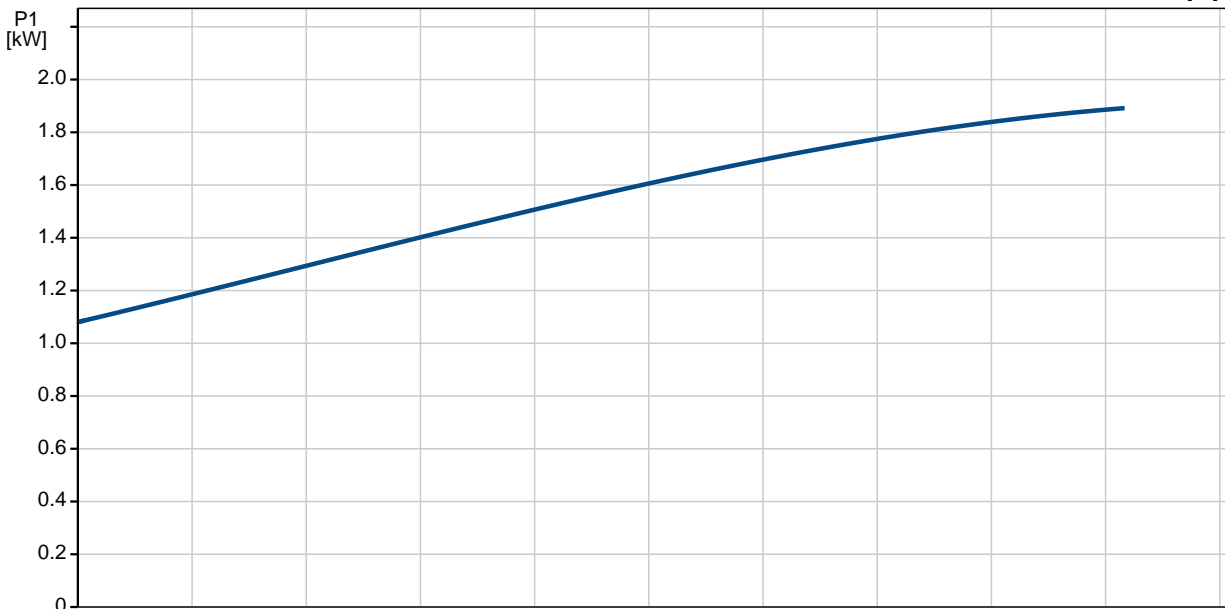
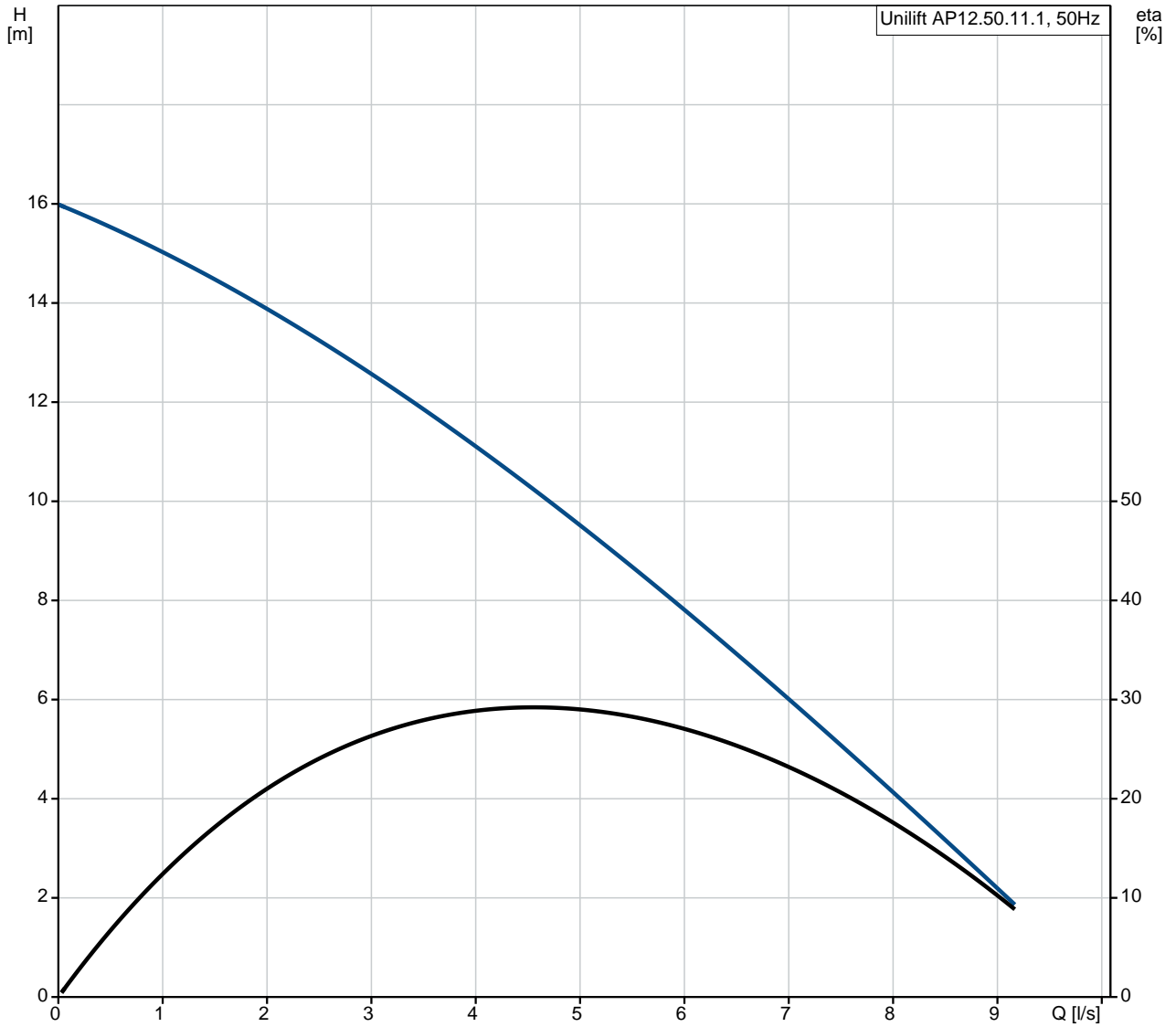
Liquid:
Pumped liquid: Any Newtonian liquid
Liquid temperature range: 0 .. 55 °C
Density: 998.2 kg/m³

Technical:

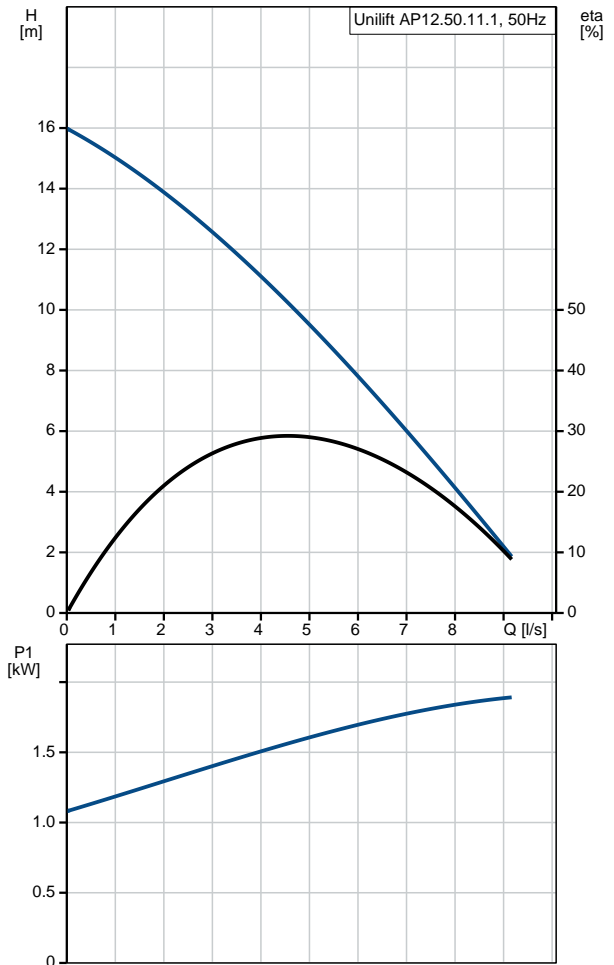
Qty. Description

Type of impeller:	SEMI OPEN
Maximum particle size:	12 mm
Materials:	
Pump housing:	Stainless steel DIN W.-Nr. 1.4301 AISI 304
Impeller:	Stainless steel DIN W.-Nr. 1.4301 AISI 304
Installation:	
Pump outlet:	Rp 2
Maximum installation depth:	7 m
Electrical data:	
Motor type 1-phase:	PSC
Power input - P1:	1.7 kW
Mains frequency:	50 Hz
Rated voltage:	1 x 230 V
Rated current:	8.5 A
Cos phi - power factor:	0.92
Rated speed:	2760 rpm
Capacitor size - run:	20 µF/400 V
Enclosure class (IEC 34-5):	IP68
Insulation class (IEC 85):	F
Length of cable:	10 m
Type of cable plug:	NONE
Others:	
Net weight:	15.7 kg
Gross weight:	16.7 kg

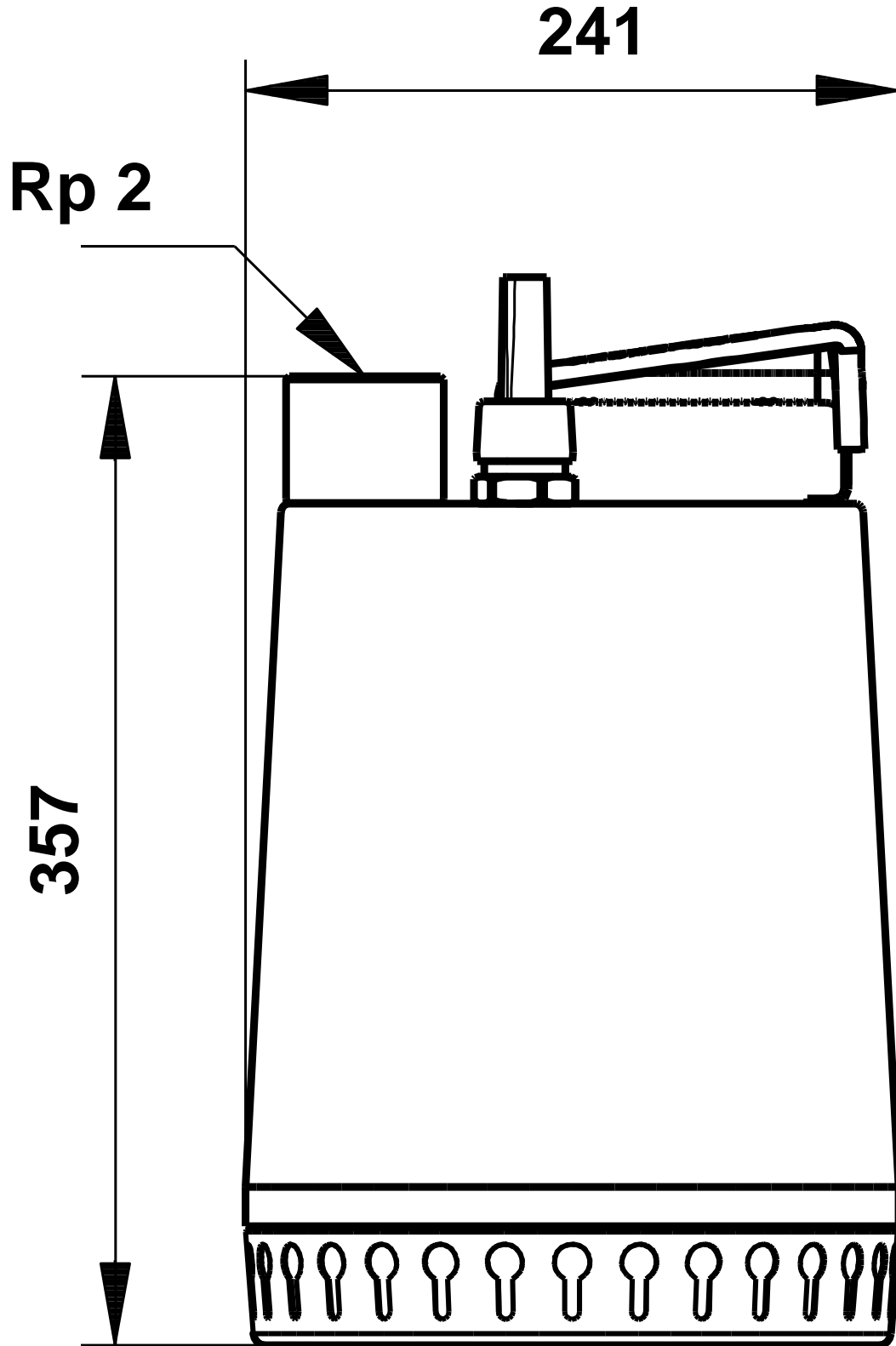
On request Unilift AP12.50.11.1 50 Hz



Description	Value
General information:	
Product name:	Unilift AP12.50.11.1
Product No:	On request
EAN number:	On request
Price:	
Technical:	
Maximum flow:	8.33 l/s
Max flow:	8.33 l/s
Head max:	17 m
Type of impeller:	SEMI OPEN
Maximum particle size:	12 mm
Materials:	
Pump housing:	Stainless steel
Pump housing:	DIN W.-Nr. 1.4301
Pump housing:	AISI 304
Impeller:	Stainless steel
Impeller:	DIN W.-Nr. 1.4301
Impeller:	AISI 304
Installation:	
Pump outlet:	Rp 2
Maximum installation depth:	7 m
Inst dry/wet:	D/S
Installation:	horizontal or vertical
Liquid:	
Pumped liquid:	Any Newtonian liquid
Liquid temperature range:	0 .. 55 °C
Density:	998.2 kg/m ³
Electrical data:	
Motor type 1-phase:	PSC
Power input - P1:	1.7 kW
P2:	1.1 kW
Mains frequency:	50 Hz
Rated voltage:	1 x 230 V
Rated current:	8.5 A
Cos phi - power factor:	0.92
Rated speed:	2760 rpm
Capacitor size - run:	20 µF/400 V
Enclosure class (IEC 34-5):	IP68
Insulation class (IEC 85):	F
Motor protec:	CONTACT
Thermal protec:	internal
Length of cable:	10 m
Type of cable plug:	NONE
Others:	
Net weight:	15.7 kg
Gross weight:	16.7 kg

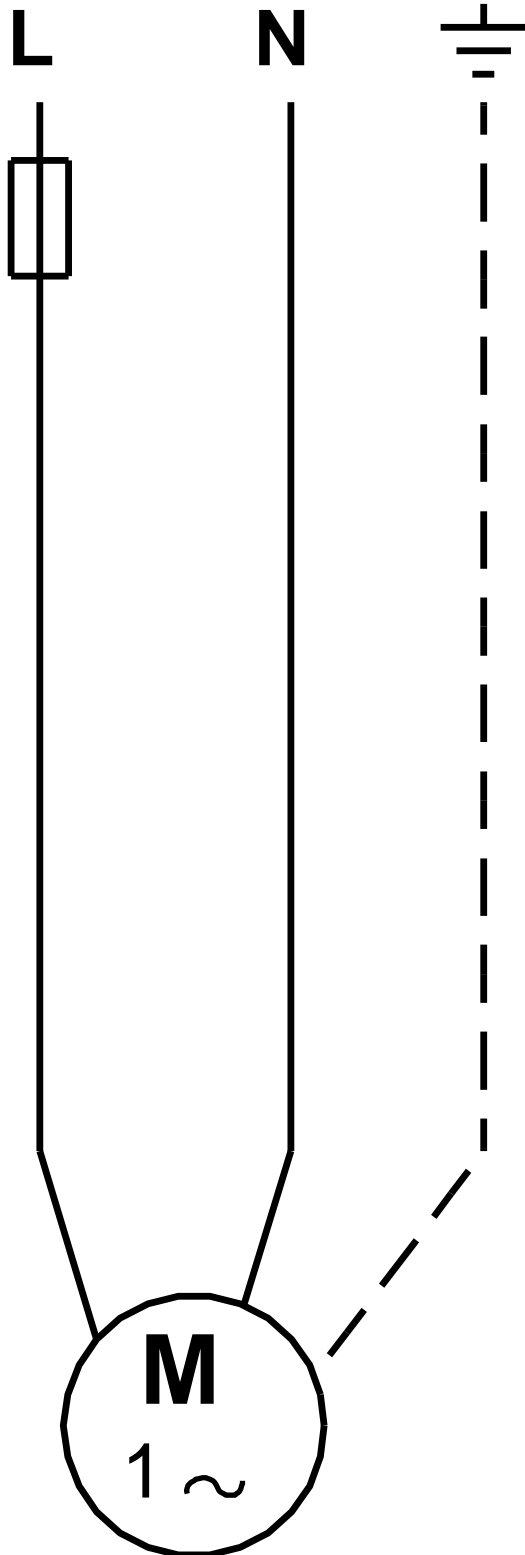


On request Unilift AP12.50.11.1 50 Hz



Note! All units are in [mm] unless others are stated.
Disclaimer: This simplified dimensional drawing does not show all details.

On request Unilift AP12.50.11.1 50 Hz



Note! All units are in [mm] unless others are stated.