

Qty. Description

1 **Unilift AP12.50.11.A1**



Note! Product picture may differ from actual product

Product No.: On request
Submersible drainage pump type

Vertical single-stage stainless steel submersible pump with vertical discharge port and integrated Phase: submersible 1-phase totally enclosed motor in insulation class F with thermal overload protection.

The pump is fitted with suction strainer and level switch for automatic start and stop.

Impeller type: The impeller is a SEMI OPEN impeller for Free passage: 12 mm free passage suitable for pumping groundwater, surface water, rain water and similar.

The pump has a double shaft seal and an intermediate oil chamber pre-filled with non-toxic special oil.

The pump has a riser pipe, a cooling jacket for continuous cooling of the motor by the pumped liquid and long-life deep-groove greased-for-life ball bearings.

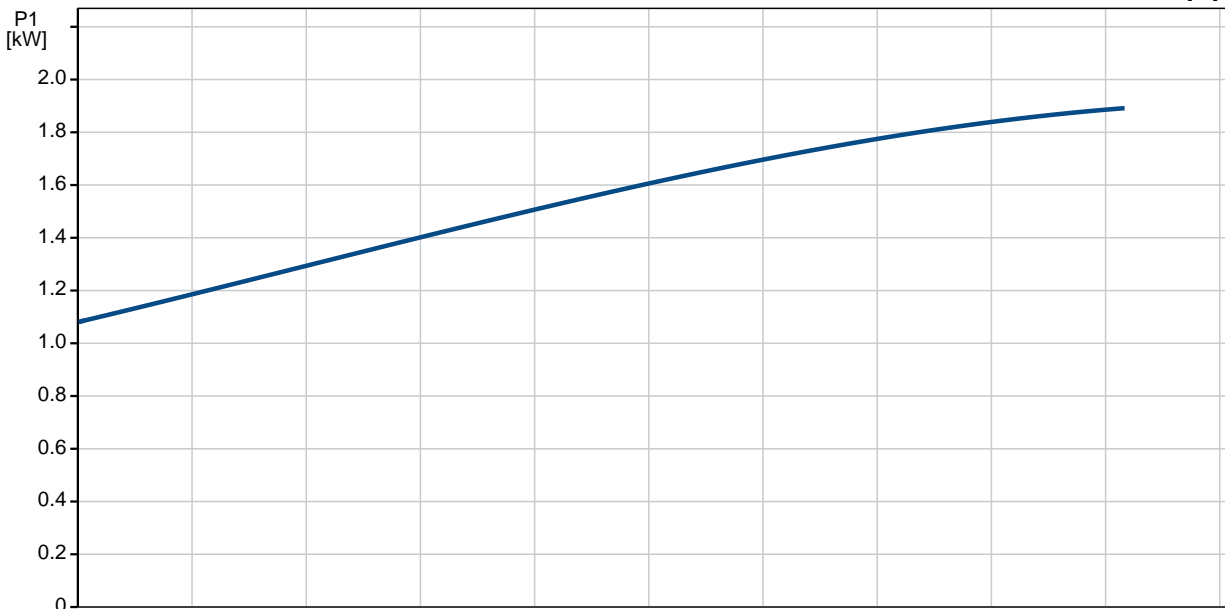
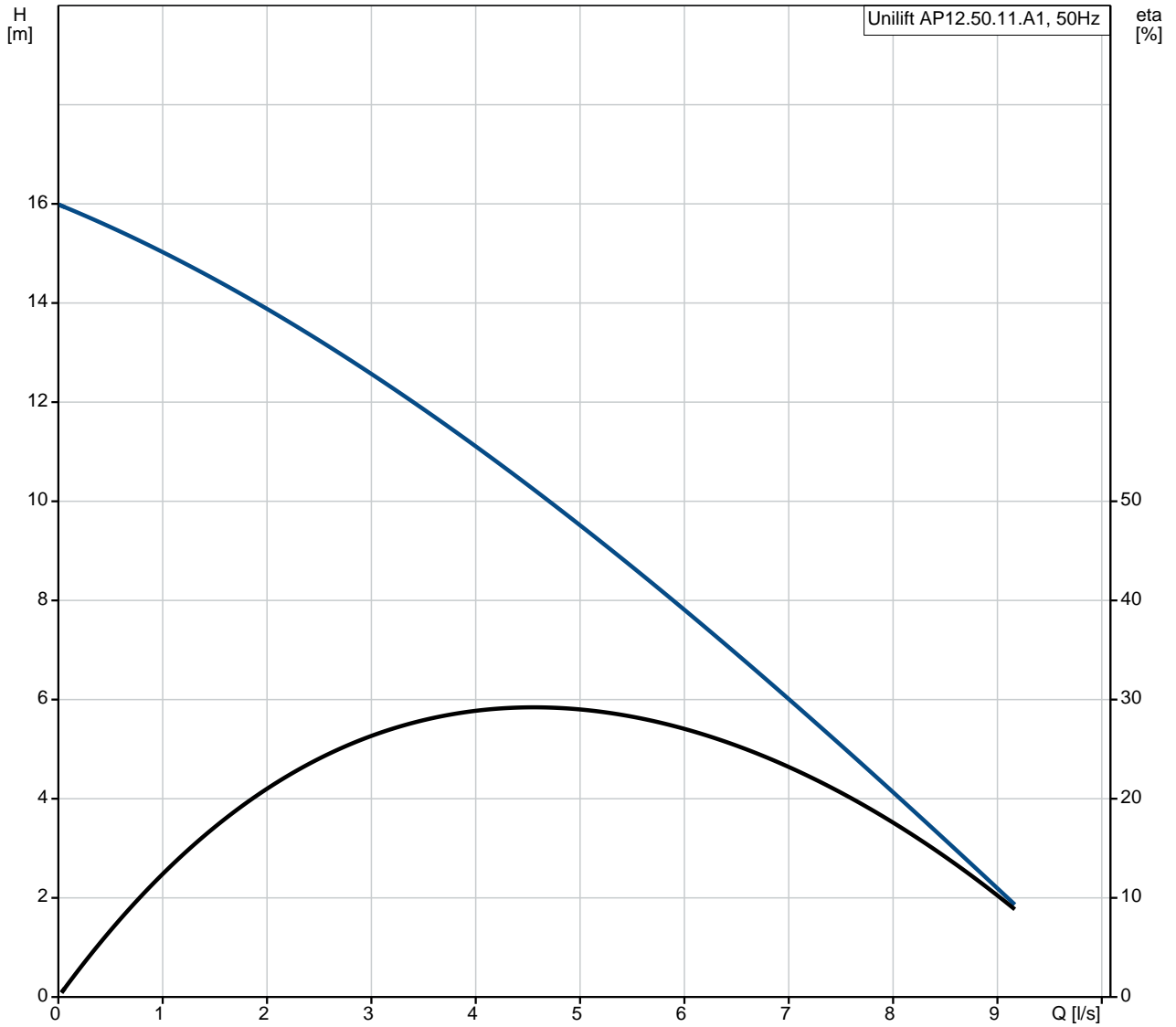
The pump is ready for use as it is fitted with carrying handle and is supplied with a Cable length: 10 m mains cable. The mains cable is of the plug type with glass sealing compound in the socket to prevent penetration of humidity into the stator windings.

Liquid:
Pumped liquid: Any Newtonian liquid
Liquid temperature range: 0 .. 55 °C
Density: 998.2 kg/m³

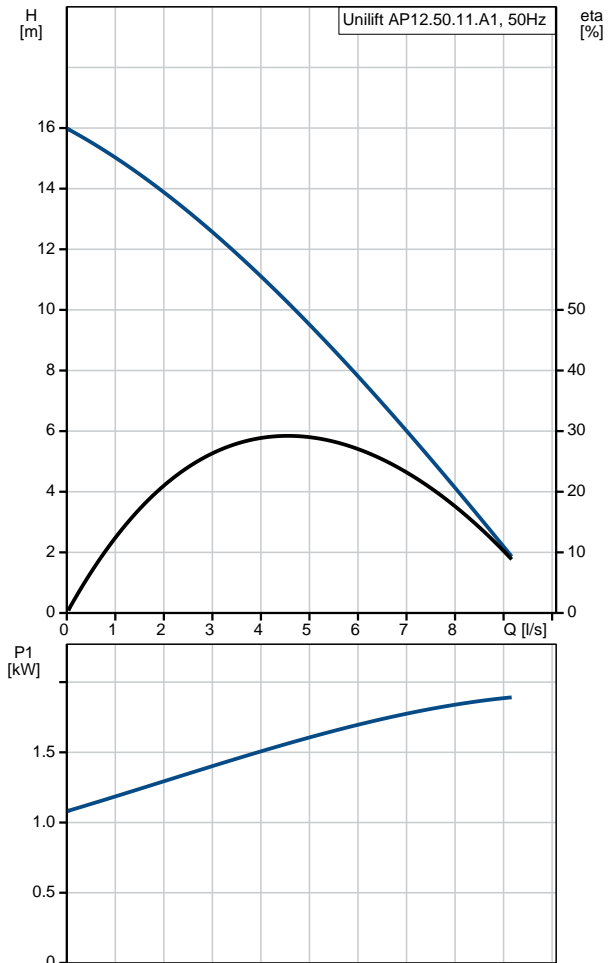
Technical:
Type of impeller: SEMI OPEN

Qty.	Description
	<p>Maximum particle size: 12 mm</p> <p>Materials:</p> <p>Pump housing: Stainless steel DIN W.-Nr. 1.4301 AISI 304</p> <p>Impeller: Stainless steel DIN W.-Nr. 1.4301 AISI 304</p> <p>Installation:</p> <p>Pump outlet: Rp 2</p> <p>Maximum installation depth: 7 m</p> <p>Electrical data:</p> <p>Motor type 1-phase: PSC</p> <p>Power input - P1: 1.7 kW</p> <p>Mains frequency: 50 Hz</p> <p>Rated voltage: 1 x 230 V</p> <p>Rated current: 8.5 A</p> <p>Cos phi - power factor: 0.92</p> <p>Rated speed: 2760 rpm</p> <p>Capacitor size - run: 20 µF/400 V</p> <p>Enclosure class (IEC 34-5): IP68</p> <p>Insulation class (IEC 85): F</p> <p>Length of cable: 10 m</p> <p>Type of cable plug: NONE</p> <p>Others:</p> <p>Net weight: 15.7 kg</p> <p>Gross weight: 16.7 kg</p>

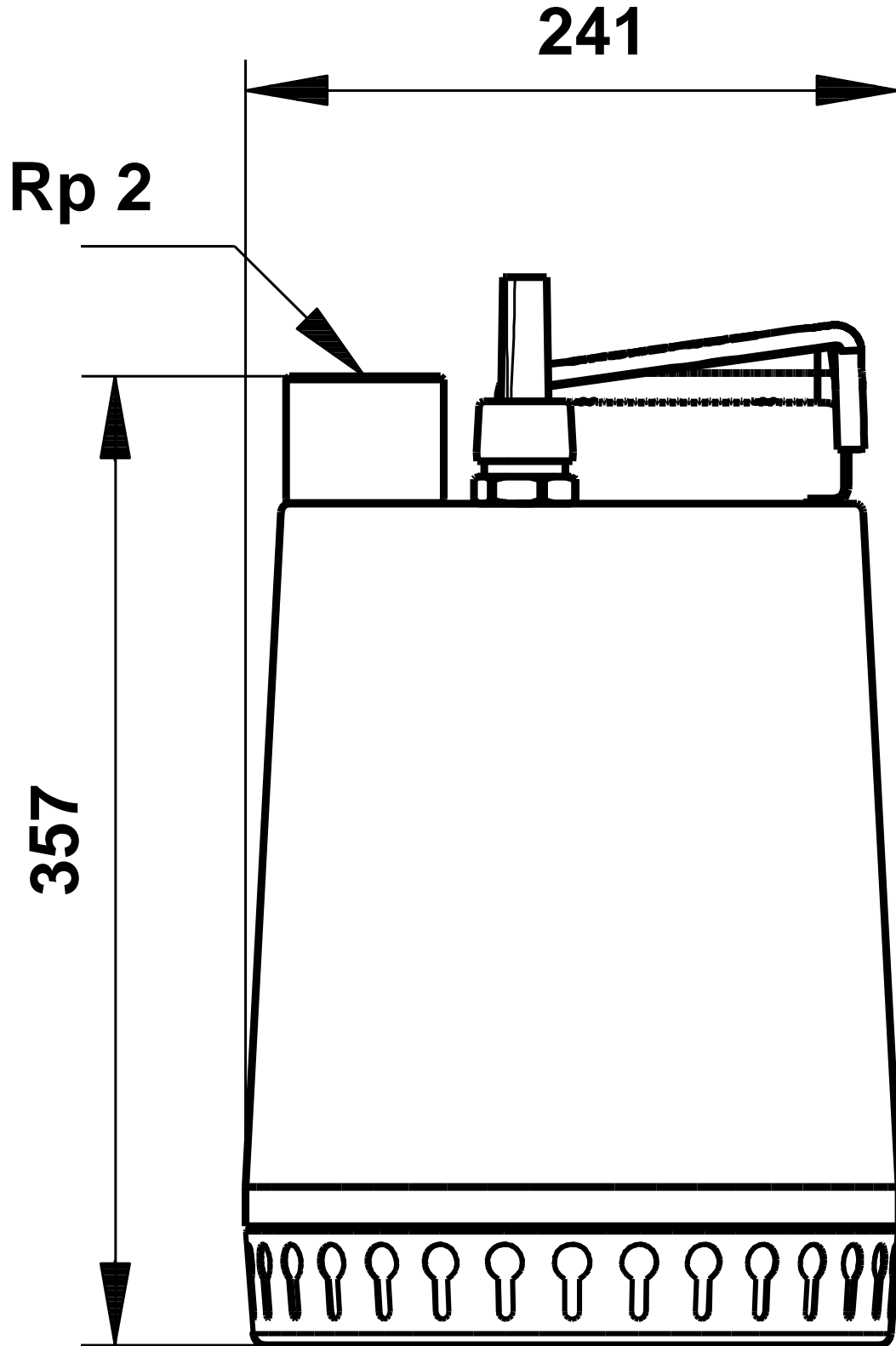
On request Unilift AP12.50.11.A1 50 Hz



Description	Value
General information:	
Product name:	Unilift AP12.50.11.A1
Product No:	On request
EAN number:	On request
Price:	
Technical:	
Maximum flow:	8.33 l/s
Max flow:	8.33 l/s
Head max:	17 m
Type of impeller:	SEMI OPEN
Maximum particle size:	12 mm
Materials:	
Pump housing:	Stainless steel
Pump housing:	DIN W.-Nr. 1.4301
Pump housing:	AISI 304
Impeller:	Stainless steel
Impeller:	DIN W.-Nr. 1.4301
Impeller:	AISI 304
Installation:	
Pump outlet:	Rp 2
Maximum installation depth:	7 m
Inst dry/wet:	D/S
Installation:	horizontal or vertical
Liquid:	
Pumped liquid:	Any Newtonian liquid
Liquid temperature range:	0 .. 55 °C
Density:	998.2 kg/m ³
Electrical data:	
Motor type 1-phase:	PSC
Power input - P1:	1.7 kW
P2:	1.1 kW
Mains frequency:	50 Hz
Rated voltage:	1 x 230 V
Rated current:	8.5 A
Cos phi - power factor:	0.92
Rated speed:	2760 rpm
Capacitor size - run:	20 µF/400 V
Enclosure class (IEC 34-5):	IP68
Insulation class (IEC 85):	F
Motor protec:	CONTACT
Thermal protec:	internal
Length of cable:	10 m
Type of cable plug:	NONE
Controls:	
Level switch:	float switch
Others:	
Net weight:	15.7 kg
Gross weight:	16.7 kg

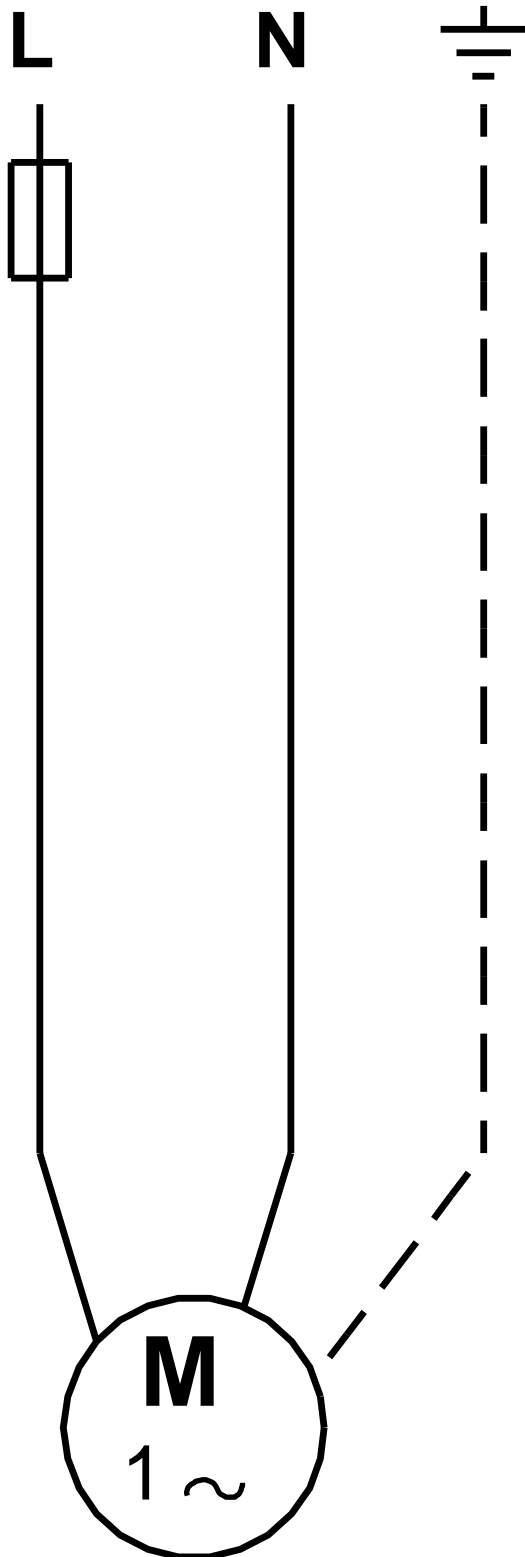


On request Unilift AP12.50.11.A1 50 Hz



Note! All units are in [mm] unless others are stated.
Disclaimer: This simplified dimensional drawing does not show all details.

On request Unilift AP12.50.11.A1 50 Hz



Note! All units are in [mm] unless others are stated.