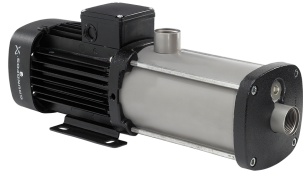


Qty.	Description
1	<p data-bbox="199 336 558 369">CM 3-6 A-R-I-E-AQQE C-A-A-N</p> <div data-bbox="231 436 534 616">  </div> <p data-bbox="590 627 1077 660" style="text-align: center;">Note! Product picture may differ from actual product</p> <p data-bbox="199 660 470 694">Product No.: 97515032</p> <p data-bbox="199 716 1452 795">Compact, reliable, horizontal, multistage, end-suction centrifugal pump with axial suction port and radial discharge port. Pump materials in contact with the liquid are in stainless steel. The mechanical shaft seal is a special designed, unbalanced O-ring seal. Pipework connection is via internal Whitworth pipe threads, Rp (ISO 7/1).</p> <p data-bbox="199 862 1093 896">The pump is fitted with a 1-phase, foot-mounted, fan-cooled asynchronous motor.</p> <p data-bbox="199 952 319 985">Controls:</p> <p data-bbox="199 974 638 1008">Frequency converter: NONE</p> <p data-bbox="199 1041 295 1075">Liquid:</p> <p data-bbox="199 1064 638 1097">Pumped liquid: Water</p> <p data-bbox="199 1097 710 1131">Liquid temperature range: -20 .. 120 °C</p> <p data-bbox="199 1131 630 1164">Selected liquid temperature: 20 °C</p> <p data-bbox="199 1164 774 1198">Density at selected liquid temperature: 998.2 kg/m³</p> <p data-bbox="199 1220 327 1254">Technical:</p> <p data-bbox="199 1243 821 1276">Pump speed on which pump data are based: 2900 rpm</p> <p data-bbox="199 1276 662 1310">Rated flow: 3.1 m³/h</p> <p data-bbox="199 1310 662 1344">Rated head: 41.53 m</p> <p data-bbox="199 1344 638 1377">Code for shaft seal: AQQE</p> <p data-bbox="199 1377 766 1411">Curve tolerance: ISO9906:2012 3B</p> <p data-bbox="199 1433 327 1467">Materials:</p> <p data-bbox="199 1456 726 1545">Pump housing: Stainless steel EN 1.4301 AISI 304</p> <p data-bbox="199 1545 726 1635">Impeller: Stainless steel EN 1.4301 AISI 304</p> <p data-bbox="199 1668 343 1702">Installation:</p> <p data-bbox="199 1691 694 1724">Range of ambient temperature: -20 .. 55 °C</p> <p data-bbox="199 1724 638 1758">Maximum operating pressure: 16 bar</p> <p data-bbox="199 1758 742 1814">Max pressure at stated temp: 16 bar / 90 °C 10 bar / 120 °C</p> <p data-bbox="199 1814 598 1848">Type of connection: Rp</p> <p data-bbox="199 1848 630 1881">Size of inlet connection: 1 inch</p> <p data-bbox="199 1881 630 1915">Size of outlet connection: 1 inch</p> <p data-bbox="199 1915 598 1948">Outlet position: 12</p> <p data-bbox="199 1971 383 2004">Electrical data:</p> <p data-bbox="199 1993 614 2027">Motor standard: IEC</p> <p data-bbox="199 2027 614 2060">Frame size: 80A</p> <p data-bbox="199 2060 662 2094">Rated power - P2: 0.67 kW</p> <p data-bbox="199 2094 630 2128">Mains frequency: 50 Hz</p>



Company name:

Created by:

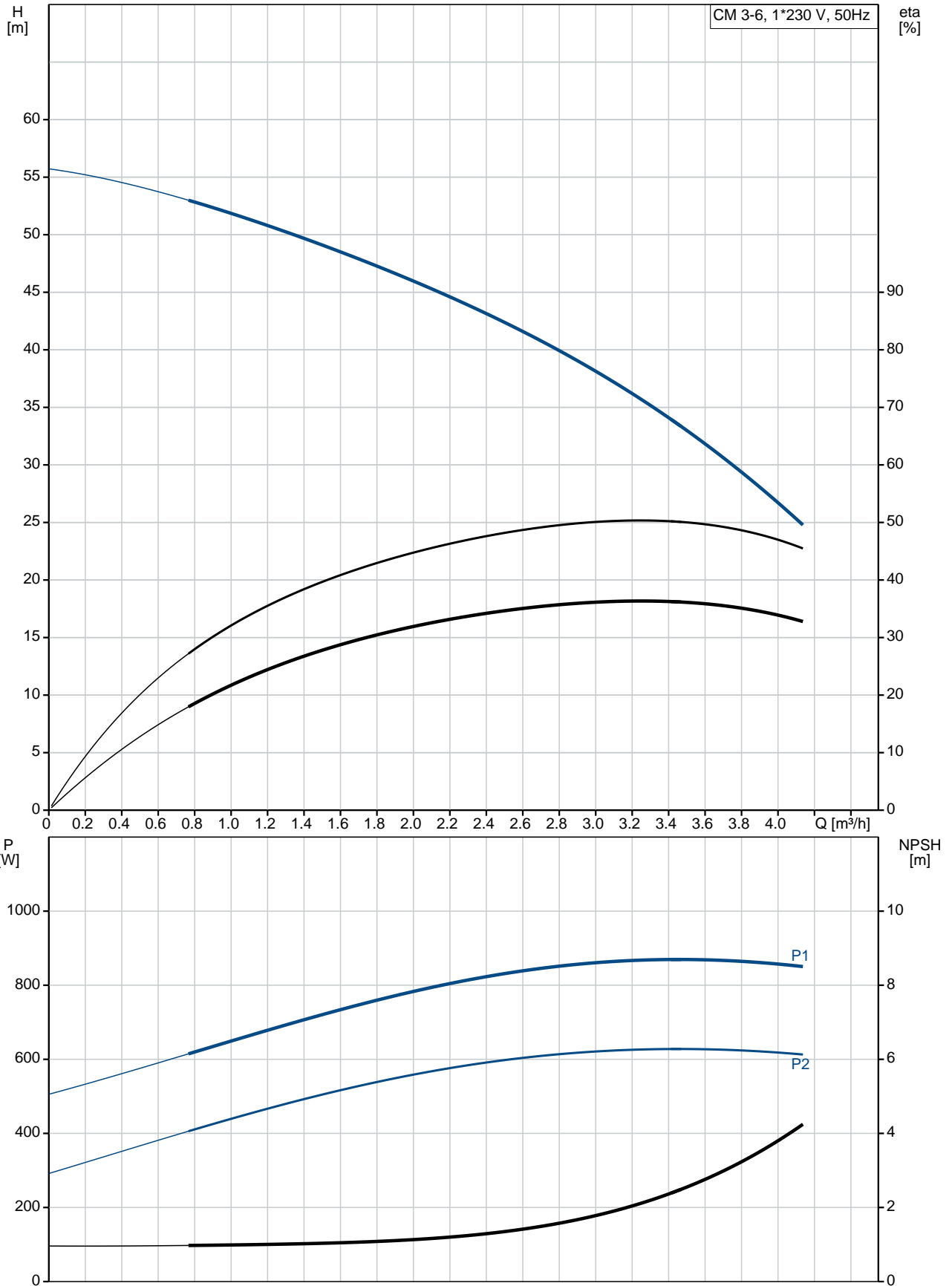
Phone:

Date:

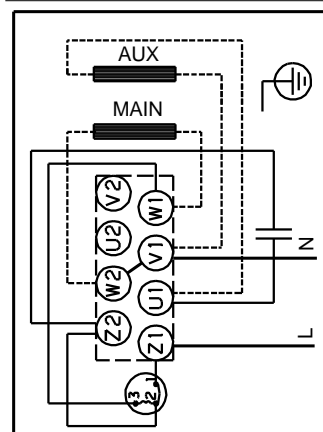
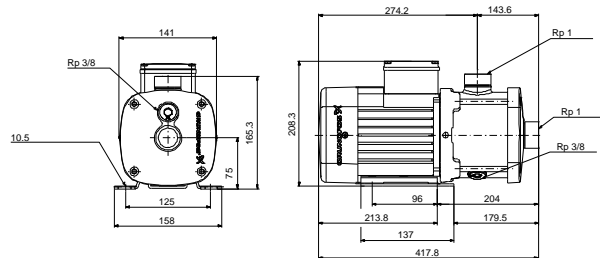
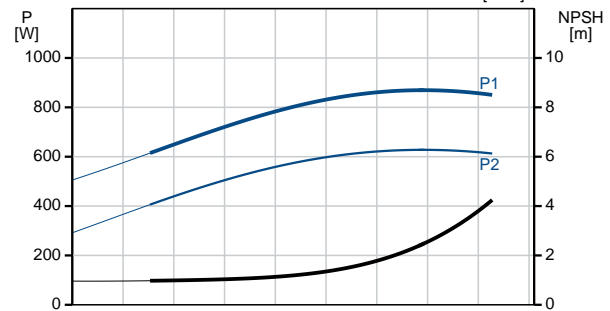
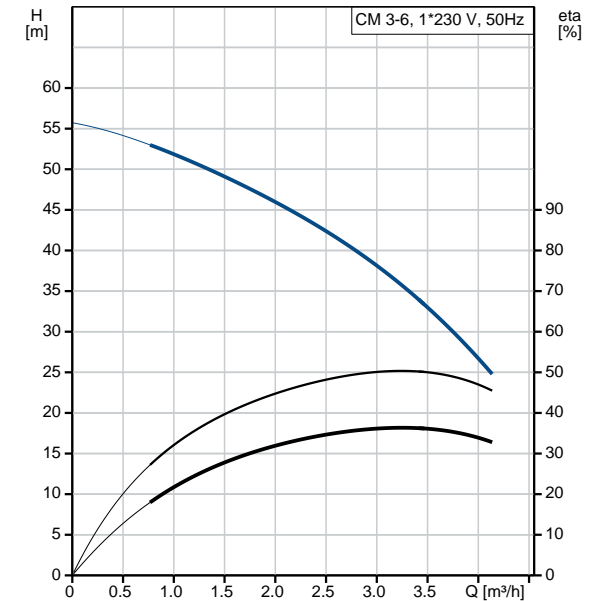
25/09/2019

Qty.	Description
	Phases: 1 Rated voltage: 220-240 V Service factor: 1.00 Rated current: 4.4-4.0 A Starting current: 390-390 % Rated speed: 2720-2800 rpm Enclosure class (IEC 34-5): IP55 Insulation class (IEC 85): F Built-in motor protection: PTO Others: Terminal box position: 12 Minimum efficiency index, MEI : 0.7 Net weight: 15.1 kg Gross weight: 17.6 kg Approvals: CE,WRAS,ACS,TR,EAC Country of origin: HU Custom tariff no.: 84137075

97515032 CM 3-6 A-R-I-E-AQQE C-A-A-N 50 Hz



Description	Value
General information:	
Product name:	CM 3-6 A-R-I-E-AQQE C-A-A-N
Product No:	97515032
EAN number:	5700317261969
	5700317261969
Price:	704,00 GBP
Technical:	
Pump speed on which pump data are based:	2900 rpm
Rated flow:	3.1 m ³ /h
Rated head:	41.53 m
Impellers:	6
Code for shaft seal:	AQQE
Curve tolerance:	ISO9906:2012 3B
Pump version:	A
Model:	A
Materials:	
Pump housing:	Stainless steel
	EN 1.4301
	AISI 304
Impeller:	Stainless steel
	EN 1.4301
	AISI 304
Material code:	I
Code for rubber:	E
Installation:	
Range of ambient temperature:	-20 .. 55 °C
Maximum operating pressure:	16 bar
Max pressure at stated temp:	16 bar / 90 °C
	10 bar / 120 °C
Type of connection:	Rp
Size of inlet connection:	1 inch
Size of outlet connection:	1 inch
Outlet position:	12
Connect code:	R
Liquid:	
Pumped liquid:	Water
Liquid temperature range:	-20 .. 120 °C
Selected liquid temperature:	20 °C
Density at selected liquid temperature:	998.2 kg/m ³
Electrical data:	
Motor standard:	IEC
Frame size:	80A
Rated power - P2:	0.67 kW
Mains frequency:	50 Hz
Phases:	1
Rated voltage:	220-240 V
Service factor:	1.00
Rated current:	4.4-4.0 A
Starting current:	390-390 %
Rated speed:	2720-2800 rpm
Enclosure class (IEC 34-5):	IP55
Insulation class (IEC 85):	F
Built-in motor protection:	PTO
Controls:	
Frequency converter:	NONE
Others:	
Terminal box position:	12





Company name:

Created by:

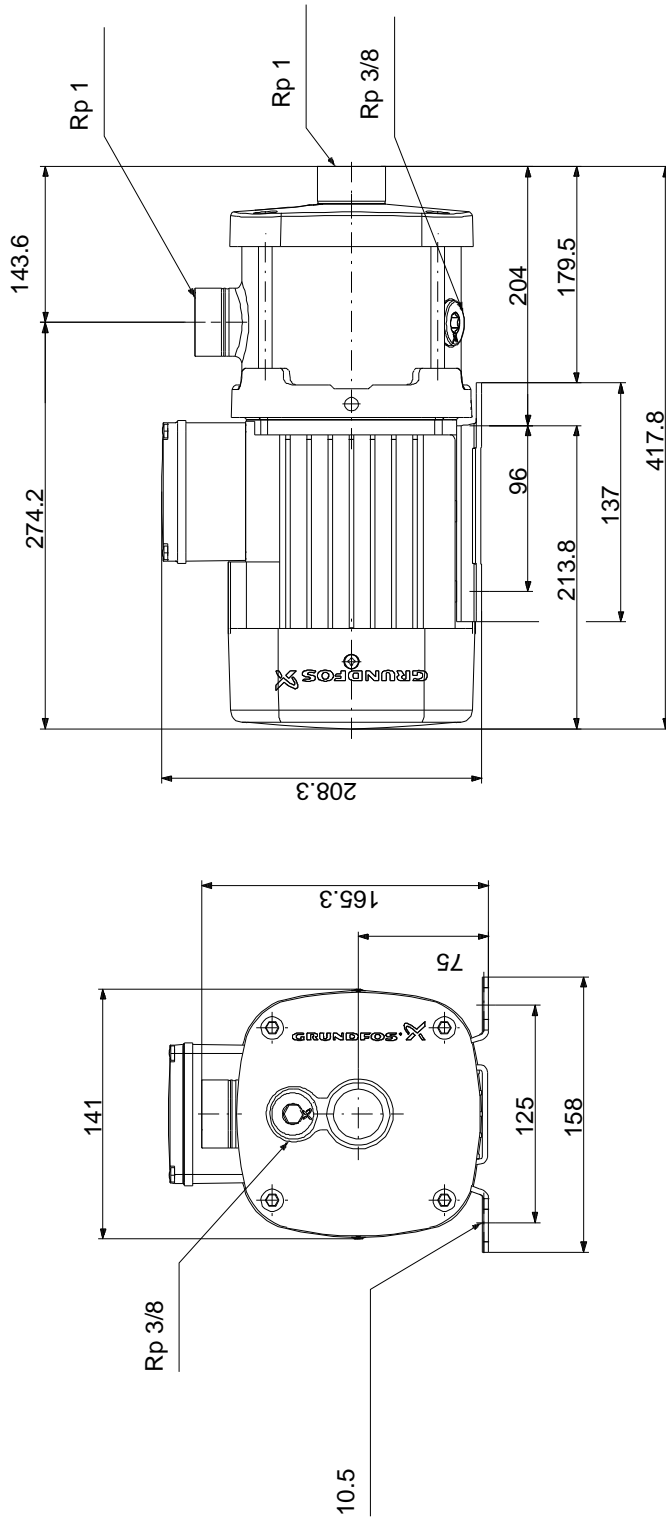
Phone:

Date:

25/09/2019

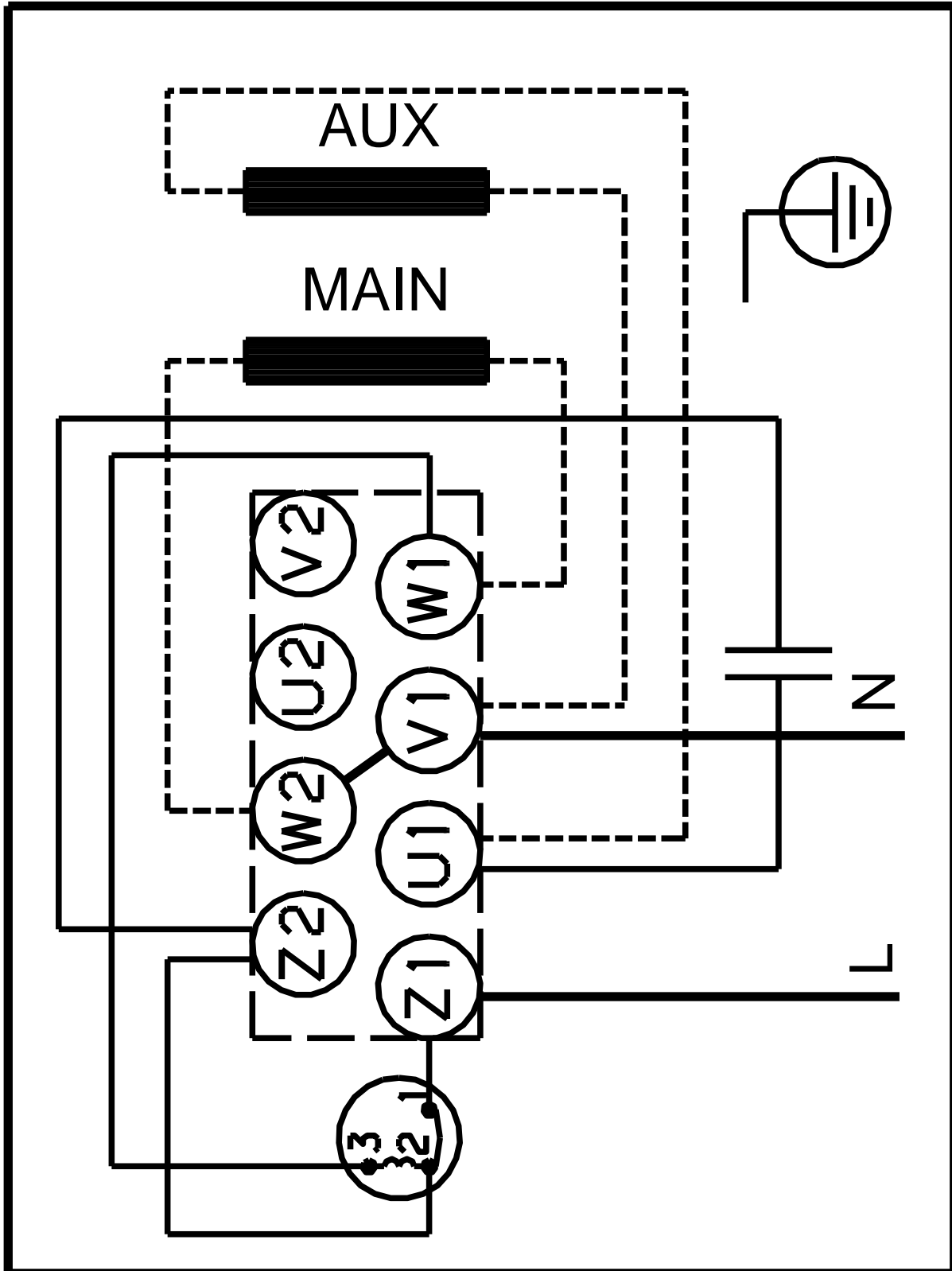
Description	Value
Minimum efficiency index, MEI :	0.7
Net weight:	15.1 kg
Gross weight:	17.6 kg
Approvals:	CE,WRAS,ACS,TR,EAC
Country of origin:	HU
Custom tariff no.:	84137075

97515032 CM 3-6 A-R-I-E-AQQE C-A-A-N 50 Hz



Note! All units are in [mm] unless others are stated.
Disclaimer: This simplified dimensional drawing does not show all details.

97515032 CM 3-6 A-R-I-E-AQQE C-A-A-N 50 Hz



Note! All units are in [mm] unless others are stated.