




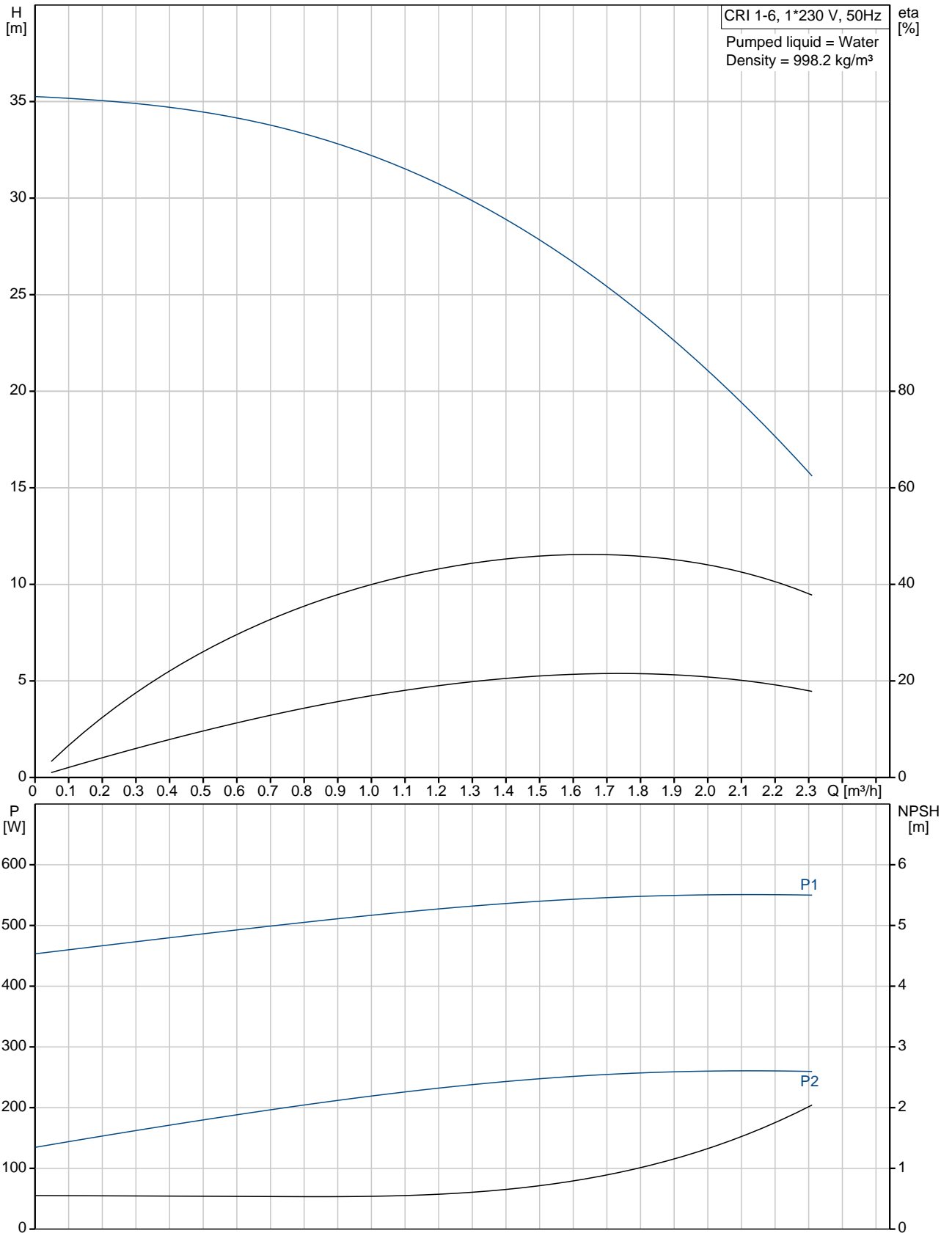
Position	Qty.	Description
	1	<p>CRI 1-6 A-CA-I-V-HQQV</p>  <p style="text-align: right;">Note! Product picture may differ from actual product</p> <p>Product No.: 96532168 Vertical, non-self-priming, multistage, in-line, centrifugal pump for installation in pipe systems and mounting on a foundation.</p> <p>The pump has the following characteristics:</p> <ul style="list-style-type: none"> - Impellers, intermediate chambers and outer sleeve are made of Stainless steel, DIN W.-Nr. 1.4301. - Pump head cover and base are made of Stainless steel, DIN W.-Nr. 1.4408. - The shaft seal has assembly length according to EN 12756. - Power transmission is via cast iron split coupling. - Pipework connection is via CLAMP flanges/couplings. <p>The motor is a 1-phase AC motor.</p> <p>Liquid: Pumped liquid: Water Liquid temperature range: -20 .. 90 °C Liquid temp: 20 °C Density: 998.2 kg/m³ Kinematic viscosity: 1 mm²/s</p> <p>Technical: Speed for pump data: 2757 rpm Rated flow: 1.8 m³/h Rated head: 27.9 m Shaft seal: HQQV Approvals on nameplate: CE</p> <p>Materials: Pump housing: Stainless steel Pump housing: DIN W.-Nr. 1.4408 Pump housing: ASTM A 351 CF 8M Impeller: Stainless steel Impeller: DIN W.-Nr. 1.4301 Impeller: AISI 304</p> <p>Installation: Maximum ambient temperature: 40 °C</p>



Position	Qty.	Description
		Max pressure at stated temp: 25 bar / 90 °C Max pressure at stated temp: 25 bar / -20 °C Flange standard: CLAMP Pipe connection: 59 mm Flange size for motor: FT85 Electrical data: Motor type: 71B IE Efficiency class: NA Number of poles: 2 Rated power - P2: 0.37 kW Power (P2) required by pump: 0.37 kW Mains frequency: 50 Hz Rated voltage: 1 x 220-230/240 V Rated current: 2,95/2,70 A Starting current: 280 % Cos phi - power factor: 0,99 Rated speed: 2770 rpm Motor efficiency at full load: 60,0-56,0 % Enclosure class (IEC 34-5): 55 (Protect. water jets/dust) Insulation class (IEC 85): F Others: Net weight: 18.6 kg Gross weight: 21.2 kg Shipping volume: 0.05 m3



96532168 CRI 1-6 50 Hz





Company name: -
Created by: -
Phone: -
Fax: -
Date: -

Description	Value
Product name:	CRI 1-6 A-CA-I-V-HQQV
Product No:	96532168
EAN number:	5700397367605

Technical:

Speed for pump data:	2757 rpm
Rated flow:	1.8 m³/h
Rated head:	27.9 m
Impellers:	6
Shaft seal:	HQQV
Approvals on nameplate:	CE
Stages:	6
Pump version:	A
Model:	A

Materials:

Pump housing:	Stainless steel DIN W.-Nr. 1.4408
Impeller:	ASTM A 351 CF 8M Stainless steel DIN W.-Nr. 1.4301 AISI 304
Material code:	I
Code for rubber:	V

Installation:

Maximum ambient temperature:	40 °C
Max pressure at stated temp:	25 bar / 90 °C 25 bar / -20 °C
Flange standard:	CLAMP
Connect code:	CA
Pipe connection:	59 mm
Flange size for motor:	FT85

Liquid:

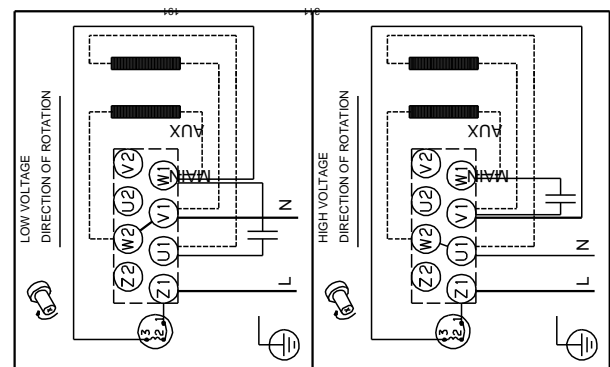
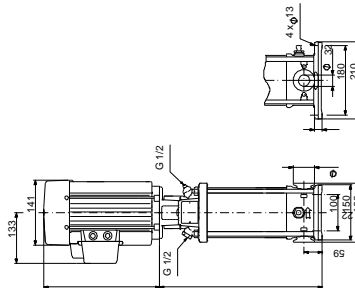
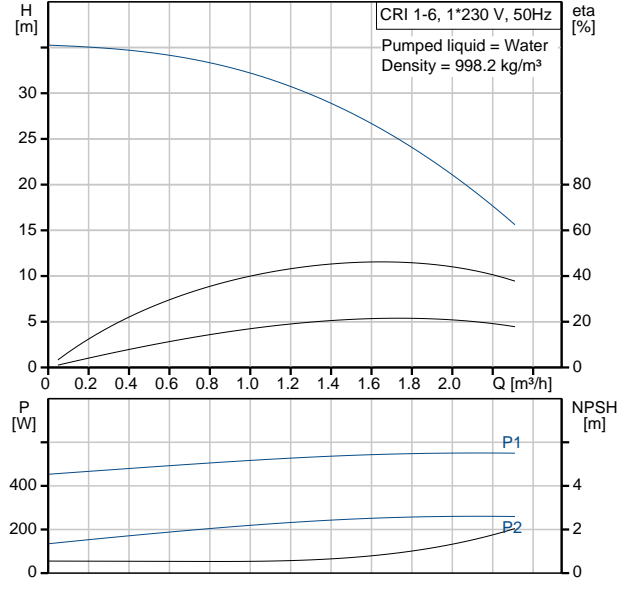
Pumped liquid:	Water
Liquid temperature range:	-20 .. 90 °C
Liquid temp:	20 °C
Density:	998.2 kg/m³
Kinematic viscosity:	1 mm²/s

Electrical data:

Motor type:	71B
IE Efficiency class:	NA
Number of poles:	2
Rated power - P2:	0.37 kW
Power (P2) required by pump:	0.37 kW
Mains frequency:	50 Hz
Rated voltage:	1 x 220-230/240 V
Rated current:	2,95/2,70 A
Starting current:	280 %
Cos phi - power factor:	0,99
Rated speed:	2770 rpm
Motor efficiency at full load:	60,0-56,0 %
Enclosure class (IEC 34-5):	55 (Protect. water jets/dust)
Insulation class (IEC 85):	F
Motor protec:	PTO
Motor No:	85215102

Others:

Net weight:	18.6 kg
Gross weight:	21.2 kg
Shipping volume:	0.05 m3
Sales region:	GB

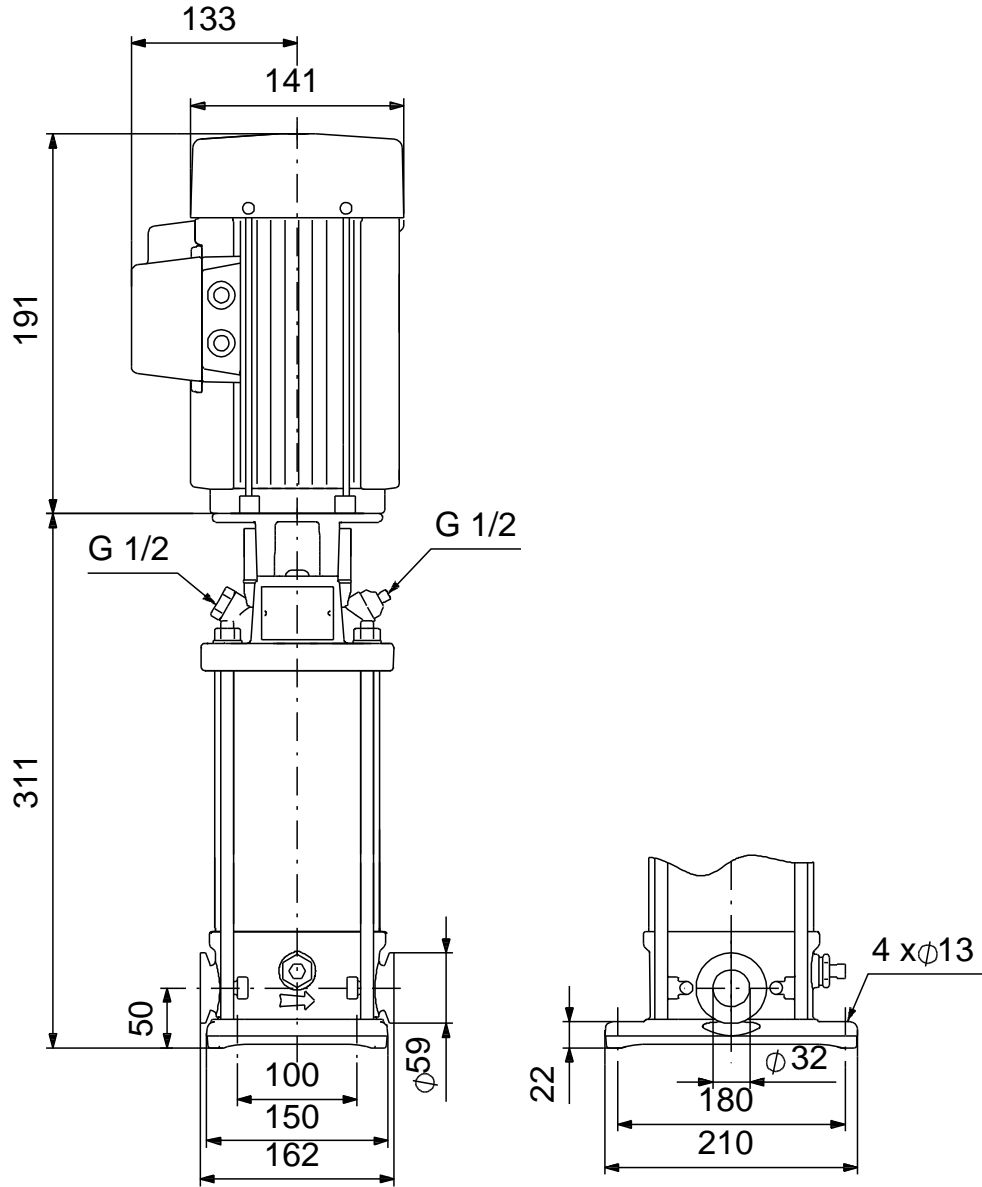




Company name: -
Created by: -
Phone: -
Fax: -
Date: -

Description	Value
-------------	-------

96532168 CRI 1-6 50 Hz



Note! All units are in [mm] unless others are stated.
 Disclaimer: This simplified dimensional drawing does not show all details.