
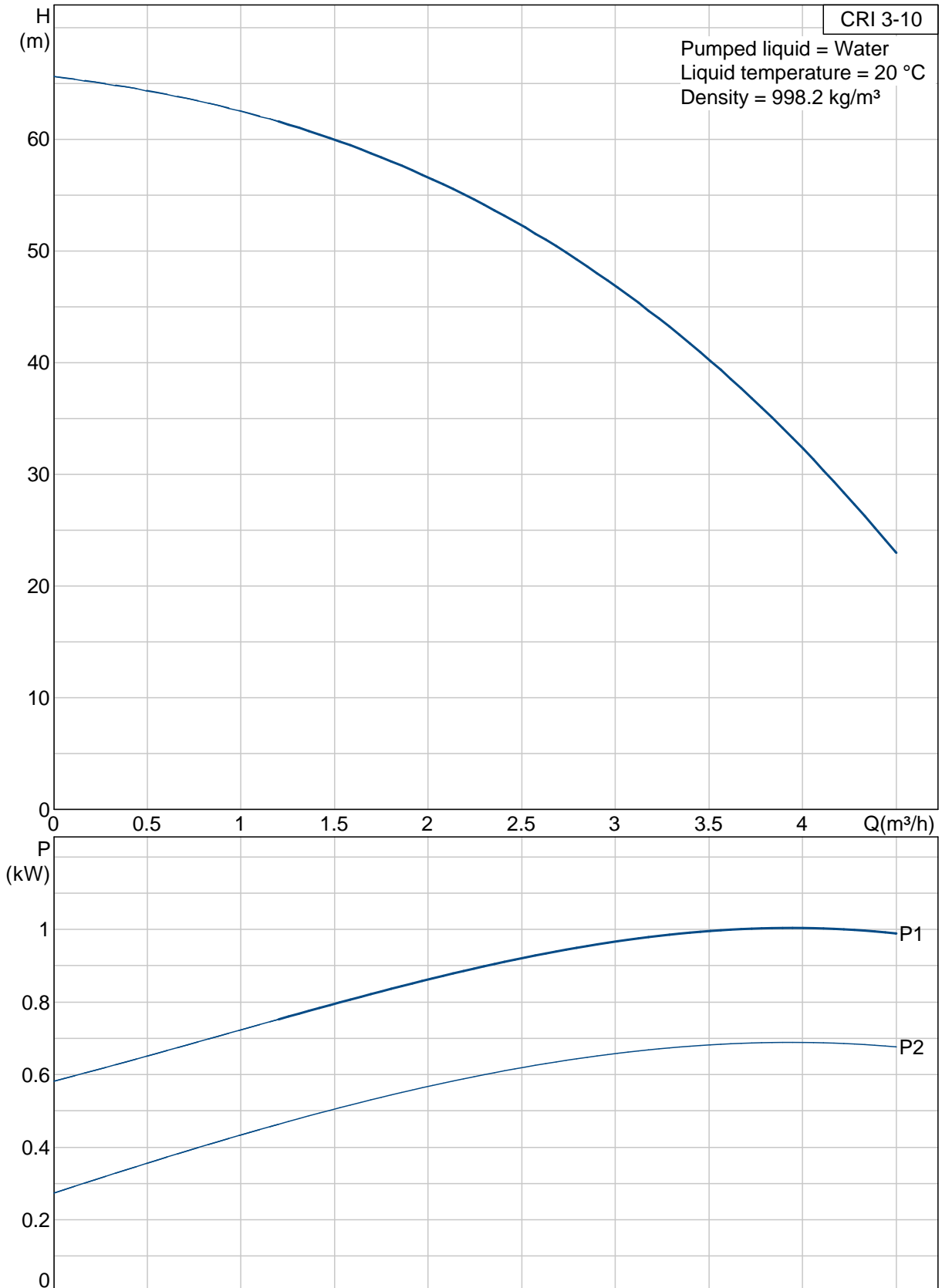


Position	Qty.	Description	Single Price
	1	<p>CRI 3-10 A-CA-I-V HQV</p>  <p>Note! Product picture may differ from actual product</p> <p>Product No.: 96533218 Vertical, non-self-priming, multistage, in-line, centrifugal pump for installation in pipe systems and mounting on a foundation.</p> <p>The pump has the following characteristics:</p> <ul style="list-style-type: none"> - Impellers, intermediate chambers and outer sleeve are made of Stainless steel DIN W.-Nr. DIN W.-Nr. 1.4301. - Pump head cover and base are made of Stainless steel DIN W.-Nr. DIN W.-Nr. 1.4408. - The shaft seal has assembly length according to EN 12756. - Power transmission is via cast iron split coupling. - Pipework connection is via CLAMP flanges/couplings. <p>The motor is a 1-phase AC motor.</p> <p>Liquid: Liquid temperature range: -20 .. 90 °C Liquid temp: 20 °C Density: 998.2 kg/m³</p> <p>Technical: Speed for pump data: 2759 rpm Rated flow: 3 m³/h Rated head: 43.6 m Shaft seal: HQV Approvals on nameplate: CE Curve tolerance: ISO 9906 Annex A</p> <p>Materials: Pump housing: Stainless steel DIN W.-Nr. 1.4408 ASTM A 351 CF 8M Impeller: Stainless steel DIN W.-Nr. 1.4301 AISI 304</p> <p>Installation: Maximum ambient temperature: 40 °C Max pressure at stated temp: 25 bar / 90 °C 25 bar / -20 °C</p>	On request

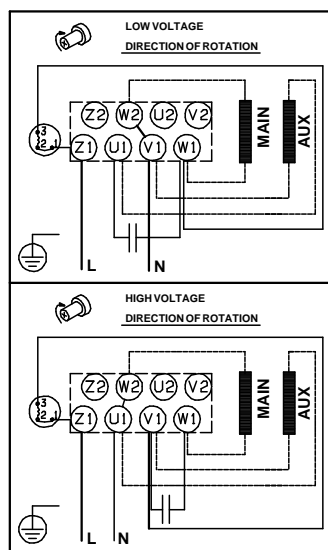
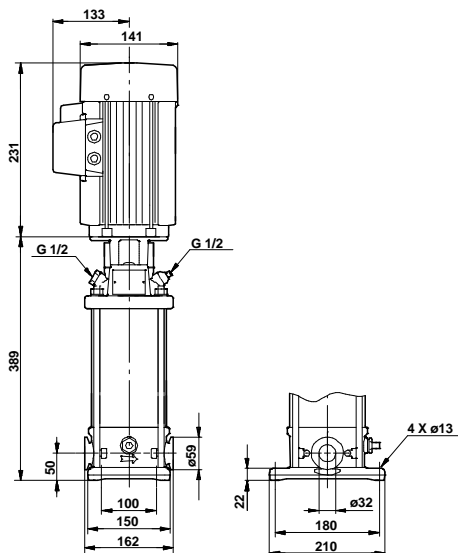
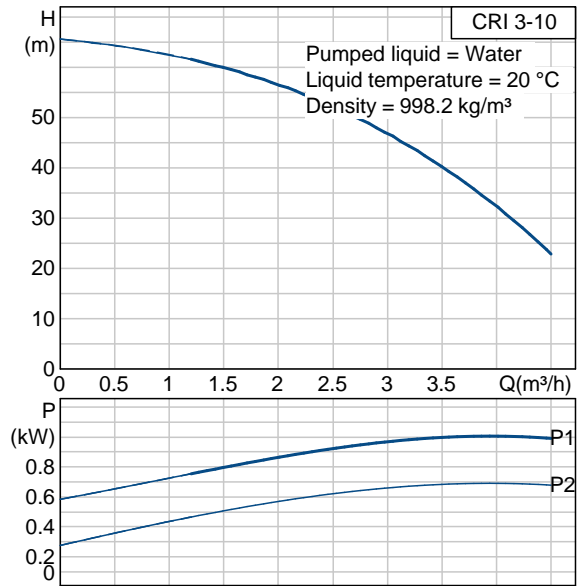
Position	Qty.	Description	Single Price
		Flange standard: CLAMP Pipe connection: 59 mm Flange size for motor: FT100 Electrical data: Motor type: 80B Number of poles: 2 Rated power - P2: 0.75 kW Power (P2) required by pump: 0.75 kW Mains frequency: 50 Hz Rated voltage: 1 x 220-230 / 240 V Rated current: 5.1 / 4.75 A Starting current: 300 % Cos phi - power factor: 0,99 Rated speed: 2780 rpm Motor efficiency at full load: 69-67 % Enclosure class (IEC 34-5): 55 Insulation class (IEC 85): F Others: Net weight: 22.3 kg Gross weight: 24.8 kg Shipping volume: 0.05 m3	



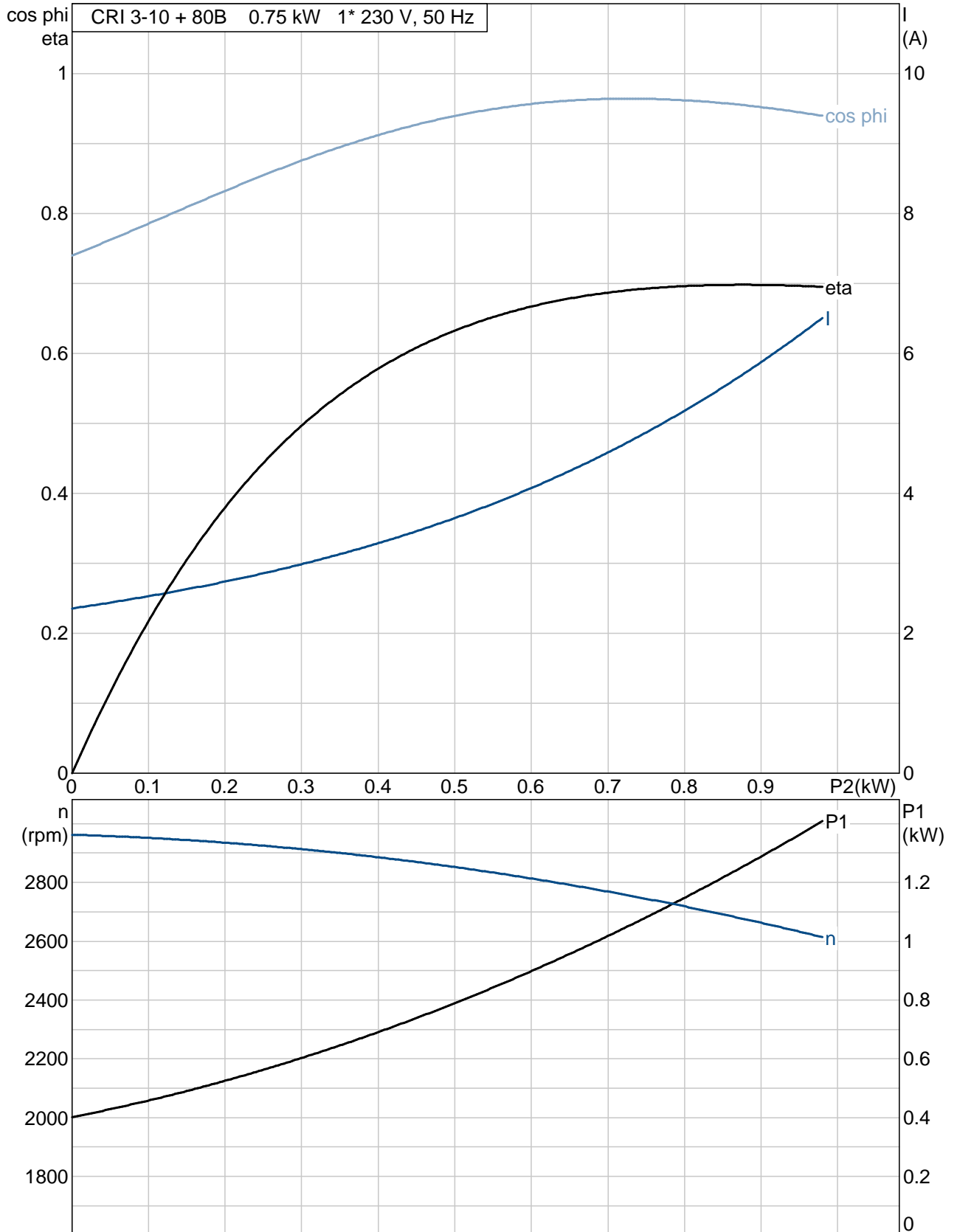
96533218 CRI 3-10 50 Hz



Description	Value
Product name:	CRI 3-10 A-CA-I-V HQQV
Product No:	96533218
EAN number:	5700397434642
Technical:	
Speed for pump data:	2759 rpm
Rated flow:	3 m ³ /h
Rated head:	43.6 m
Impellers:	10
Shaft seal:	HQQV
Approvals on nameplate:	CE
Curve tolerance:	ISO 9906 Annex A
Stages:	10
Pump version:	A
Model:	A
Materials:	
Pump housing:	Stainless steel DIN W.-Nr. 1.4408 ASTM A 351 CF 8M
Impeller:	Stainless steel DIN W.-Nr. 1.4301 AISI 304
Material code:	I
Code for rubber:	V
Installation:	
Maximum ambient temperature:	40 °C
Max pressure at stated temp:	25 bar / 90 °C 25 bar / -20 °C
Flange standard:	CLAMP
Connect code:	CA
Pipe connection:	59 mm
Flange size for motor:	FT100
Liquid:	
Liquid temperature range:	-20 .. 90 °C
Liquid temp:	20 °C
Density:	998.2 kg/m ³
Electrical data:	
Motor type:	80B
Number of poles:	2
Rated power - P2:	0.75 kW
Power (P2) required by pump:	0.75 kW
Mains frequency:	50 Hz
Rated voltage:	1 x 220-230 / 240 V
Rated current:	5.1 / 4.75 A
Starting current:	300 %
Cos phi - power factor:	0,99
Rated speed:	2780 rpm
Motor efficiency at full load:	69-67 %
Enclosure class (IEC 34-5):	55
Insulation class (IEC 85):	F
Motor protec:	PTO
Motor No:	85215104
Others:	
Net weight:	22.3 kg
Gross weight:	24.8 kg
Shipping volume:	0.05 m ³
Sales region:	GB

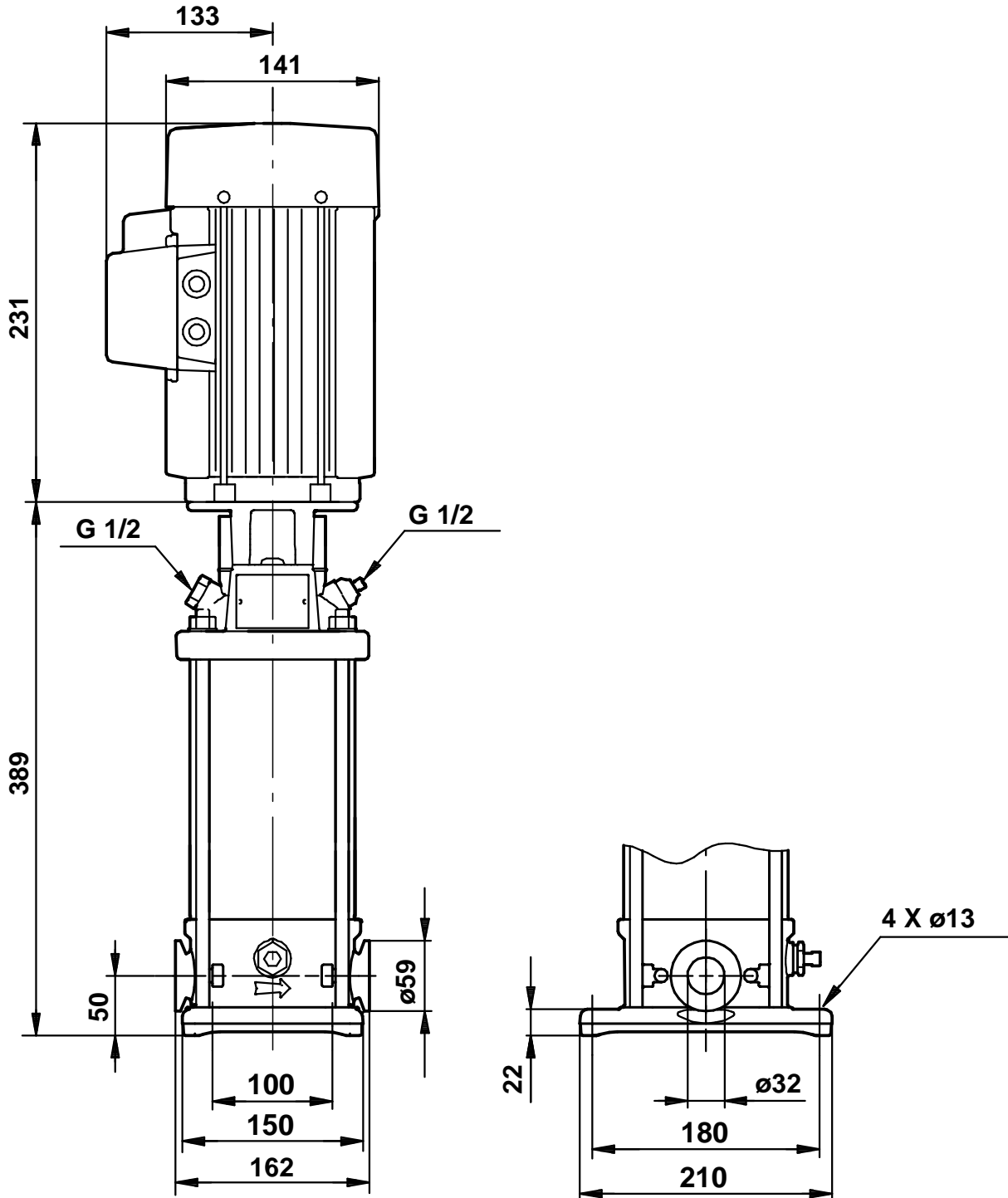


96533218 CRI 3-10 50 Hz



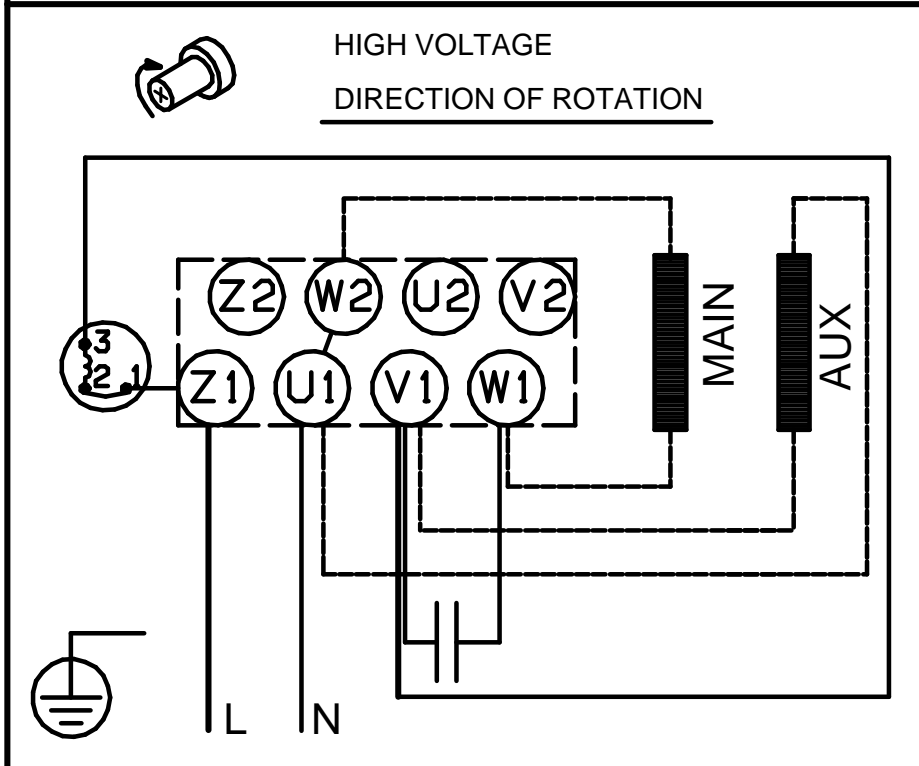
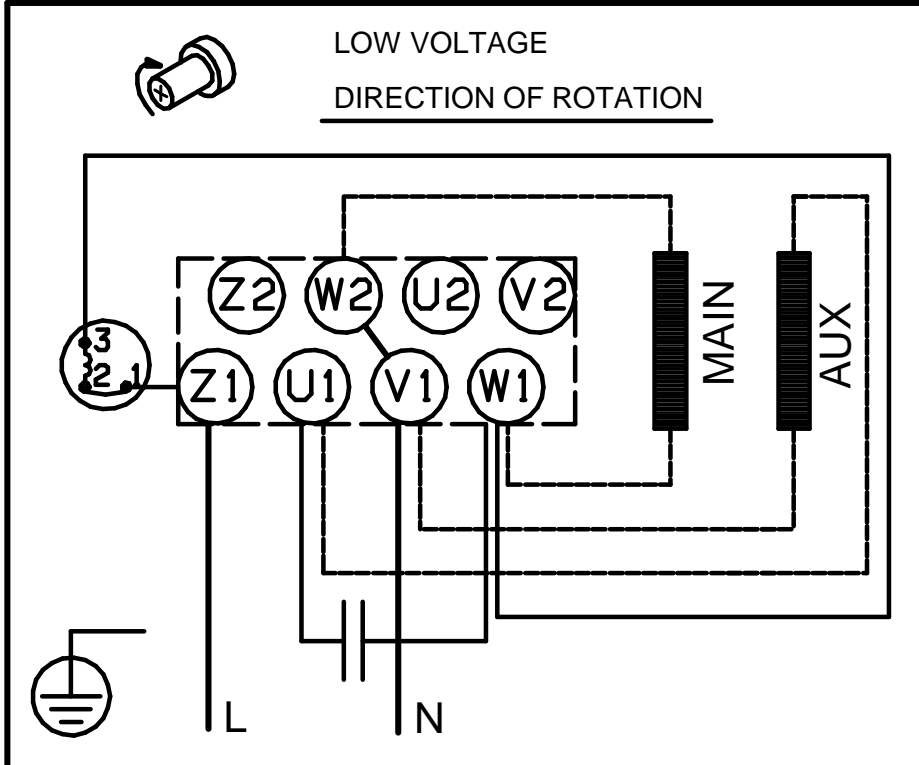


96533218 CRI 3-10 50 Hz



Note! All units are in [mm] unless others are stated.
Disclaimer: This simplified dimensional drawing does not show all details.

96533218 CRI 3-10 50 Hz



Note! All units are in [mm] unless others are stated.