

Qty.	Description
------	-------------

1	CRI 3-19 A-FGJ-A-V-HQQV
---	-------------------------



Note! Product picture may differ from actual product

Product No.: [96533224](#)

Vertical, multistage centrifugal pump with inlet and outlet ports on same the level (inline). Pump materials in contact with the liquid are in stainless steel. A cartridge shaft seal ensures high reliability, safe handling, and easy access and service. Power transmission is via a rigid split coupling. Pipe connection is via combined DIN-ANSI-JIS flanges.

The pump is fitted with a 1-phase, fan-cooled asynchronous motor.
The pump is fitted with a 1-phase, fan-cooled asynchronous motor.

Controls:

Frequency converter: NONE

Liquid:

Pumped liquid: Water
Liquid temperature range: -20 .. 90 °C
Selected liquid temperature: 20 °C
Density at selected liquid temperature: 998.2 kg/m³

Technical:

Pump speed on which pump data are based: 2767 rpm
Rated flow: 3 m³/h
Rated head: 84.1 m
Pump orientation: Vertical
Shaft seal arrangement: Single
Code for shaft seal: HQQV
Approvals on nameplate: CE, EAC
Curve tolerance: ISO9906:2012 3B

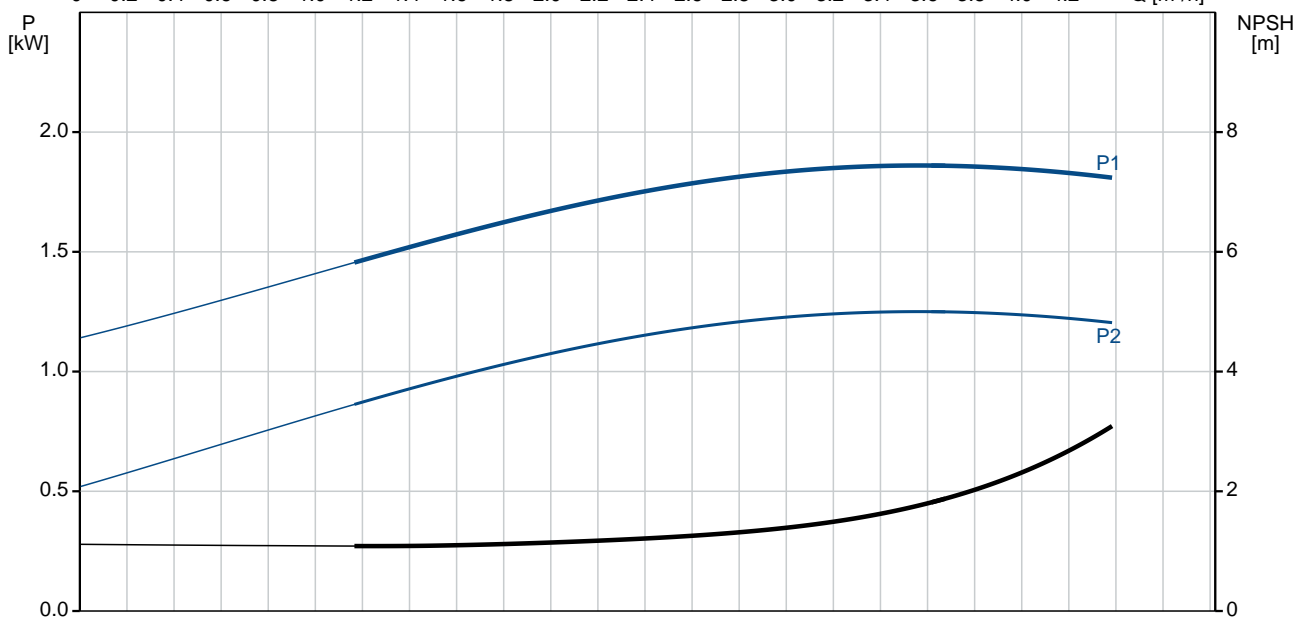
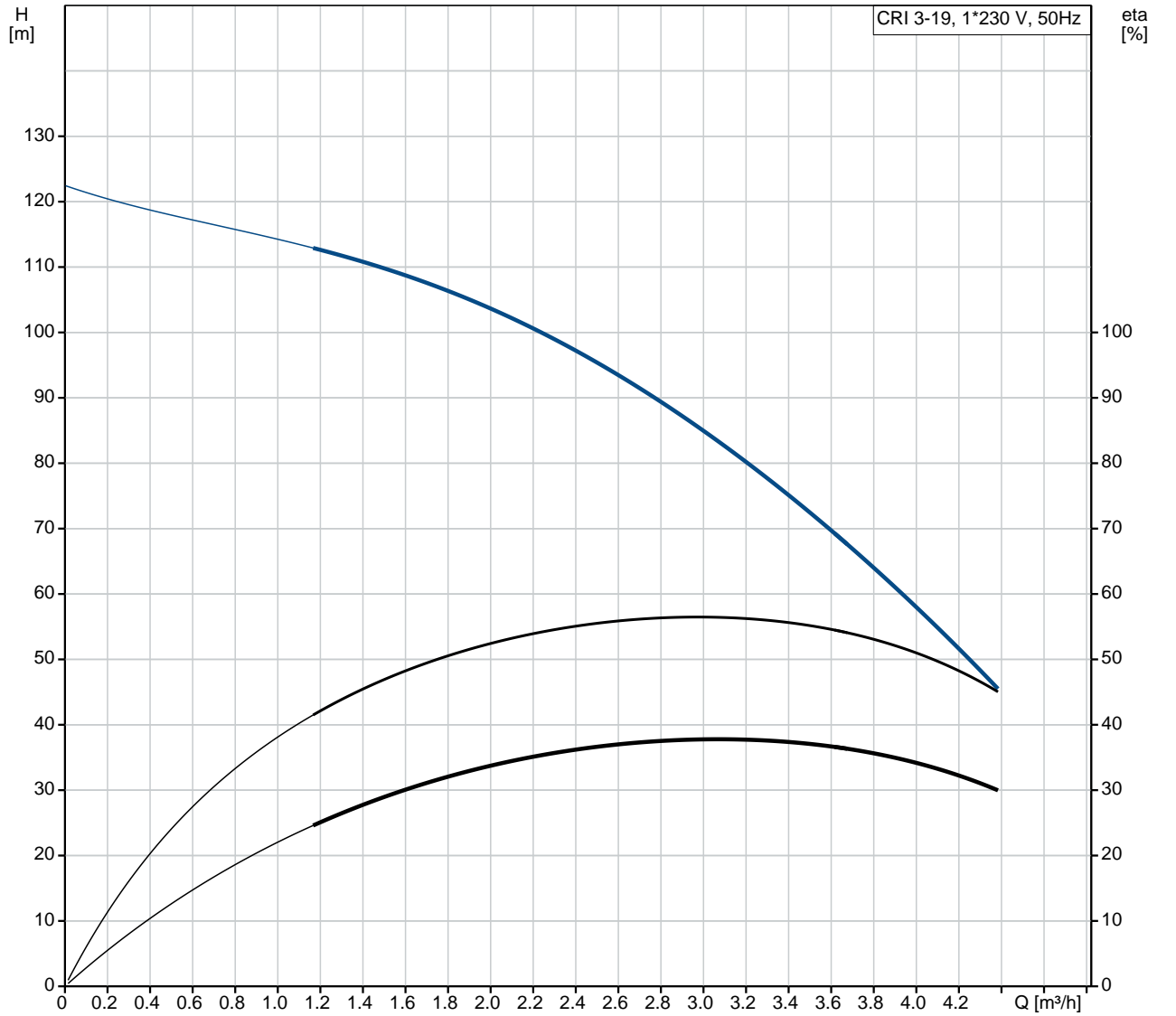
Materials:

Base: Stainless steel
EN 1.4408
AISI 316
Impeller: Stainless steel
EN 1.4301
AISI 304
Bearing: SIC

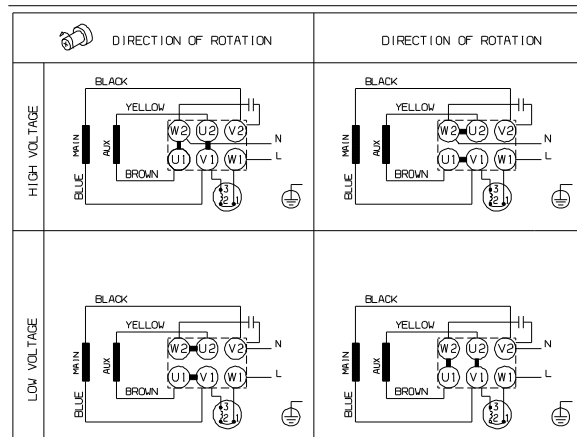
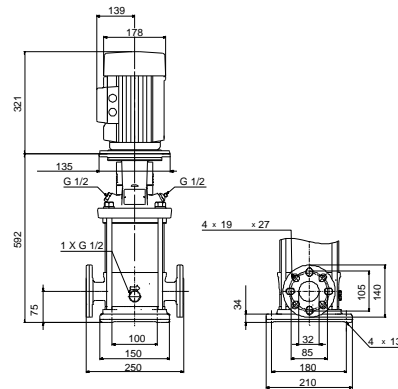
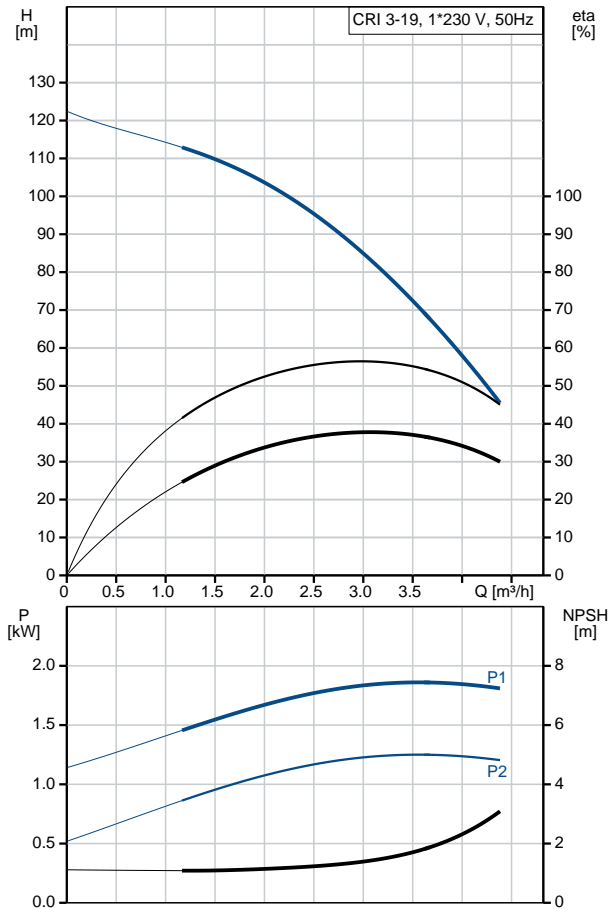
Installation:

Maximum ambient temperature: 40 °C

96533224 CRI 3-19 A-FGJ-A-V-HQQV 50 Hz



Description	Value
General information:	
Product name:	CRI 3-19 A-FGJ-A-V-HQQV
Product No:	96533224
EAN number:	5700397435809 5700397435809
Price:	1.601,00 GBP
Technical:	
Pump speed on which pump data are based:	2767 rpm
Rated flow:	3 m ³ /h
Rated head:	84.1 m
Head max:	122 m
Stages:	19
Impellers:	19
Number of reduced-diameter impellers:	0
Low NPSH:	N
Pump orientation:	Vertical
Shaft seal arrangement:	Single
Code for shaft seal:	HQQV
Approvals on nameplate:	CE, EAC
Curve tolerance:	ISO9906:2012 3B
Pump version:	A
Model:	A
Materials:	
Base:	Stainless steel EN 1.4408 AISI 316
Impeller:	Stainless steel EN 1.4301 AISI 304
Material code:	A
Code for rubber:	V
Bearing:	SIC
Installation:	
Maximum ambient temperature:	40 °C
Maximum operating pressure:	25 bar
Max pressure at stated temp:	25 bar / 90 °C 25 bar / -20 °C
Type of connection:	DIN / ANSI / JIS
Size of inlet connection:	DN 25/32
Size of outlet connection:	DN 25/32
Pressure rating for pipe connection:	PN 25
Flange rating inlet:	300 lb
Flange size for motor:	FT115
Connect code:	FGJ
Liquid:	
Pumped liquid:	Water
Liquid temperature range:	-20 .. 90 °C
Selected liquid temperature:	20 °C
Density at selected liquid temperature:	998.2 kg/m ³
Electrical data:	
Motor standard:	IEC
Motor type:	90LB
Rated power - P2:	1.5 kW
Power (P2) required by pump:	1.5 kW
Mains frequency:	50 Hz
Rated voltage:	1 x 220-230/240 V
Rated current:	9.90/8.90 A





Company name:

Created by:

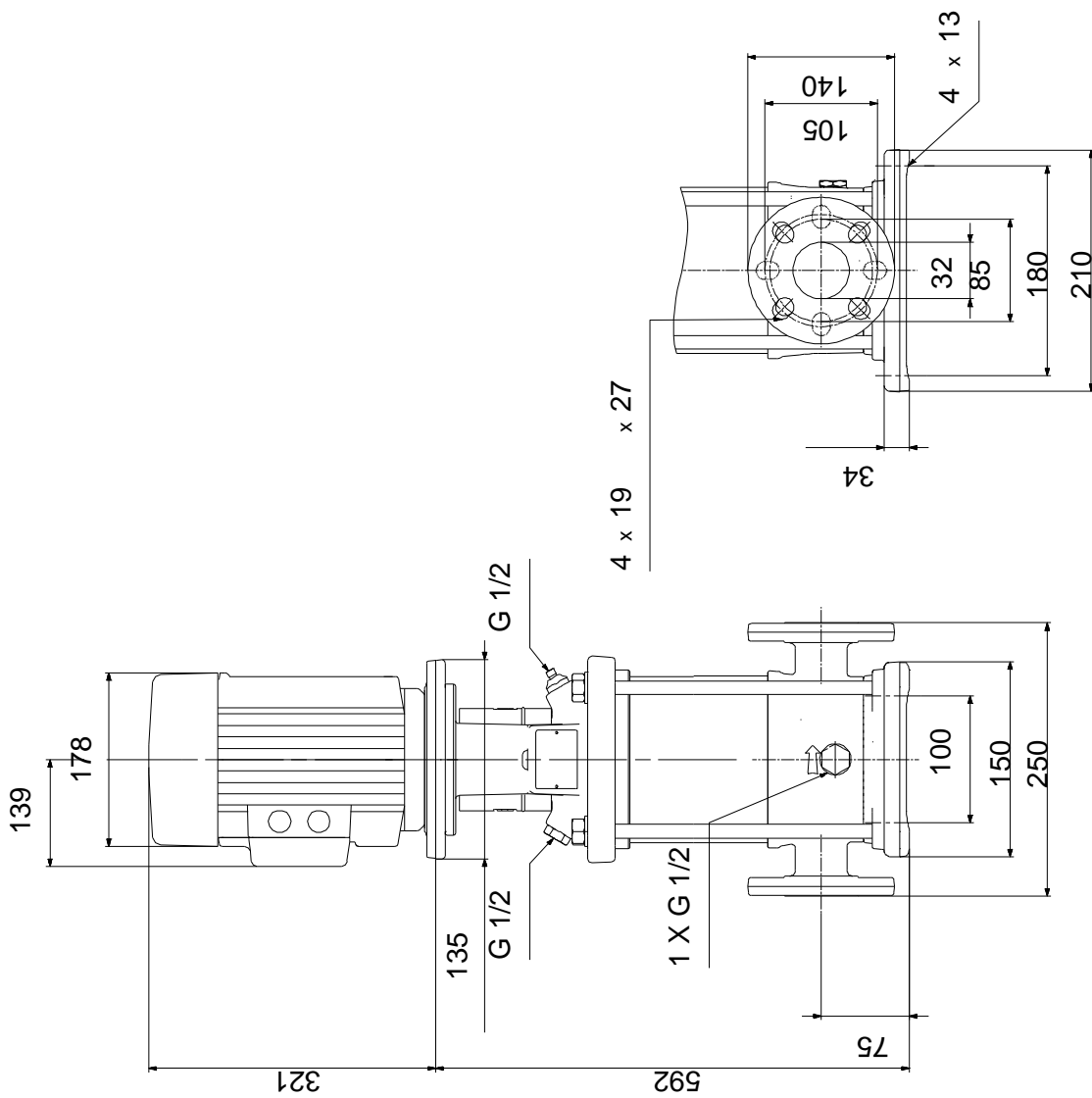
Phone:

Date:

25/09/2019

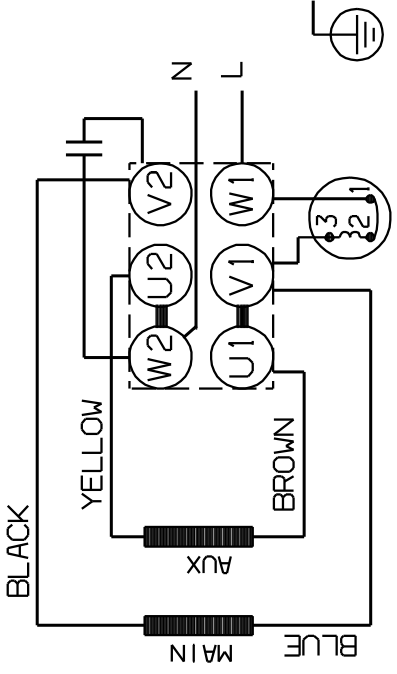
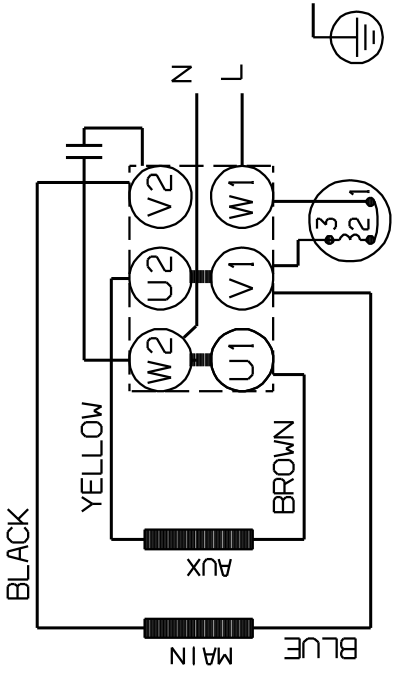
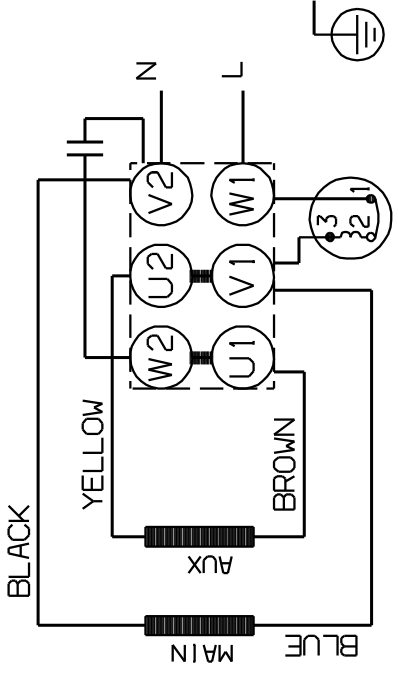
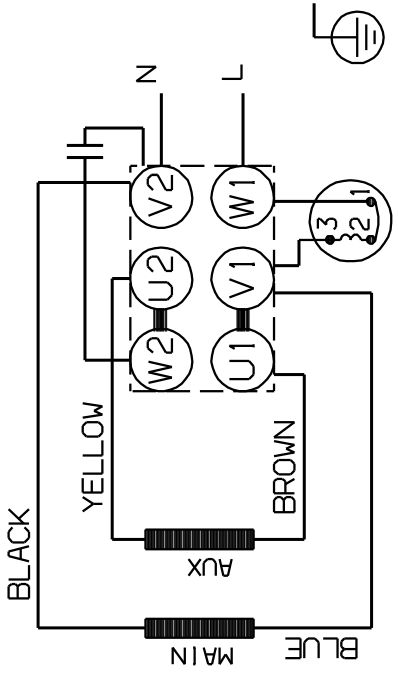
Description	Value
Starting current:	390 %
Cos phi - power factor:	0.98/0.99
Rated speed:	2750/2740 rpm
Motor efficiency at full load:	72-70 %
Number of poles:	2
Enclosure class (IEC 34-5):	55 Dust/Jetting
Insulation class (IEC 85):	F
Motor protec:	PTO
Motor No:	85215706
Controls:	
Frequency converter:	NONE
Others:	
Minimum efficiency index, MEI :	0.70
Net weight:	40.8 kg
Gross weight:	43.7 kg
Shipping volume:	0.13 m ³
Sales region:	GB
Country of origin:	GB
Custom tariff no.:	84137075

96533224 CRI 3-19 A-FGJ-A-V-HQQV 50 Hz



Note! All units are in [mm] unless others are stated.
 Disclaimer: This simplified dimensional drawing does not show all details.

96533224 CRI 3-19 A-FGJ-A-V-HQQV 50 Hz

DIRECTION OF ROTATION	
DIRECTION OF ROTATION	
	
	

Note! All units are in [mm] unless others are stated.