
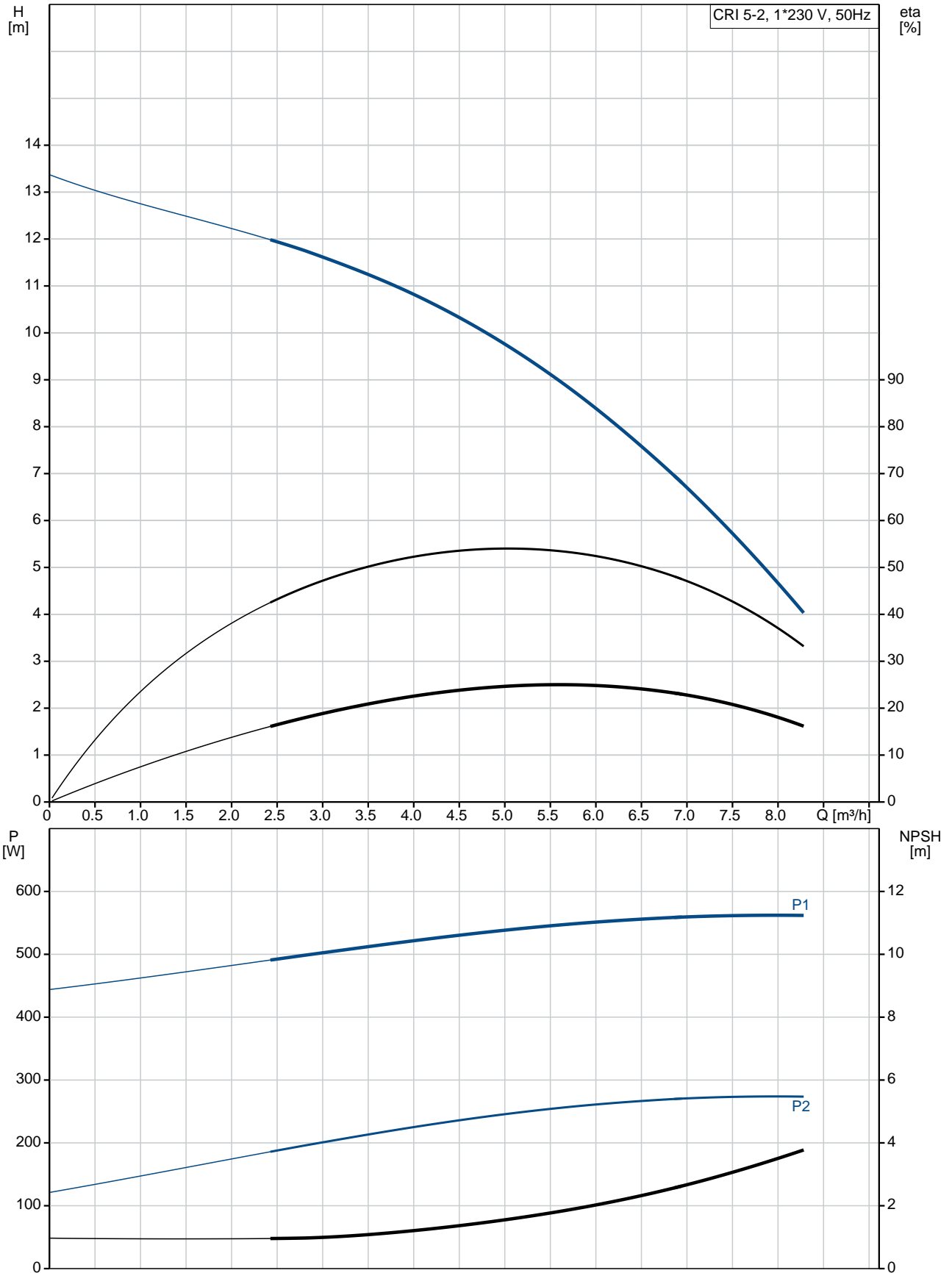


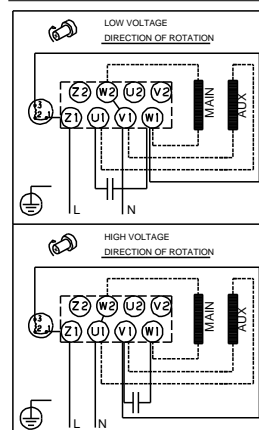
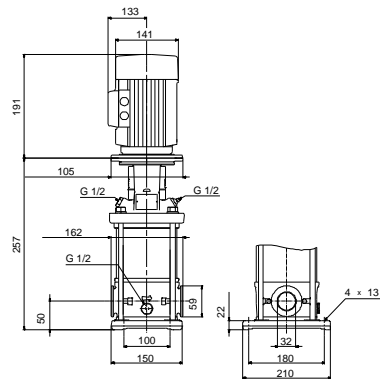
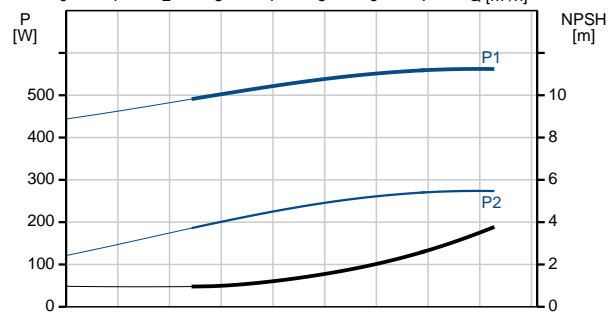
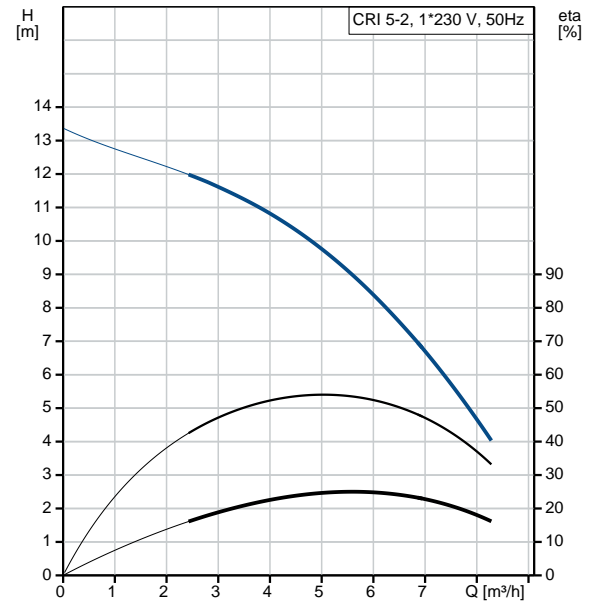
Qty.	Description
1	<p data-bbox="199 338 491 369">CRI 5-2 A-CA-A-V-HQQV</p>  <p data-bbox="199 660 469 689">Product No.: 96533277</p> <p data-bbox="199 719 1449 797">Vertical, multistage centrifugal pump with inlet and outlet ports on same the level (inline). Pump materials in contact with the liquid are in stainless steel. A cartridge shaft seal ensures high reliability, safe handling, and easy access and service. Power transmission is via a rigid split coupling. Pipe connection is via FlexiClamps.</p> <p data-bbox="199 835 936 864">The pump is fitted with a 1-phase, fan-cooled asynchronous motor.</p> <p data-bbox="199 864 936 893">The pump is fitted with a 1-phase, fan-cooled asynchronous motor.</p> <p data-bbox="199 925 316 954">Controls:</p> <p data-bbox="199 954 638 983">Frequency converter: NONE</p> <p data-bbox="199 1014 288 1043">Liquid:</p> <p data-bbox="199 1043 635 1072">Pumped liquid: Water</p> <p data-bbox="199 1072 692 1102">Liquid temperature range: -20 .. 90 °C</p> <p data-bbox="199 1102 632 1131">Selected liquid temperature: 20 °C</p> <p data-bbox="199 1131 778 1160">Density at selected liquid temperature: 998.2 kg/m³</p> <p data-bbox="199 1191 328 1220">Technical:</p> <p data-bbox="199 1220 821 1249">Pump speed on which pump data are based: 2757 rpm</p> <p data-bbox="199 1249 660 1279">Rated flow: 5.8 m³/h</p> <p data-bbox="199 1279 632 1308">Rated head: 7.9 m</p> <p data-bbox="199 1308 651 1337">Pump orientation: Vertical</p> <p data-bbox="199 1337 635 1366">Shaft seal arrangement: Single</p> <p data-bbox="199 1366 641 1395">Code for shaft seal: HQQV</p> <p data-bbox="199 1395 667 1424">Approvals on nameplate: CE, EAC</p> <p data-bbox="199 1424 764 1453">Curve tolerance: ISO9906:2012 3B</p> <p data-bbox="199 1485 320 1514">Materials:</p> <p data-bbox="199 1514 727 1576">Base: Stainless steel EN 1.4408 AISI 316</p> <p data-bbox="199 1608 727 1671">Impeller: Stainless steel EN 1.4301 AISI 304</p> <p data-bbox="199 1693 609 1722">Bearing: SIC</p> <p data-bbox="199 1753 344 1783">Installation:</p> <p data-bbox="199 1783 632 1812">Maximum ambient temperature: 40 °C</p> <p data-bbox="199 1812 638 1841">Maximum operating pressure: 25 bar</p> <p data-bbox="199 1841 735 1904">Max pressure at stated temp: 25 bar / 90 °C 25 bar / -20 °C</p> <p data-bbox="199 1904 692 1933">Type of connection: FlexiClamp</p> <p data-bbox="199 1933 638 1962">Size of inlet connection: DN 32</p> <p data-bbox="199 1962 638 1991">Size of outlet connection: DN 32</p> <p data-bbox="199 1991 686 2020">Pressure rating for pipe connection: PN 25</p> <p data-bbox="199 2020 628 2049">Flange size for motor: FT85</p>

Qty.	Description
	<p>Electrical data:</p> <p>Motor standard: IEC</p> <p>Motor type: 71B</p> <p>Rated power - P2: 0.37 kW</p> <p>Power (P2) required by pump: 0.37 kW</p> <p>Mains frequency: 50 Hz</p> <p>Rated voltage: 1 x 220-230/240 V</p> <p>Rated current: 2.95/2.70 A</p> <p>Starting current: 280 %</p> <p>Cos phi - power factor: 0.99</p> <p>Rated speed: 2770 rpm</p> <p>Motor efficiency at full load: 60.0-56.0 %</p> <p>Number of poles: 2</p> <p>Enclosure class (IEC 34-5): 55 Dust/Jetting</p> <p>Insulation class (IEC 85): F</p> <p>Motor No: 85215102</p> <p>Others:</p> <p>Minimum efficiency index, MEI : 0.57</p> <p>Net weight: 17.2 kg</p> <p>Gross weight: 19.9 kg</p> <p>Shipping volume: 0.054 m³</p> <p>Country of origin: GB</p> <p>Custom tariff no.: 84137075</p>

96533277 CRI 5-2 A-CA-A-V-HQQV 50 Hz



Description	Value
General information:	
Product name:	CRI 5-2 A-CA-A-V-HQQV
Product No:	96533277
EAN number:	5700397441411 5700397441411
Price:	778,00 GBP
Technical:	
Pump speed on which pump data are based:	2757 rpm
Rated flow:	5.8 m ³ /h
Rated head:	7.9 m
Head max:	13.2 m
Stages:	2
Impellers:	2
Number of reduced-diameter impellers:	0
Low NPSH:	N
Pump orientation:	Vertical
Shaft seal arrangement:	Single
Code for shaft seal:	HQQV
Approvals on nameplate:	CE, EAC
Curve tolerance:	ISO9906:2012 3B
Pump version:	A
Model:	A
Materials:	
Base:	Stainless steel EN 1.4408 AISI 316
Impeller:	Stainless steel EN 1.4301 AISI 304
Material code:	A
Code for rubber:	V
Bearing:	SIC
Installation:	
Maximum ambient temperature:	40 °C
Maximum operating pressure:	25 bar
Max pressure at stated temp:	25 bar / 90 °C 25 bar / -20 °C
Type of connection:	FlexiClamp
Size of inlet connection:	DN 32
Size of outlet connection:	DN 32
Pressure rating for pipe connection:	PN 25
Flange size for motor:	FT85
Connect code:	CA
Liquid:	
Pumped liquid:	Water
Liquid temperature range:	-20 .. 90 °C
Selected liquid temperature:	20 °C
Density at selected liquid temperature:	998.2 kg/m ³
Electrical data:	
Motor standard:	IEC
Motor type:	71B
Rated power - P2:	0.37 kW
Power (P2) required by pump:	0.37 kW
Mains frequency:	50 Hz
Rated voltage:	1 x 220-230/240 V
Rated current:	2.95/2.70 A
Starting current:	280 %





Company name:

Created by:

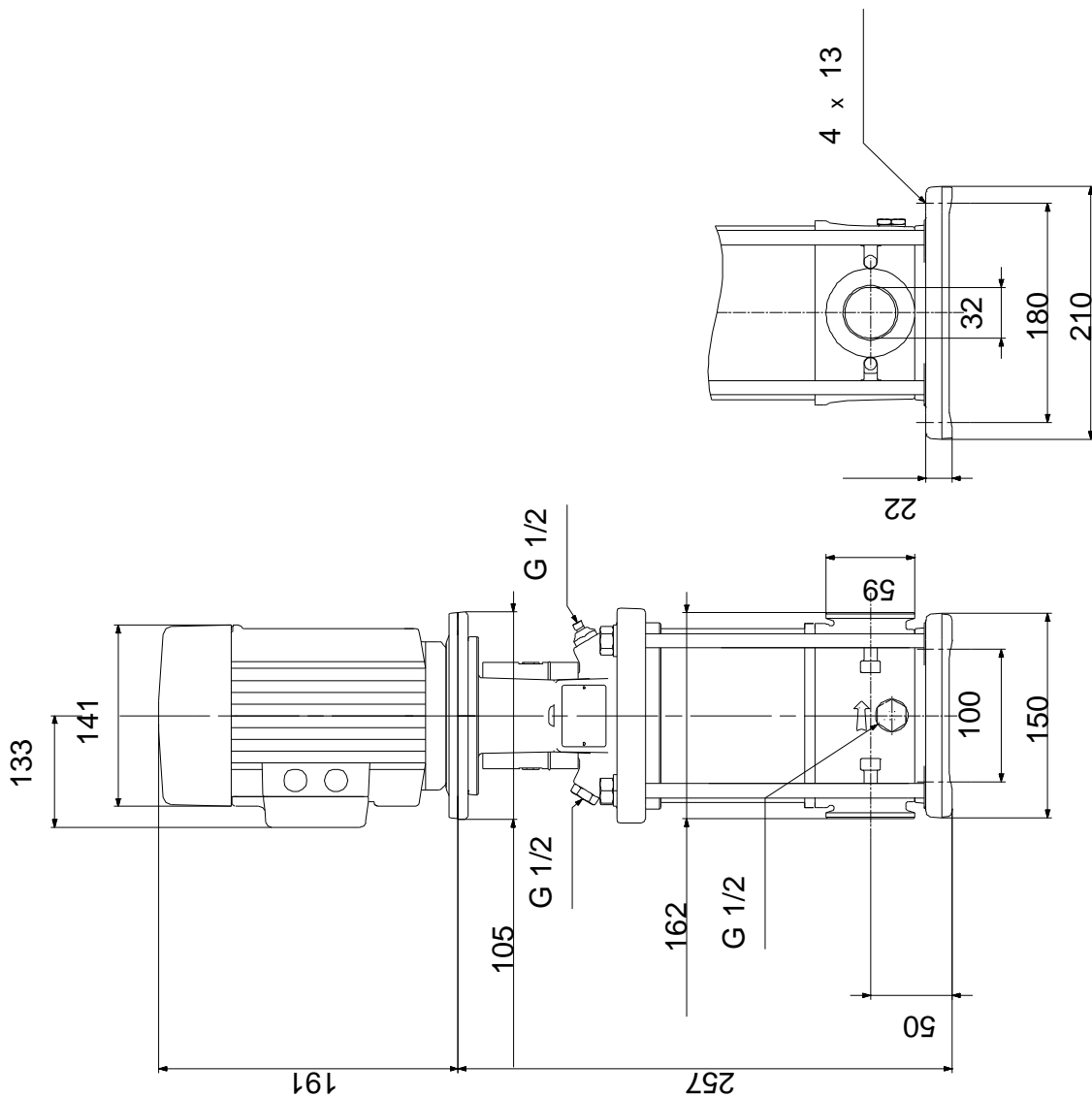
Phone:

Date:

25/09/2019

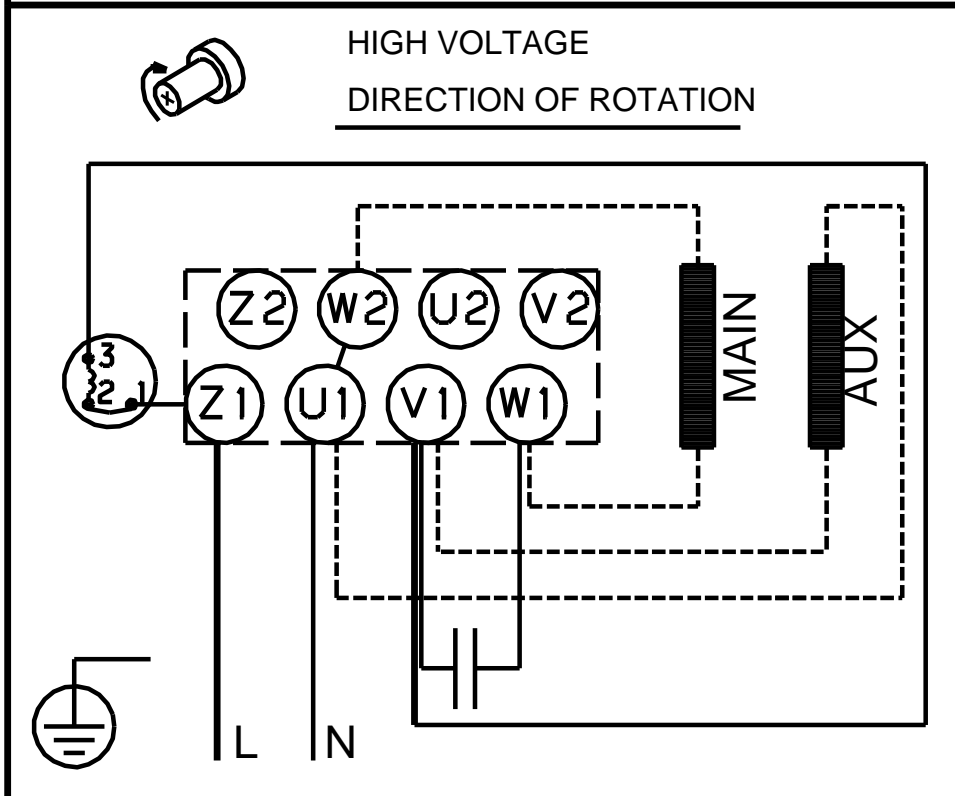
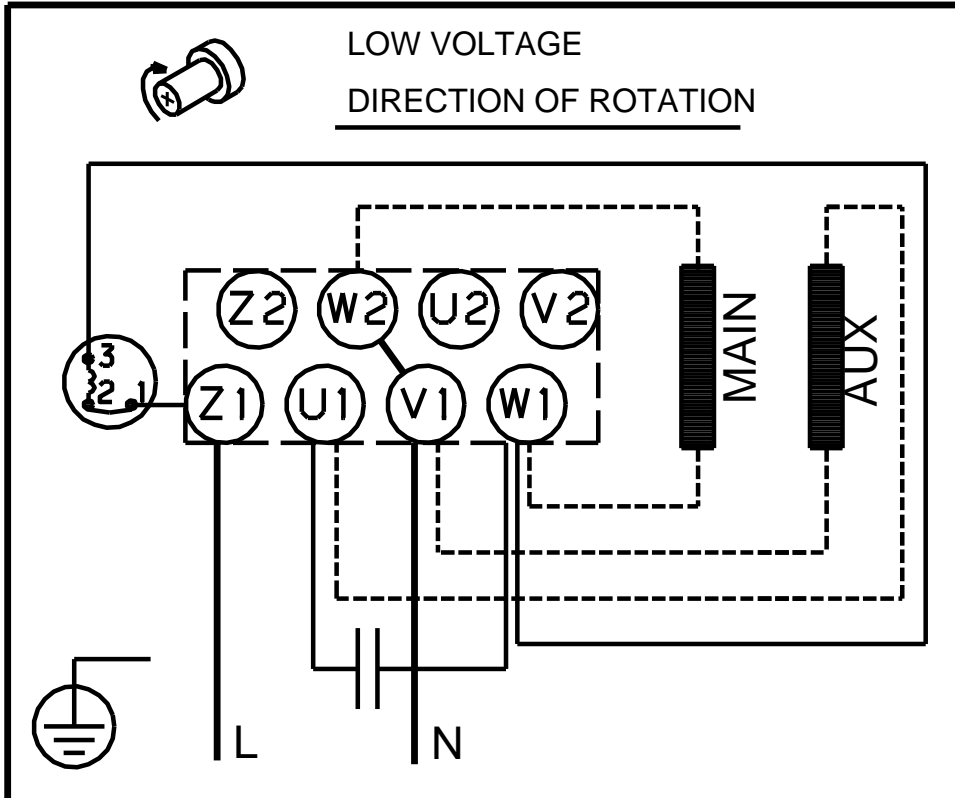
Description	Value
Cos phi - power factor:	0.99
Rated speed:	2770 rpm
Motor efficiency at full load:	60.0-56.0 %
Number of poles:	2
Enclosure class (IEC 34-5):	55 Dust/Jetting
Insulation class (IEC 85):	F
Motor protec:	PTO
Motor No:	85215102
Controls:	
Frequency converter:	NONE
Others:	
Minimum efficiency index, MEI :	0.57
Net weight:	17.2 kg
Gross weight:	19.9 kg
Shipping volume:	0.054 m ³
Sales region:	GB
Country of origin:	GB
Custom tariff no.:	84137075

96533277 CRI 5-2 A-CA-A-V-HQQV 50 Hz



Note! All units are in [mm] unless others are stated.
Disclaimer: This simplified dimensional drawing does not show all details.

96533277 CRI 5-2 A-CA-A-V-HQQV 50 Hz



Note! All units are in [mm] unless others are stated.