


Qty.	Description
1	<p data-bbox="199 338 491 367">CRI 5-3 A-CA-A-V-HQQV</p>  <p data-bbox="199 660 469 689">Product No.: 96533278</p> <p data-bbox="199 719 1449 797">Vertical, multistage centrifugal pump with inlet and outlet ports on same the level (inline). Pump materials in contact with the liquid are in stainless steel. A cartridge shaft seal ensures high reliability, safe handling, and easy access and service. Power transmission is via a rigid split coupling. Pipe connection is via FlexiClamps.</p> <p data-bbox="199 835 936 864">The pump is fitted with a 1-phase, fan-cooled asynchronous motor.</p> <p data-bbox="199 866 936 896">The pump is fitted with a 1-phase, fan-cooled asynchronous motor.</p> <p data-bbox="199 925 316 954">Controls:</p> <p data-bbox="199 956 638 985">Frequency converter: NONE</p> <p data-bbox="199 1014 288 1043">Liquid:</p> <p data-bbox="199 1046 638 1075">Pumped liquid: Water</p> <p data-bbox="199 1077 694 1106">Liquid temperature range: -20 .. 90 °C</p> <p data-bbox="199 1108 630 1137">Selected liquid temperature: 20 °C</p> <p data-bbox="199 1140 778 1169">Density at selected liquid temperature: 998.2 kg/m³</p> <p data-bbox="199 1198 327 1227">Technical:</p> <p data-bbox="199 1229 821 1258">Pump speed on which pump data are based: 2750 rpm</p> <p data-bbox="199 1261 662 1290">Rated flow: 5.8 m³/h</p> <p data-bbox="199 1292 646 1321">Rated head: 13.4 m</p> <p data-bbox="199 1323 646 1352">Pump orientation: Vertical</p> <p data-bbox="199 1355 638 1384">Shaft seal arrangement: Single</p> <p data-bbox="199 1386 638 1415">Code for shaft seal: HQQV</p> <p data-bbox="199 1417 662 1447">Approvals on nameplate: CE, EAC</p> <p data-bbox="199 1449 762 1478">Curve tolerance: ISO9906:2012 3B</p> <p data-bbox="199 1507 319 1536">Materials:</p> <p data-bbox="199 1538 726 1601">Base: Stainless steel EN 1.4408 AISI 316</p> <p data-bbox="199 1630 726 1693">Impeller: Stainless steel EN 1.4301 AISI 304</p> <p data-bbox="199 1722 606 1751">Bearing: SIC</p> <p data-bbox="199 1780 343 1809">Installation:</p> <p data-bbox="199 1812 630 1841">Maximum ambient temperature: 40 °C</p> <p data-bbox="199 1843 638 1872">Maximum operating pressure: 25 bar</p> <p data-bbox="199 1874 734 1937">Max pressure at stated temp: 25 bar / 90 °C 25 bar / -20 °C</p> <p data-bbox="199 1966 694 1995">Type of connection: FlexiClamp</p> <p data-bbox="199 1998 638 2027">Size of inlet connection: DN 32</p> <p data-bbox="199 2029 638 2058">Size of outlet connection: DN 32</p> <p data-bbox="199 2060 686 2089">Pressure rating for pipe connection: PN 25</p> <p data-bbox="199 2092 638 2121">Flange size for motor: FT100</p>

Qty.	Description
------	-------------

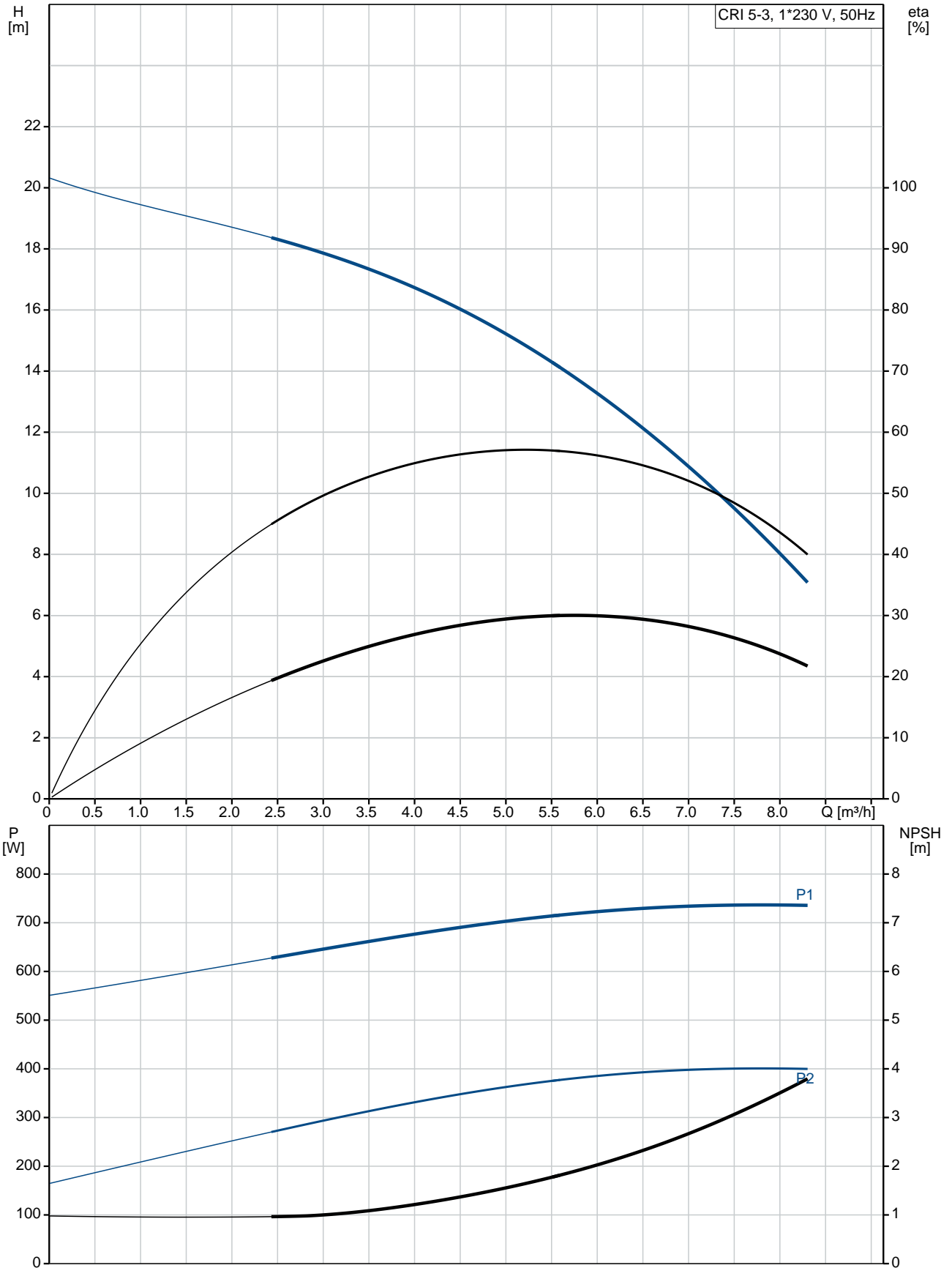
Electrical data:

Motor standard:	IEC
Motor type:	80A
Rated power - P2:	0.55 kW
Power (P2) required by pump:	0.55 kW
Mains frequency:	50 Hz
Rated voltage:	1 x 220-230/240 V
Rated current:	4.00/3.65 A
Starting current:	280 %
Cos phi - power factor:	0.99
Rated speed:	2750 rpm
Motor efficiency at full load:	66-64 %
Number of poles:	2
Enclosure class (IEC 34-5):	55 Dust/Jetting
Insulation class (IEC 85):	F
Motor No:	85215103

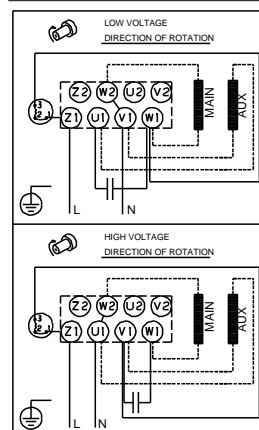
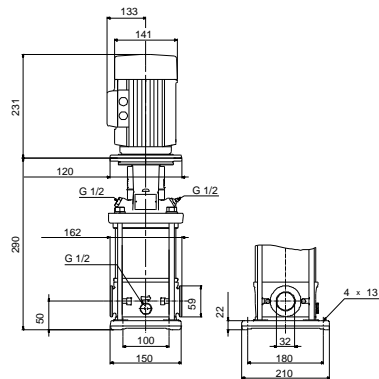
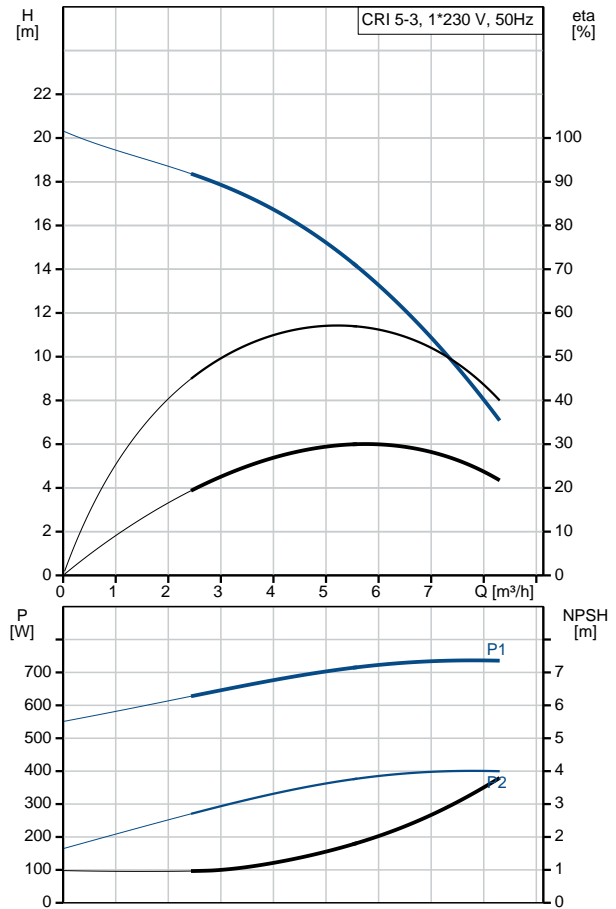
Others:

Minimum efficiency index, MEI :	0.57
Net weight:	20.3 kg
Gross weight:	23 kg
Shipping volume:	0.063 m ³
Country of origin:	GB
Custom tariff no.:	84137075

96533278 CRI 5-3 A-CA-A-V-HQQV 50 Hz



Description	Value
General information:	
Product name:	CRI 5-3 A-CA-A-V-HQQV
Product No:	96533278
EAN number:	5700397441428 5700397441428
Price:	829,00 GBP
Technical:	
Pump speed on which pump data are based:	2750 rpm
Rated flow:	5.8 m ³ /h
Rated head:	13.4 m
Head max:	20.4 m
Stages:	3
Impellers:	3
Number of reduced-diameter impellers:	0
Low NPSH:	N
Pump orientation:	Vertical
Shaft seal arrangement:	Single
Code for shaft seal:	HQQV
Approvals on nameplate:	CE, EAC
Curve tolerance:	ISO9906:2012 3B
Pump version:	A
Model:	A
Materials:	
Base:	Stainless steel EN 1.4408 AISI 316
Impeller:	Stainless steel EN 1.4301 AISI 304
Material code:	A
Code for rubber:	V
Bearing:	SIC
Installation:	
Maximum ambient temperature:	40 °C
Maximum operating pressure:	25 bar
Max pressure at stated temp:	25 bar / 90 °C 25 bar / -20 °C
Type of connection:	FlexiClamp
Size of inlet connection:	DN 32
Size of outlet connection:	DN 32
Pressure rating for pipe connection:	PN 25
Flange size for motor:	FT100
Connect code:	CA
Liquid:	
Pumped liquid:	Water
Liquid temperature range:	-20 .. 90 °C
Selected liquid temperature:	20 °C
Density at selected liquid temperature:	998.2 kg/m ³
Electrical data:	
Motor standard:	IEC
Motor type:	80A
Rated power - P2:	0.55 kW
Power (P2) required by pump:	0.55 kW
Mains frequency:	50 Hz
Rated voltage:	1 x 220-230/240 V
Rated current:	4.00/3.65 A
Starting current:	280 %





Company name:

Created by:

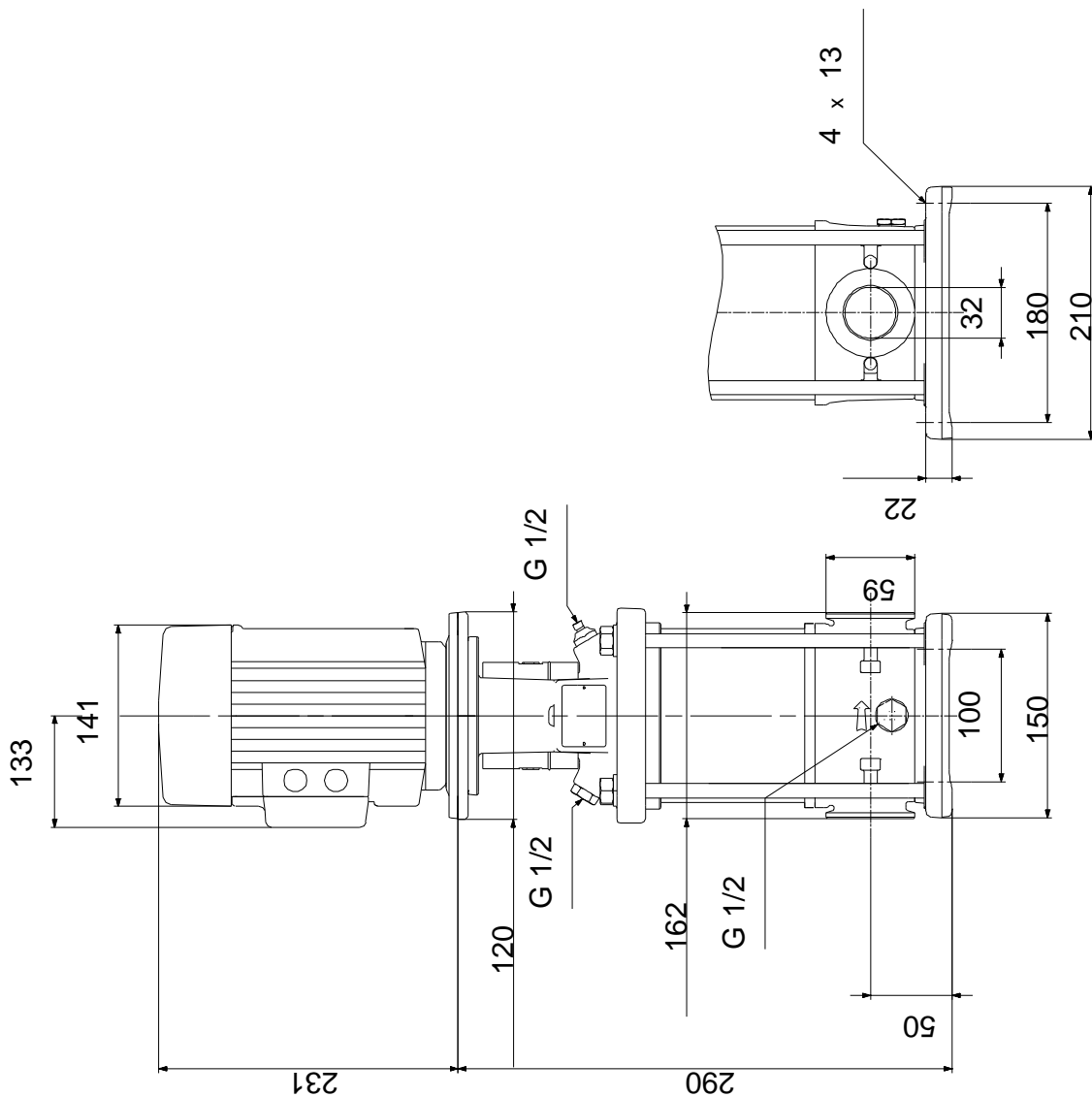
Phone:

Date:

25/09/2019

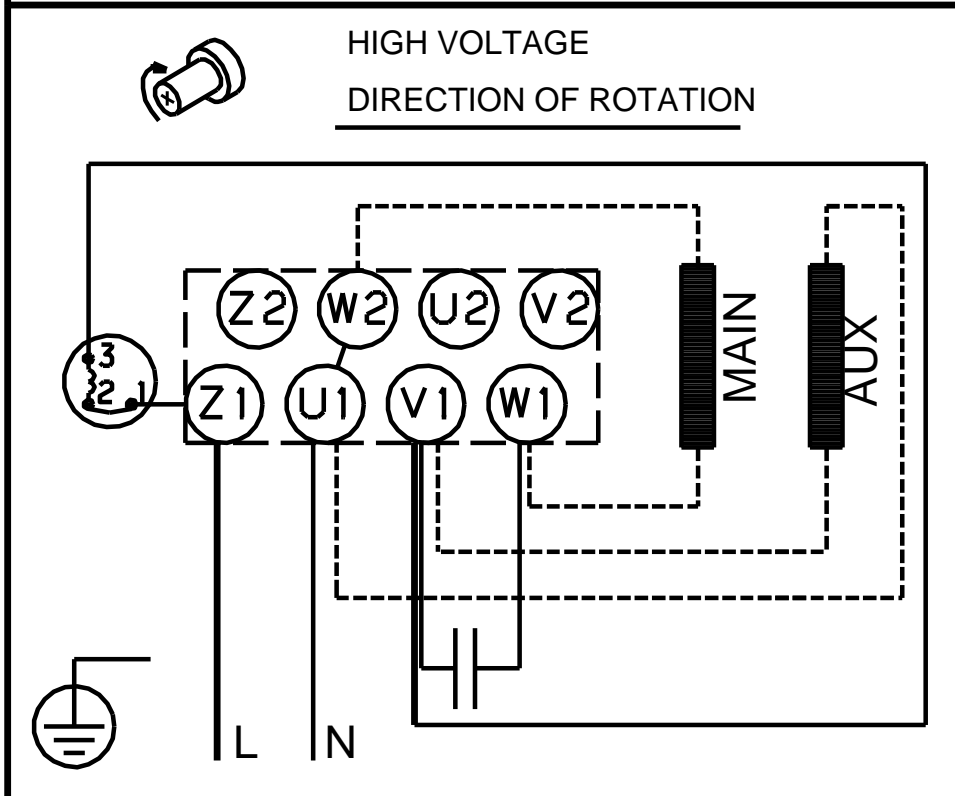
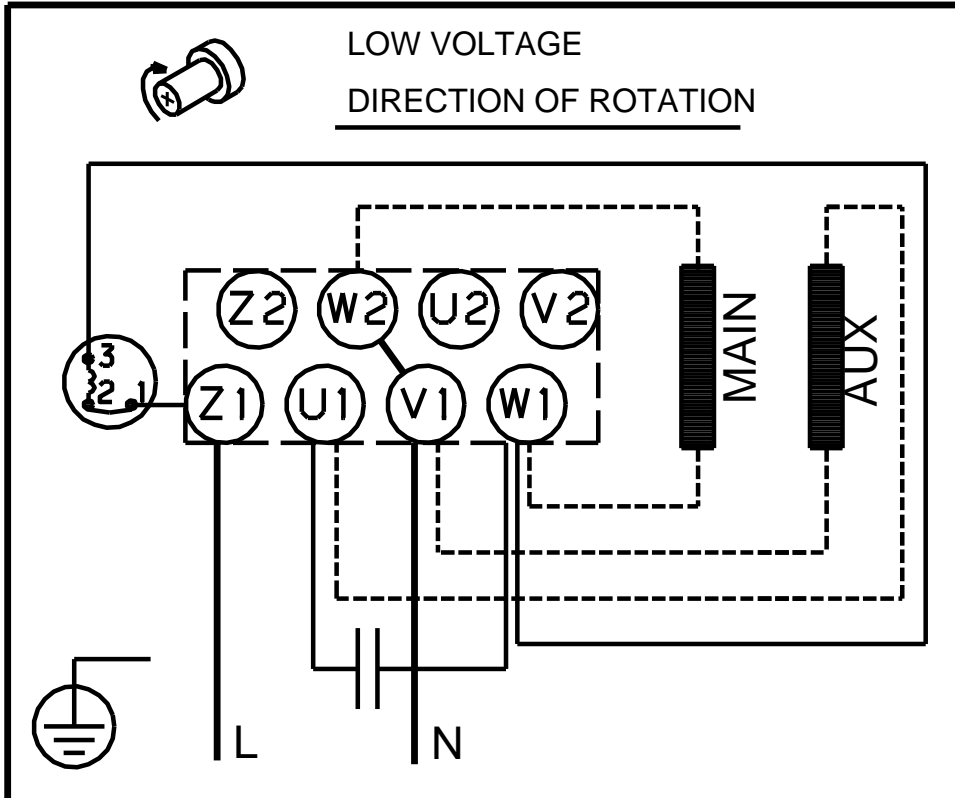
Description	Value
Cos phi - power factor:	0.99
Rated speed:	2750 rpm
Motor efficiency at full load:	66-64 %
Number of poles:	2
Enclosure class (IEC 34-5):	55 Dust/Jetting
Insulation class (IEC 85):	F
Motor protec:	PTO
Motor No:	85215103
Controls:	
Frequency converter:	NONE
Others:	
Minimum efficiency index, MEI :	0.57
Net weight:	20.3 kg
Gross weight:	23 kg
Shipping volume:	0.063 m ³
Sales region:	GB
Country of origin:	GB
Custom tariff no.:	84137075

96533278 CRI 5-3 A-CA-A-V-HQQV 50 Hz



Note! All units are in [mm] unless others are stated.
Disclaimer: This simplified dimensional drawing does not show all details.

96533278 CRI 5-3 A-CA-A-V-HQQV 50 Hz



Note! All units are in [mm] unless others are stated.