
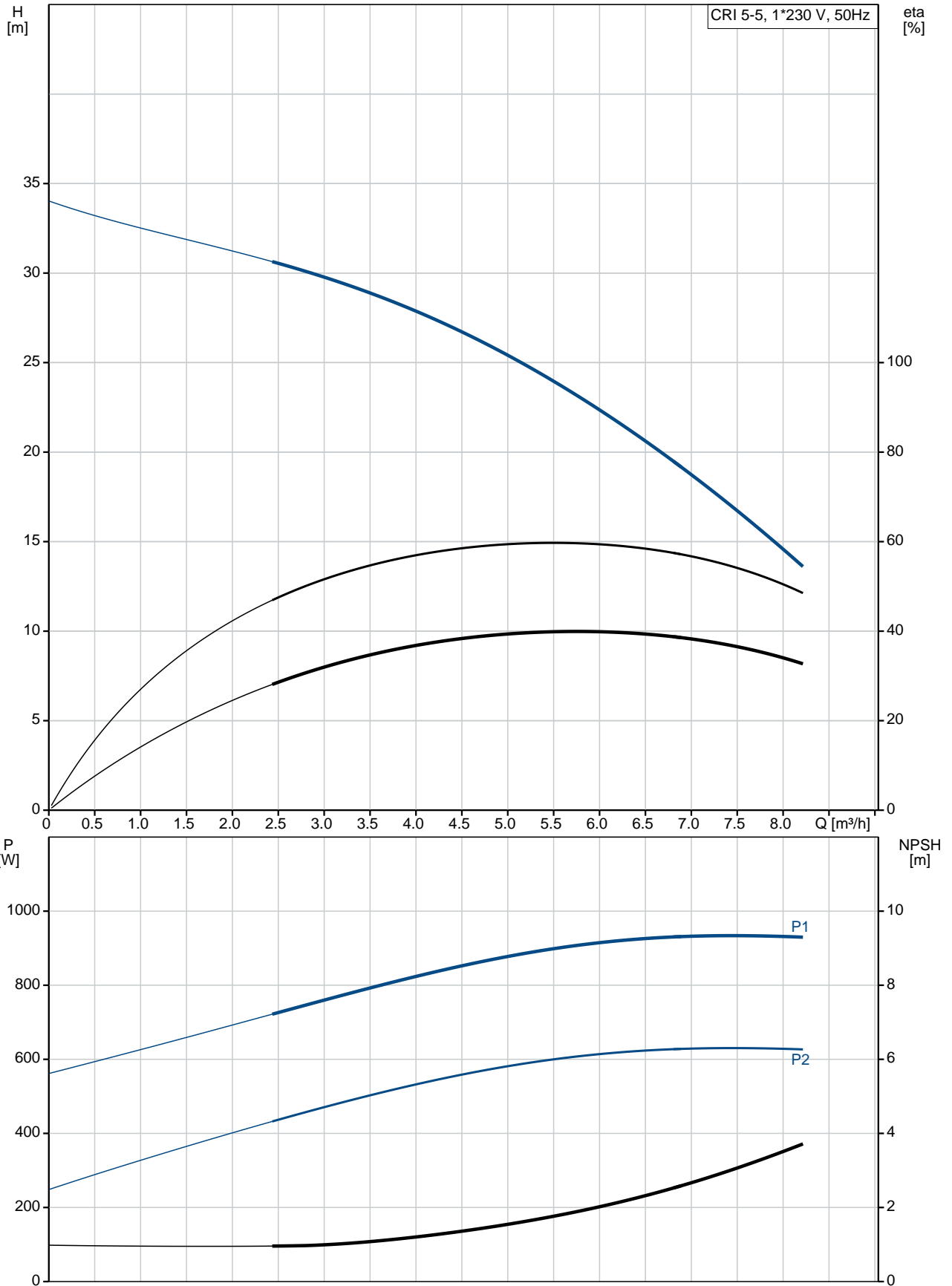


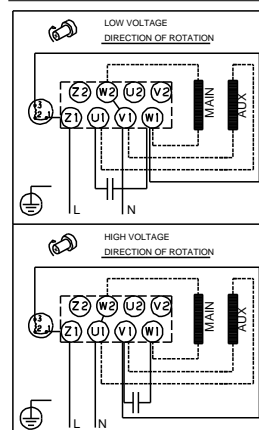
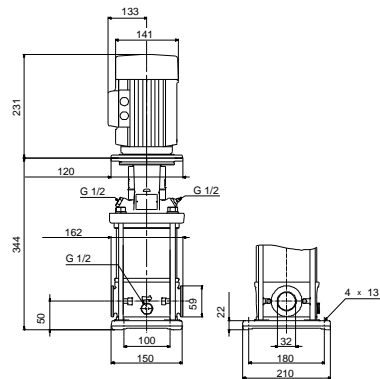
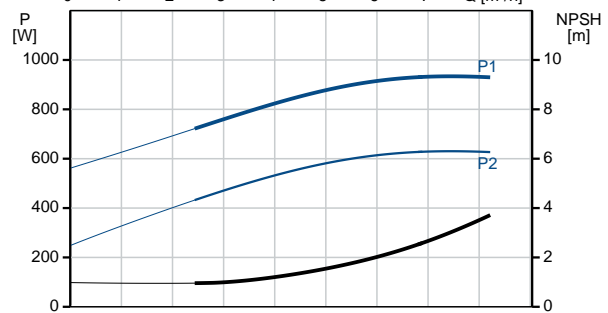
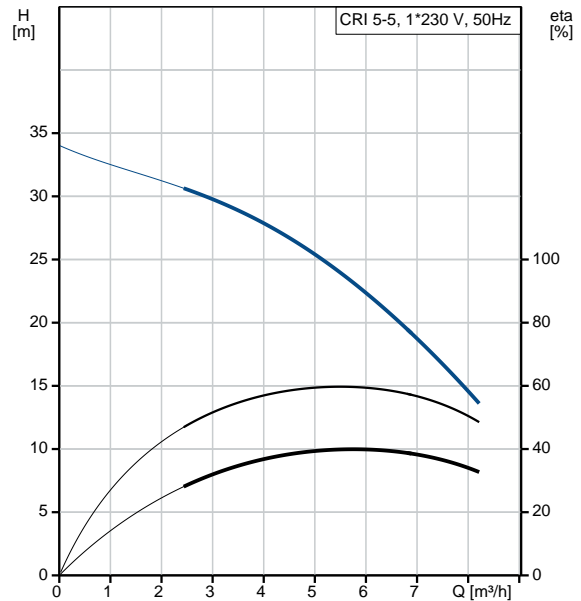
Qty.	Description
1	<p data-bbox="197 338 491 369">CRI 5-5 A-CA-A-V-HQQV</p> <div data-bbox="347 383 443 629" style="text-align: center;">  </div> <p data-bbox="197 660 469 692">Product No.: 96533280</p> <p data-bbox="197 719 1449 797">Vertical, multistage centrifugal pump with inlet and outlet ports on same the level (inline). Pump materials in contact with the liquid are in stainless steel. A cartridge shaft seal ensures high reliability, safe handling, and easy access and service. Power transmission is via a rigid split coupling. Pipe connection is via FlexiClamps.</p> <p data-bbox="197 835 936 866">The pump is fitted with a 1-phase, fan-cooled asynchronous motor.</p> <p data-bbox="197 866 936 898">The pump is fitted with a 1-phase, fan-cooled asynchronous motor.</p> <p data-bbox="197 925 316 956">Controls:</p> <p data-bbox="197 956 638 987">Frequency converter: NONE</p> <p data-bbox="197 1014 288 1046">Liquid:</p> <p data-bbox="197 1046 638 1077">Pumped liquid: Water</p> <p data-bbox="197 1077 694 1108">Liquid temperature range: -20 .. 90 °C</p> <p data-bbox="197 1108 630 1140">Selected liquid temperature: 20 °C</p> <p data-bbox="197 1140 778 1171">Density at selected liquid temperature: 998.2 kg/m³</p> <p data-bbox="197 1198 327 1229">Technical:</p> <p data-bbox="197 1229 821 1261">Pump speed on which pump data are based: 2759 rpm</p> <p data-bbox="197 1261 662 1292">Rated flow: 5.8 m³/h</p> <p data-bbox="197 1292 646 1323">Rated head: 21.7 m</p> <p data-bbox="197 1323 646 1355">Pump orientation: Vertical</p> <p data-bbox="197 1355 638 1386">Shaft seal arrangement: Single</p> <p data-bbox="197 1386 638 1417">Code for shaft seal: HQQV</p> <p data-bbox="197 1417 662 1449">Approvals on nameplate: CE, EAC</p> <p data-bbox="197 1449 762 1480">Curve tolerance: ISO9906:2012 3B</p> <p data-bbox="197 1507 319 1538">Materials:</p> <p data-bbox="197 1538 726 1570">Base: Stainless steel</p> <p data-bbox="566 1570 686 1601">EN 1.4408</p> <p data-bbox="566 1601 662 1632">AISI 316</p> <p data-bbox="197 1632 726 1664">Impeller: Stainless steel</p> <p data-bbox="566 1664 686 1695">EN 1.4301</p> <p data-bbox="566 1695 662 1727">AISI 304</p> <p data-bbox="197 1727 606 1758">Bearing: SIC</p> <p data-bbox="197 1785 343 1816">Installation:</p> <p data-bbox="197 1816 630 1848">Maximum ambient temperature: 40 °C</p> <p data-bbox="197 1848 638 1879">Maximum operating pressure: 25 bar</p> <p data-bbox="197 1879 726 1910">Max pressure at stated temp: 25 bar / 90 °C</p> <p data-bbox="566 1910 734 1942">25 bar / -20 °C</p> <p data-bbox="197 1942 694 1973">Type of connection: FlexiClamp</p> <p data-bbox="197 1973 638 2004">Size of inlet connection: DN 32</p> <p data-bbox="197 2004 638 2036">Size of outlet connection: DN 32</p> <p data-bbox="197 2036 686 2067">Pressure rating for pipe connection: PN 25</p> <p data-bbox="197 2067 638 2098">Flange size for motor: FT100</p>

Qty.	Description
	<p>Electrical data:</p> <p>Motor standard: IEC</p> <p>Motor type: 80B</p> <p>Rated power - P2: 0.75 kW</p> <p>Power (P2) required by pump: 0.75 kW</p> <p>Mains frequency: 50 Hz</p> <p>Rated voltage: 1 x 220-230/240 V</p> <p>Rated current: 5.10/4.75 A</p> <p>Starting current: 300 %</p> <p>Cos phi - power factor: 0.99</p> <p>Rated speed: 2780 rpm</p> <p>Efficiency: 72.1%</p> <p>Motor efficiency at full load: 72.1 %</p> <p>Number of poles: 2</p> <p>Enclosure class (IEC 34-5): 55 Dust/Jetting</p> <p>Insulation class (IEC 85): F</p> <p>Motor No: 85215104</p> <p>Others:</p> <p>Minimum efficiency index, MEI : 0.57</p> <p>Net weight: 22.9 kg</p> <p>Gross weight: 25.7 kg</p> <p>Shipping volume: 0.063 m³</p> <p>Country of origin: GB</p> <p>Custom tariff no.: 84137075</p>

96533280 CRI 5-5 A-CA-A-V-HQQV 50 Hz



Description	Value
General information:	
Product name:	CRI 5-5 A-CA-A-V-HQQV
Product No:	96533280
EAN number:	5700397442548 5700397442548
Price:	991,00 GBP
Technical:	
Pump speed on which pump data are based:	2759 rpm
Rated flow:	5.8 m ³ /h
Rated head:	21.7 m
Head max:	32 m
Stages:	5
Impellers:	5
Number of reduced-diameter impellers:	0
Low NPSH:	N
Pump orientation:	Vertical
Shaft seal arrangement:	Single
Code for shaft seal:	HQQV
Approvals on nameplate:	CE, EAC
Curve tolerance:	ISO9906:2012 3B
Pump version:	A
Model:	A
Materials:	
Base:	Stainless steel EN 1.4408 AISI 316
Impeller:	Stainless steel EN 1.4301 AISI 304
Material code:	A
Code for rubber:	V
Bearing:	SIC
Installation:	
Maximum ambient temperature:	40 °C
Maximum operating pressure:	25 bar
Max pressure at stated temp:	25 bar / 90 °C 25 bar / -20 °C
Type of connection:	FlexiClamp
Size of inlet connection:	DN 32
Size of outlet connection:	DN 32
Pressure rating for pipe connection:	PN 25
Flange size for motor:	FT100
Connect code:	CA
Liquid:	
Pumped liquid:	Water
Liquid temperature range:	-20 .. 90 °C
Selected liquid temperature:	20 °C
Density at selected liquid temperature:	998.2 kg/m ³
Electrical data:	
Motor standard:	IEC
Motor type:	80B
Rated power - P2:	0.75 kW
Power (P2) required by pump:	0.75 kW
Mains frequency:	50 Hz
Rated voltage:	1 x 220-230/240 V
Rated current:	5.10/4.75 A
Starting current:	300 %





Company name:

Created by:

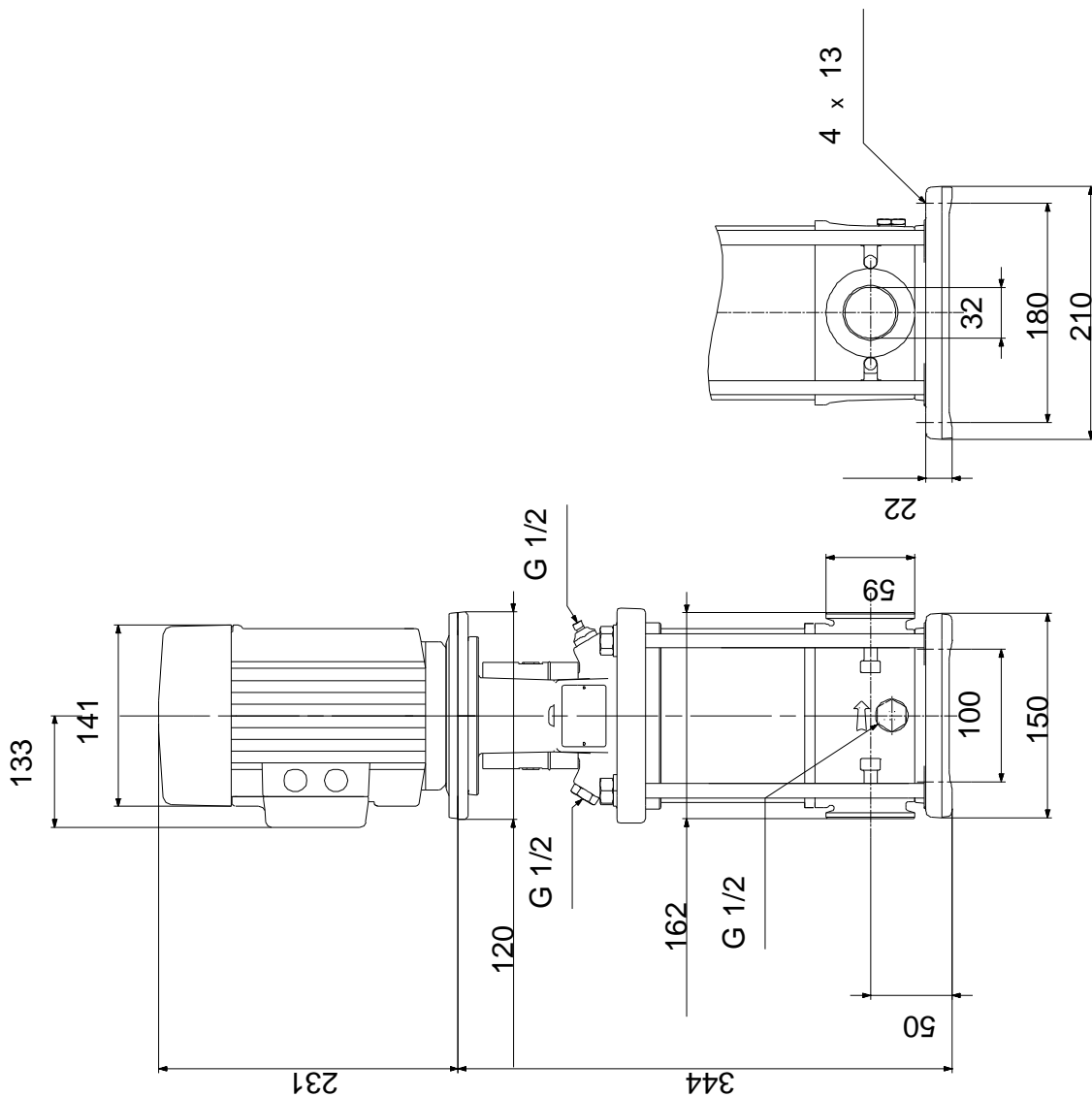
Phone:

Date:

25/09/2019

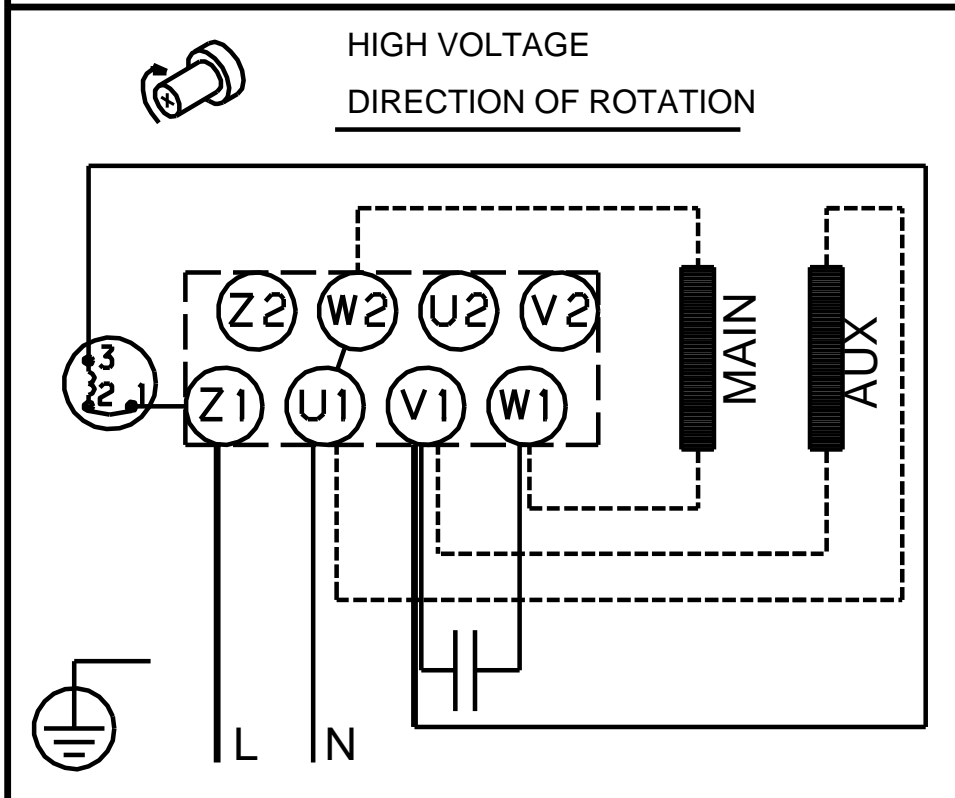
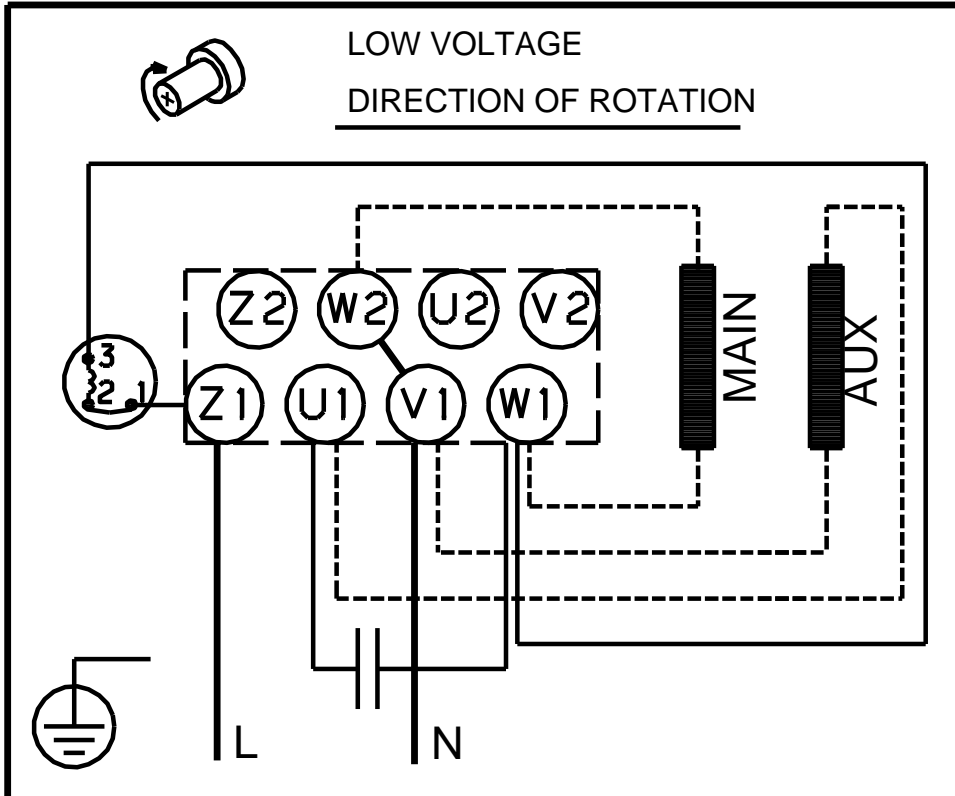
Description	Value
Cos phi - power factor:	0.99
Rated speed:	2780 rpm
Efficiency:	72.1%
Motor efficiency at full load:	72.1 %
Number of poles:	2
Enclosure class (IEC 34-5):	55 Dust/Jetting
Insulation class (IEC 85):	F
Motor protec:	PTO
Motor No:	85215104
Controls:	
Frequency converter:	NONE
Others:	
Minimum efficiency index, MEI :	0.57
Net weight:	22.9 kg
Gross weight:	25.7 kg
Shipping volume:	0.063 m ³
Sales region:	GB
Country of origin:	GB
Custom tariff no.:	84137075

96533280 CRI 5-5 A-CA-A-V-HQQV 50 Hz



Note! All units are in [mm] unless others are stated.
Disclaimer: This simplified dimensional drawing does not show all details.

96533280 CRI 5-5 A-CA-A-V-HQQV 50 Hz



Note! All units are in [mm] unless others are stated.