


Qty.	Description
1	<p data-bbox="197 338 491 369">CRI 5-6 A-CA-A-V-HQQV</p>  <p data-bbox="197 663 464 689">Product No.: 96533281</p> <p data-bbox="197 723 1449 797">Vertical, multistage centrifugal pump with inlet and outlet ports on same the level (inline). Pump materials in contact with the liquid are in stainless steel. A cartridge shaft seal ensures high reliability, safe handling, and easy access and service. Power transmission is via a rigid split coupling. Pipe connection is via FlexiClamps.</p> <p data-bbox="197 835 935 862">The pump is fitted with a 1-phase, fan-cooled asynchronous motor.</p> <p data-bbox="197 864 935 891">The pump is fitted with a 1-phase, fan-cooled asynchronous motor.</p> <p data-bbox="197 925 312 952">Controls:</p> <p data-bbox="197 954 638 981">Frequency converter: NONE</p> <p data-bbox="197 1014 287 1041">Liquid:</p> <p data-bbox="197 1043 635 1070">Pumped liquid: Water</p> <p data-bbox="197 1072 692 1099">Liquid temperature range: -20 .. 90 °C</p> <p data-bbox="197 1102 632 1128">Selected liquid temperature: 20 °C</p> <p data-bbox="197 1131 778 1158">Density at selected liquid temperature: 998.2 kg/m³</p> <p data-bbox="197 1191 325 1218">Technical:</p> <p data-bbox="197 1220 820 1247">Pump speed on which pump data are based: 2789 rpm</p> <p data-bbox="197 1249 660 1276">Rated flow: 5.8 m³/h</p> <p data-bbox="197 1279 644 1305">Rated head: 28.7 m</p> <p data-bbox="197 1308 651 1335">Pump orientation: Vertical</p> <p data-bbox="197 1337 635 1364">Shaft seal arrangement: Single</p> <p data-bbox="197 1366 641 1393">Code for shaft seal: HQQV</p> <p data-bbox="197 1395 667 1422">Approvals on nameplate: CE, EAC</p> <p data-bbox="197 1424 762 1451">Curve tolerance: ISO9906:2012 3B</p> <p data-bbox="197 1485 319 1512">Materials:</p> <p data-bbox="197 1514 727 1576">Base: Stainless steel EN 1.4408 AISI 316</p> <p data-bbox="197 1610 727 1673">Impeller: Stainless steel EN 1.4301 AISI 304</p> <p data-bbox="197 1697 609 1724">Bearing: SIC</p> <p data-bbox="197 1758 341 1785">Installation:</p> <p data-bbox="197 1787 632 1814">Maximum ambient temperature: 40 °C</p> <p data-bbox="197 1816 638 1843">Maximum operating pressure: 25 bar</p> <p data-bbox="197 1845 734 1908">Max pressure at stated temp: 25 bar / 90 °C 25 bar / -20 °C</p> <p data-bbox="197 1910 692 1937">Type of connection: FlexiClamp</p> <p data-bbox="197 1939 638 1966">Size of inlet connection: DN 32</p> <p data-bbox="197 1968 638 1995">Size of outlet connection: DN 32</p> <p data-bbox="197 1998 686 2024">Pressure rating for pipe connection: PN 25</p> <p data-bbox="197 2027 638 2054">Flange size for motor: FT115</p>

Qty.	Description
------	-------------

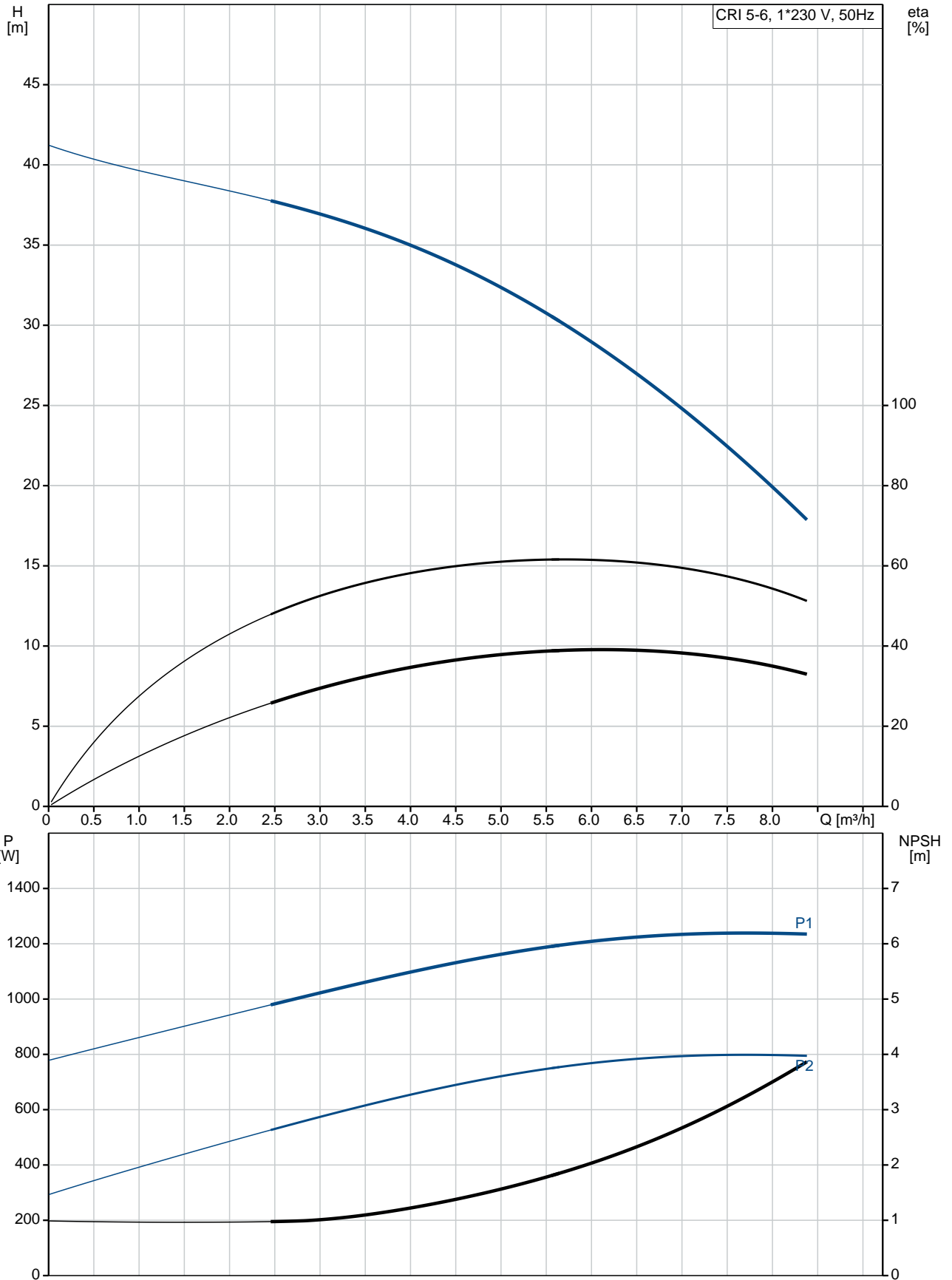
Electrical data:

Motor standard:	IEC
Motor type:	90SB
Rated power - P2:	1.1 kW
Power (P2) required by pump:	1.1 kW
Mains frequency:	50 Hz
Rated voltage:	1 x 220-230/240 V
Rated current:	7.40/6.70 A
Starting current:	390 %
Cos phi - power factor:	0.98/0.99
Rated speed:	2770 rpm
Motor efficiency at full load:	73-71 %
Number of poles:	2
Enclosure class (IEC 34-5):	55 Dust/Jetting
Insulation class (IEC 85):	F
Motor No:	85215705

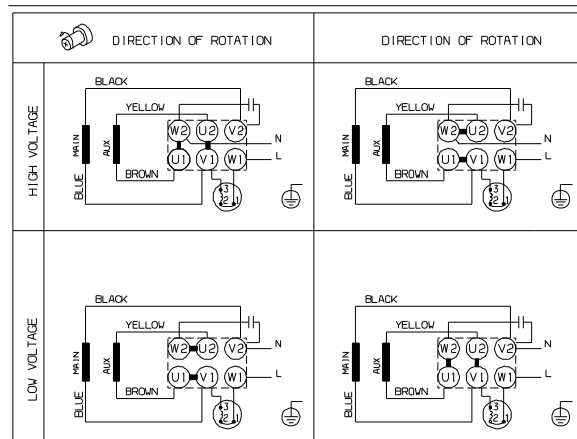
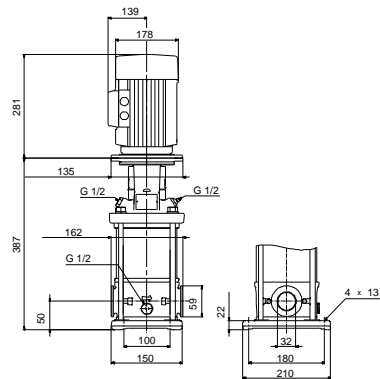
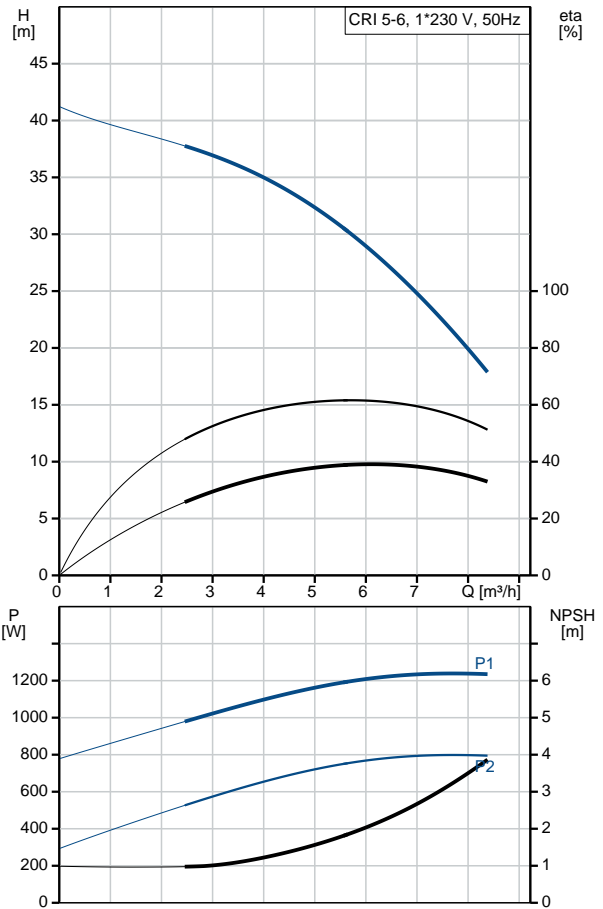
Others:

Minimum efficiency index, MEI :	0.57
Net weight:	31.5 kg
Gross weight:	34.3 kg
Shipping volume:	0.074 m ³
Country of origin:	GB
Custom tariff no.:	84137075

96533281 CRI 5-6 A-CA-A-V-HQQV 50 Hz



Description	Value
General information:	
Product name:	CRI 5-6 A-CA-A-V-HQQV
Product No:	96533281
EAN number:	5700397442555 5700397442555
Price:	1.071,00 GBP
Technical:	
Pump speed on which pump data are based:	2789 rpm
Rated flow:	5.8 m³/h
Rated head:	28.7 m
Head max:	40.5 m
Stages:	6
Impellers:	6
Number of reduced-diameter impellers:	0
Low NPSH:	N
Pump orientation:	Vertical
Shaft seal arrangement:	Single
Code for shaft seal:	HQQV
Approvals on nameplate:	CE, EAC
Curve tolerance:	ISO9906:2012 3B
Pump version:	A
Model:	A
Materials:	
Base:	Stainless steel EN 1.4408 AISI 316
Impeller:	Stainless steel EN 1.4301 AISI 304
Material code:	A
Code for rubber:	V
Bearing:	SIC
Installation:	
Maximum ambient temperature:	40 °C
Maximum operating pressure:	25 bar
Max pressure at stated temp:	25 bar / 90 °C 25 bar / -20 °C
Type of connection:	FlexiClamp
Size of inlet connection:	DN 32
Size of outlet connection:	DN 32
Pressure rating for pipe connection:	PN 25
Flange size for motor:	FT115
Connect code:	CA
Liquid:	
Pumped liquid:	Water
Liquid temperature range:	-20 .. 90 °C
Selected liquid temperature:	20 °C
Density at selected liquid temperature:	998.2 kg/m³
Electrical data:	
Motor standard:	IEC
Motor type:	90SB
Rated power - P2:	1.1 kW
Power (P2) required by pump:	1.1 kW
Mains frequency:	50 Hz
Rated voltage:	1 x 220-230/240 V
Rated current:	7.40/6.70 A
Starting current:	390 %





Company name:

Created by:

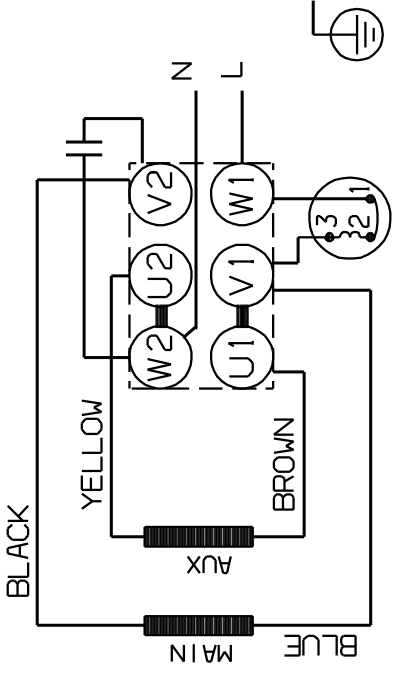
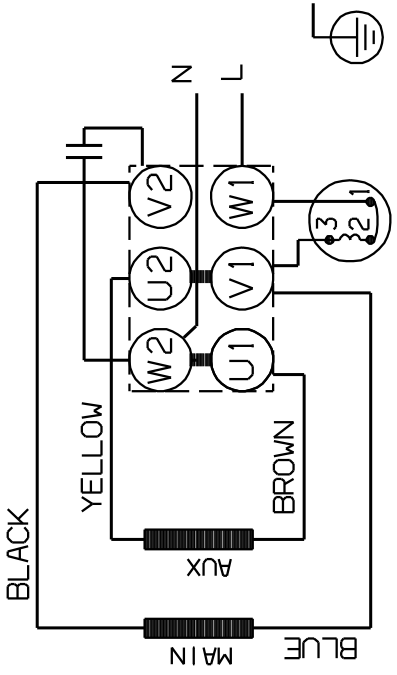
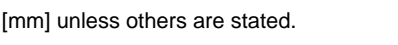
Phone:

Date:

25/09/2019

Description	Value
Cos phi - power factor:	0.98/0.99
Rated speed:	2770 rpm
Motor efficiency at full load:	73-71 %
Number of poles:	2
Enclosure class (IEC 34-5):	55 Dust/Jetting
Insulation class (IEC 85):	F
Motor protec:	PTO
Motor No:	85215705
Controls:	
Frequency converter:	NONE
Others:	
Minimum efficiency index, MEI :	0.57
Net weight:	31.5 kg
Gross weight:	34.3 kg
Shipping volume:	0.074 m ³
Sales region:	GB
Country of origin:	GB
Custom tariff no.:	84137075

96533281 CRI 5-6 A-CA-A-V-HQQV 50 Hz

DIRECTION OF ROTATION	
DIRECTION OF ROTATION	
DIRECTION OF ROTATION	
HIGH VOLTAGE	LOW VOLTAGE

Note! All units are in [mm] unless others are stated.