

**Qty. Description**

1 CRI 5-7 A-CA-A-V-HQQV



Note! Product picture may differ from actual product

Product No.: [96533282](#)

Vertical, multistage centrifugal pump with inlet and outlet ports on same the level (inline). Pump materials in contact with the liquid are in stainless steel. A cartridge shaft seal ensures high reliability, safe handling, and easy access and service. Power transmission is via a rigid split coupling. Pipe connection is via FlexiClamps.

The pump is fitted with a 1-phase, fan-cooled asynchronous motor.  
The pump is fitted with a 1-phase, fan-cooled asynchronous motor.

**Controls:**

Frequency converter: NONE

**Liquid:**

Pumped liquid: Water  
Liquid temperature range: -20 .. 90 °C  
Selected liquid temperature: 20 °C  
Density at selected liquid temperature: 998.2 kg/m<sup>3</sup>

**Technical:**

Pump speed on which pump data are based: 2789 rpm  
Rated flow: 5.8 m<sup>3</sup>/h  
Rated head: 33.1 m  
Pump orientation: Vertical  
Shaft seal arrangement: Single  
Code for shaft seal: HQQV  
Approvals on nameplate: CE, EAC  
Curve tolerance: ISO9906:2012 3B

**Materials:**

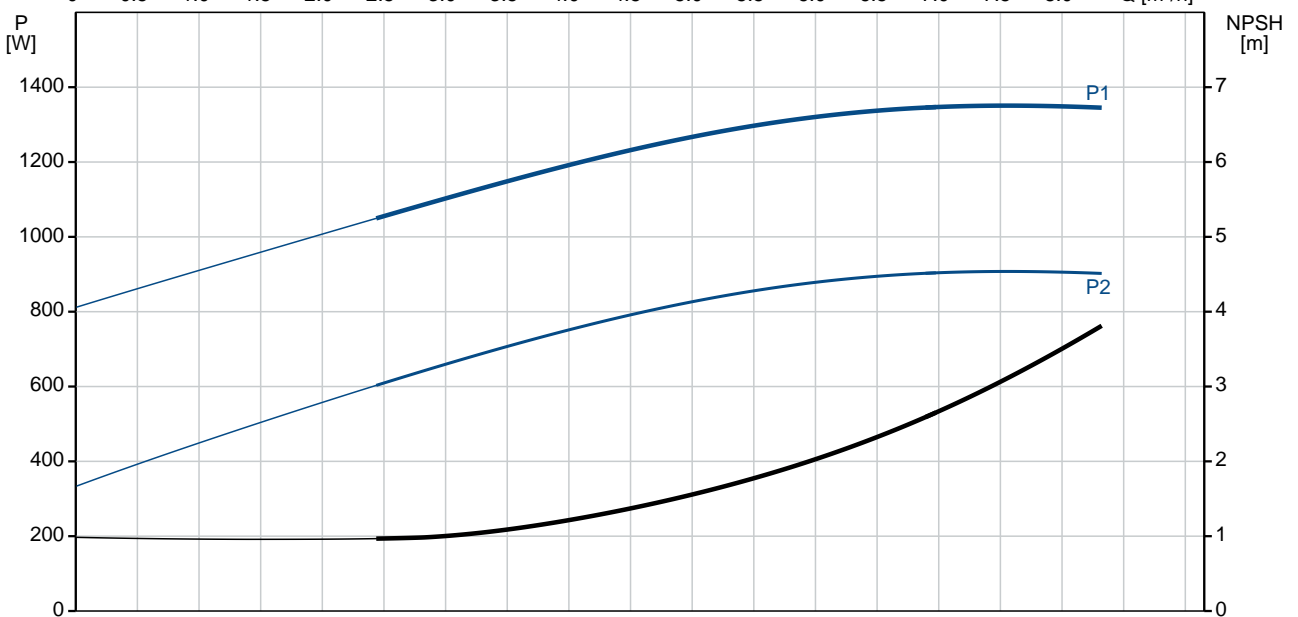
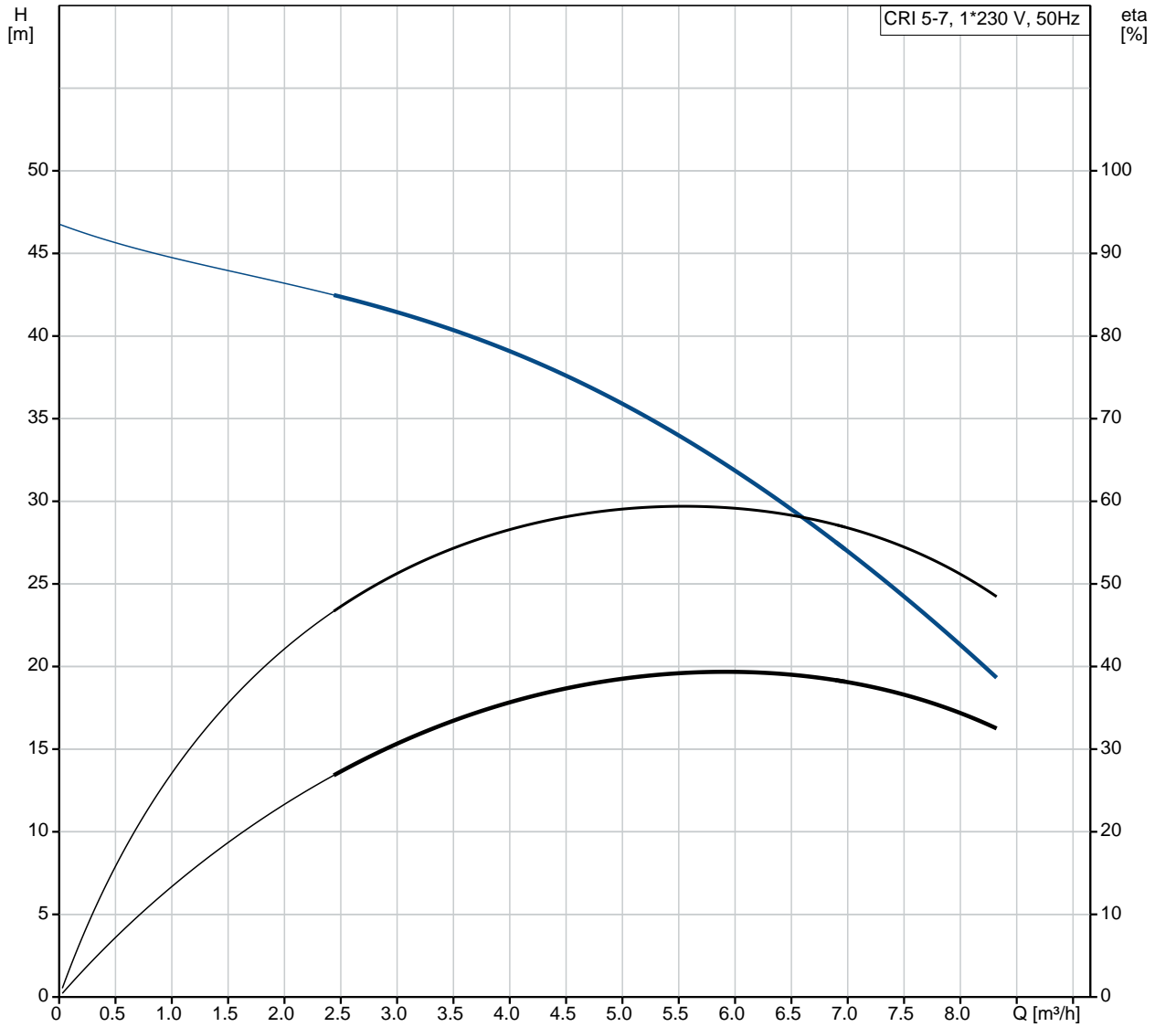
Base: Stainless steel  
EN 1.4408  
AISI 316  
Impeller: Stainless steel  
EN 1.4301  
AISI 304  
Bearing: SIC

**Installation:**

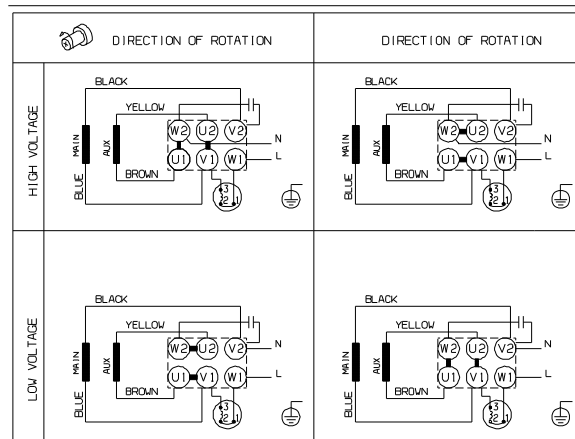
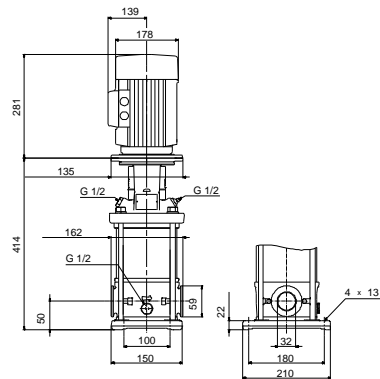
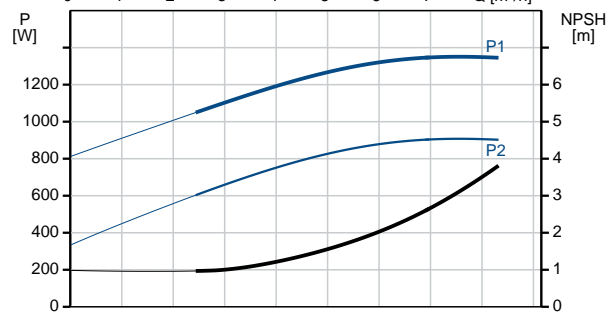
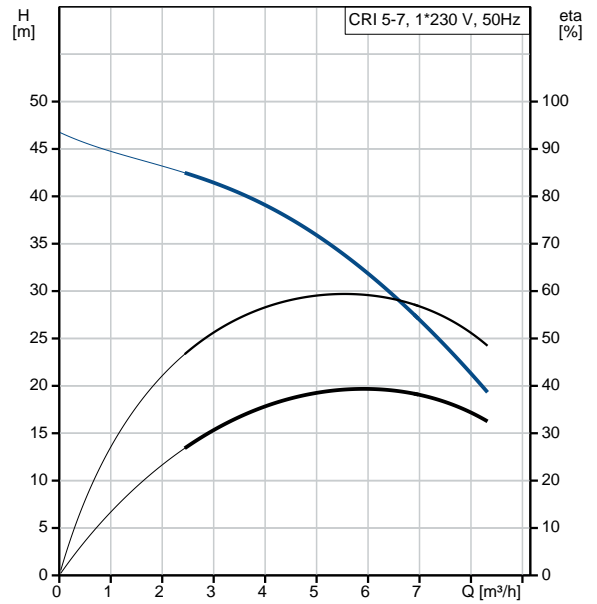
Maximum ambient temperature: 40 °C  
Maximum operating pressure: 25 bar

Qty.	Description
	<p>Max pressure at stated temp: 25 bar / 90 °C 25 bar / -20 °C</p> <p>Type of connection: FlexiClamp</p> <p>Size of inlet connection: DN 32</p> <p>Size of outlet connection: DN 32</p> <p>Pressure rating for pipe connection: PN 25</p> <p>Flange size for motor: FT115</p> <p><b>Electrical data:</b></p> <p>Motor standard: IEC</p> <p>Motor type: 90SB</p> <p>Rated power - P2: 1.1 kW</p> <p>Power (P2) required by pump: 1.1 kW</p> <p>Mains frequency: 50 Hz</p> <p>Rated voltage: 1 x 220-230/240 V</p> <p>Rated current: 7.40/6.70 A</p> <p>Starting current: 390 %</p> <p>Cos phi - power factor: 0.98/0.99</p> <p>Rated speed: 2770 rpm</p> <p>Motor efficiency at full load: 73-71 %</p> <p>Number of poles: 2</p> <p>Enclosure class (IEC 34-5): 55 Dust/Jetting</p> <p>Insulation class (IEC 85): F</p> <p>Motor No: 85215705</p> <p><b>Others:</b></p> <p>Minimum efficiency index, MEI : 0.57</p> <p>Net weight: 32 kg</p> <p>Gross weight: 34.9 kg</p> <p>Shipping volume: 0.074 m<sup>3</sup></p> <p>Country of origin: GB</p> <p>Custom tariff no.: 84137075</p>

## 96533282 CRI 5-7 A-CA-A-V-HQQV 50 Hz



Description	Value
<b>General information:</b>	
Product name:	CRI 5-7 A-CA-A-V-HQQV
Product No:	96533282
EAN number:	5700397442562 5700397442562
Price:	1.104,00 GBP
<b>Technical:</b>	
Pump speed on which pump data are based:	2789 rpm
Rated flow:	5.8 m³/h
Rated head:	33.1 m
Head max:	46.8 m
Stages:	7
Impellers:	7
Number of reduced-diameter impellers:	0
Low NPSH:	N
Pump orientation:	Vertical
Shaft seal arrangement:	Single
Code for shaft seal:	HQQV
Approvals on nameplate:	CE, EAC
Curve tolerance:	ISO9906:2012 3B
Pump version:	A
Model:	A
<b>Materials:</b>	
Base:	Stainless steel EN 1.4408 AISI 316
Impeller:	Stainless steel EN 1.4301 AISI 304
Material code:	A
Code for rubber:	V
Bearing:	SIC
<b>Installation:</b>	
Maximum ambient temperature:	40 °C
Maximum operating pressure:	25 bar
Max pressure at stated temp:	25 bar / 90 °C 25 bar / -20 °C
Type of connection:	FlexiClamp
Size of inlet connection:	DN 32
Size of outlet connection:	DN 32
Pressure rating for pipe connection:	PN 25
Flange size for motor:	FT115
Connect code:	CA
<b>Liquid:</b>	
Pumped liquid:	Water
Liquid temperature range:	-20 .. 90 °C
Selected liquid temperature:	20 °C
Density at selected liquid temperature:	998.2 kg/m³
<b>Electrical data:</b>	
Motor standard:	IEC
Motor type:	90SB
Rated power - P2:	1.1 kW
Power (P2) required by pump:	1.1 kW
Mains frequency:	50 Hz
Rated voltage:	1 x 220-230/240 V
Rated current:	7.40/6.70 A
Starting current:	390 %





Company name:

Created by:

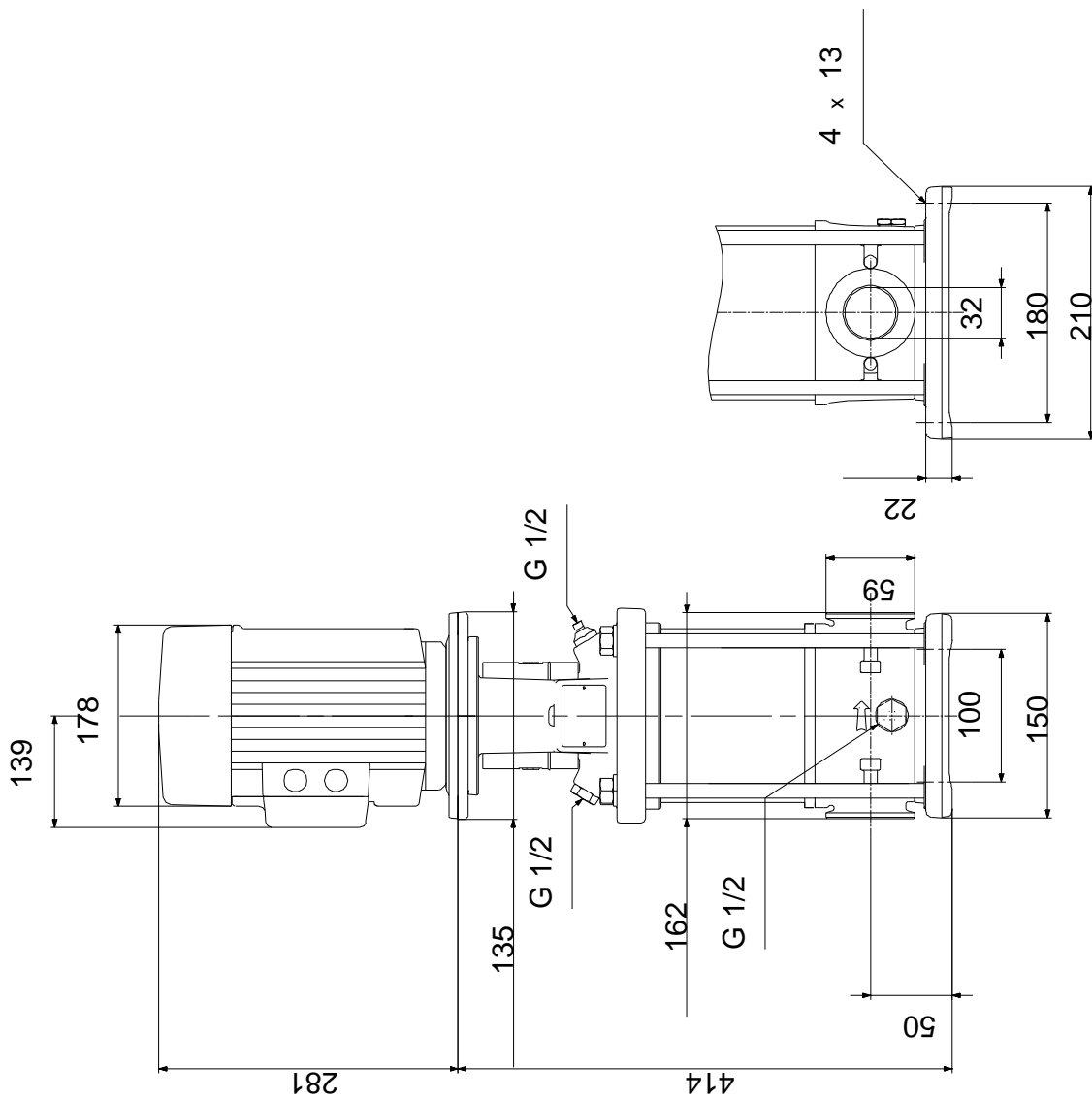
Phone:

Date:

25/09/2019

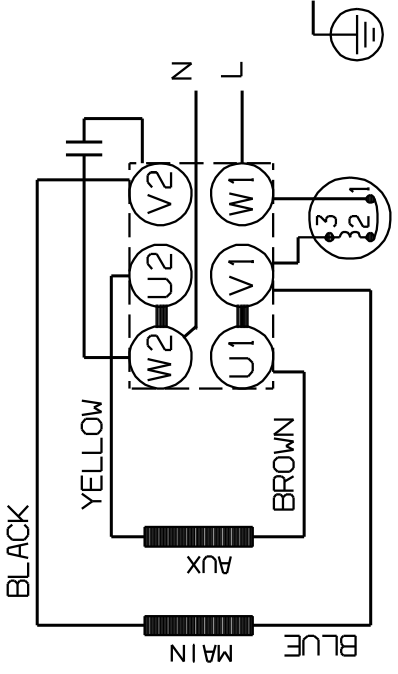
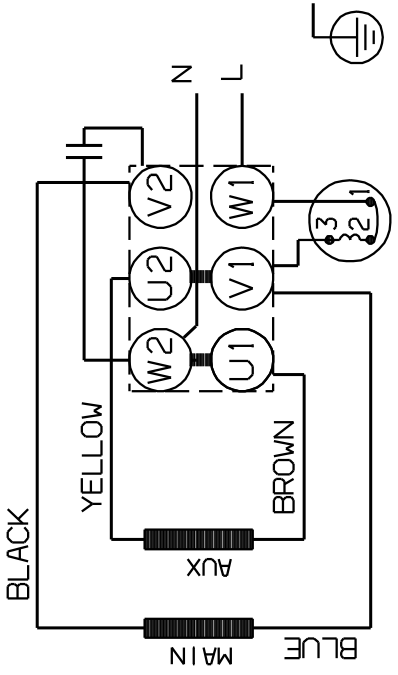
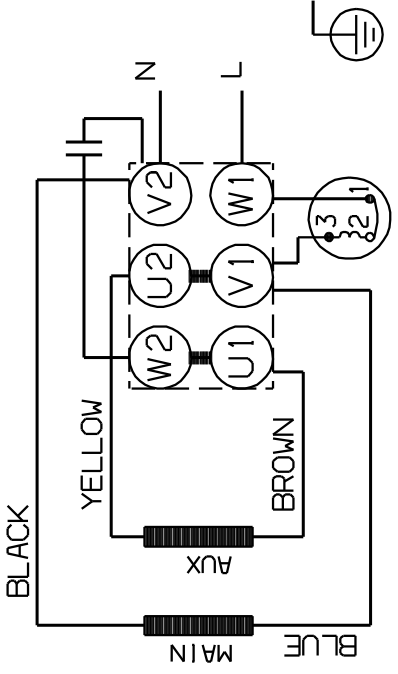
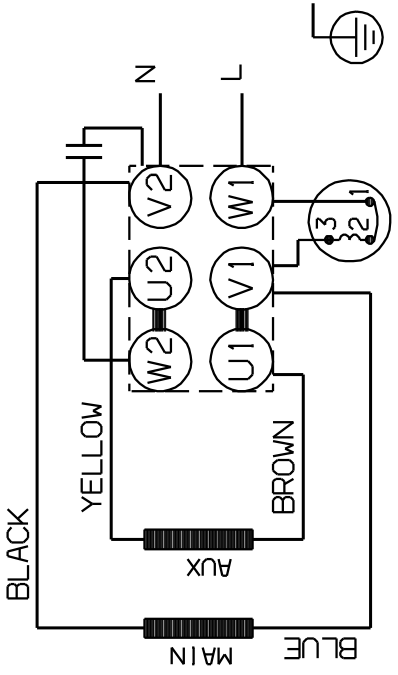
Description	Value
Cos phi - power factor:	0.98/0.99
Rated speed:	2770 rpm
Motor efficiency at full load:	73-71 %
Number of poles:	2
Enclosure class (IEC 34-5):	55 Dust/Jetting
Insulation class (IEC 85):	F
Motor protec:	PTO
Motor No:	85215705
<b>Controls:</b>	
Frequency converter:	NONE
<b>Others:</b>	
Minimum efficiency index, MEI :	0.57
Net weight:	32 kg
Gross weight:	34.9 kg
Shipping volume:	0.074 m <sup>3</sup>
Sales region:	GB
Country of origin:	GB
Custom tariff no.:	84137075

## 96533282 CRI 5-7 A-CA-A-V-HQQV 50 Hz



Note! All units are in [mm] unless others are stated.  
Disclaimer: This simplified dimensional drawing does not show all details.

## 96533282 CRI 5-7 A-CA-A-V-HQQV 50 Hz

DIRECTION OF ROTATION	
DIRECTION OF ROTATION	
	
	

Note! All units are in [mm] unless others are stated.