


Qty.	Description
1	<p data-bbox="199 338 491 367"><b>CRI 5-8 A-CA-A-V-HQQV</b></p>  <p data-bbox="199 660 469 689">Product No.: <a href="#">96533283</a></p> <p data-bbox="199 719 1449 797">Vertical, multistage centrifugal pump with inlet and outlet ports on same the level (inline). Pump materials in contact with the liquid are in stainless steel. A cartridge shaft seal ensures high reliability, safe handling, and easy access and service. Power transmission is via a rigid split coupling. Pipe connection is via FlexiClamps.</p> <p data-bbox="199 835 936 864">The pump is fitted with a 1-phase, fan-cooled asynchronous motor.</p> <p data-bbox="199 864 936 893">The pump is fitted with a 1-phase, fan-cooled asynchronous motor.</p> <p data-bbox="199 925 316 954"><b>Controls:</b></p> <p data-bbox="199 954 638 983">Frequency converter: NONE</p> <p data-bbox="199 1014 288 1043"><b>Liquid:</b></p> <p data-bbox="199 1043 638 1072">Pumped liquid: Water</p> <p data-bbox="199 1072 694 1102">Liquid temperature range: -20 .. 90 °C</p> <p data-bbox="199 1102 632 1131">Selected liquid temperature: 20 °C</p> <p data-bbox="199 1131 778 1160">Density at selected liquid temperature: 998.2 kg/m<sup>3</sup></p> <p data-bbox="199 1191 328 1220"><b>Technical:</b></p> <p data-bbox="199 1220 821 1249">Pump speed on which pump data are based: 2789 rpm</p> <p data-bbox="199 1249 660 1279">Rated flow: 5.8 m<sup>3</sup>/h</p> <p data-bbox="199 1279 644 1308">Rated head: 37.8 m</p> <p data-bbox="199 1308 651 1337">Pump orientation: Vertical</p> <p data-bbox="199 1337 636 1366">Shaft seal arrangement: Single</p> <p data-bbox="199 1366 641 1395">Code for shaft seal: HQQV</p> <p data-bbox="199 1395 668 1424">Approvals on nameplate: CE, EAC</p> <p data-bbox="199 1424 764 1453">Curve tolerance: ISO9906:2012 3B</p> <p data-bbox="199 1485 320 1514"><b>Materials:</b></p> <p data-bbox="199 1514 729 1576">Base: Stainless steel EN 1.4408 AISI 316</p> <p data-bbox="199 1608 729 1671">Impeller: Stainless steel EN 1.4301 AISI 304</p> <p data-bbox="199 1695 609 1724">Bearing: SIC</p> <p data-bbox="199 1756 344 1785"><b>Installation:</b></p> <p data-bbox="199 1785 632 1814">Maximum ambient temperature: 40 °C</p> <p data-bbox="199 1814 638 1843">Maximum operating pressure: 25 bar</p> <p data-bbox="199 1843 735 1906">Max pressure at stated temp: 25 bar / 90 °C 25 bar / -20 °C</p> <p data-bbox="199 1906 692 1935">Type of connection: FlexiClamp</p> <p data-bbox="199 1935 638 1964">Size of inlet connection: DN 32</p> <p data-bbox="199 1964 638 1993">Size of outlet connection: DN 32</p> <p data-bbox="199 1993 686 2022">Pressure rating for pipe connection: PN 25</p> <p data-bbox="199 2022 638 2051">Flange size for motor: FT115</p>

Qty.	Description
------	-------------

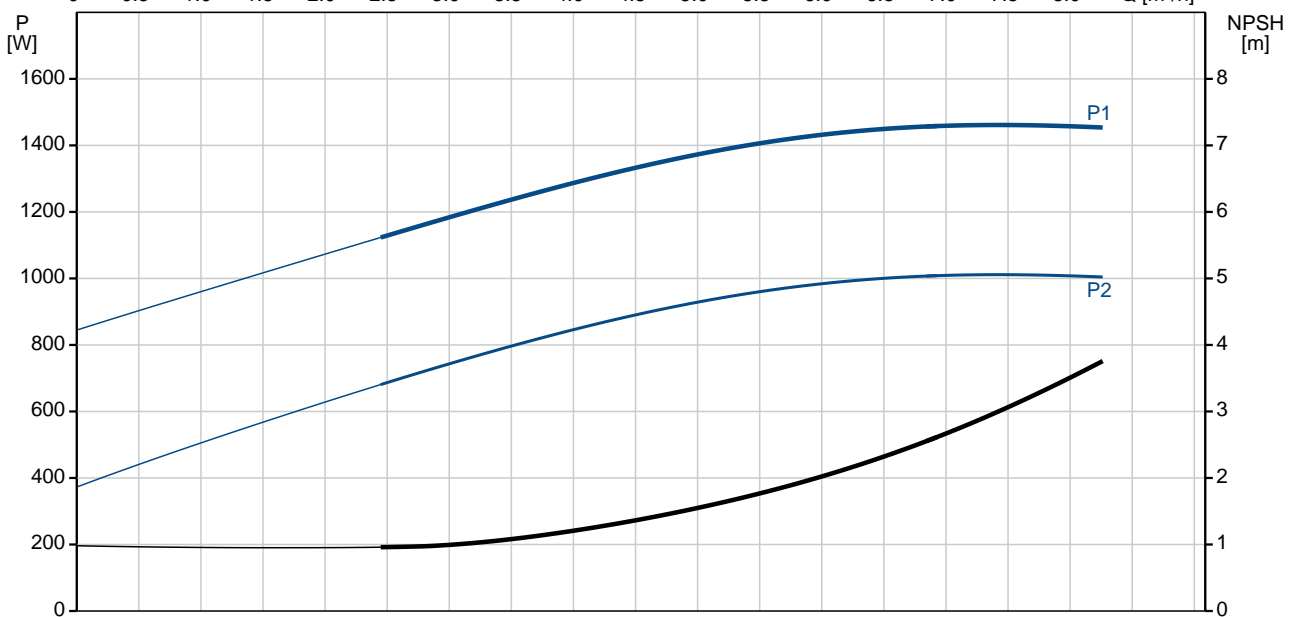
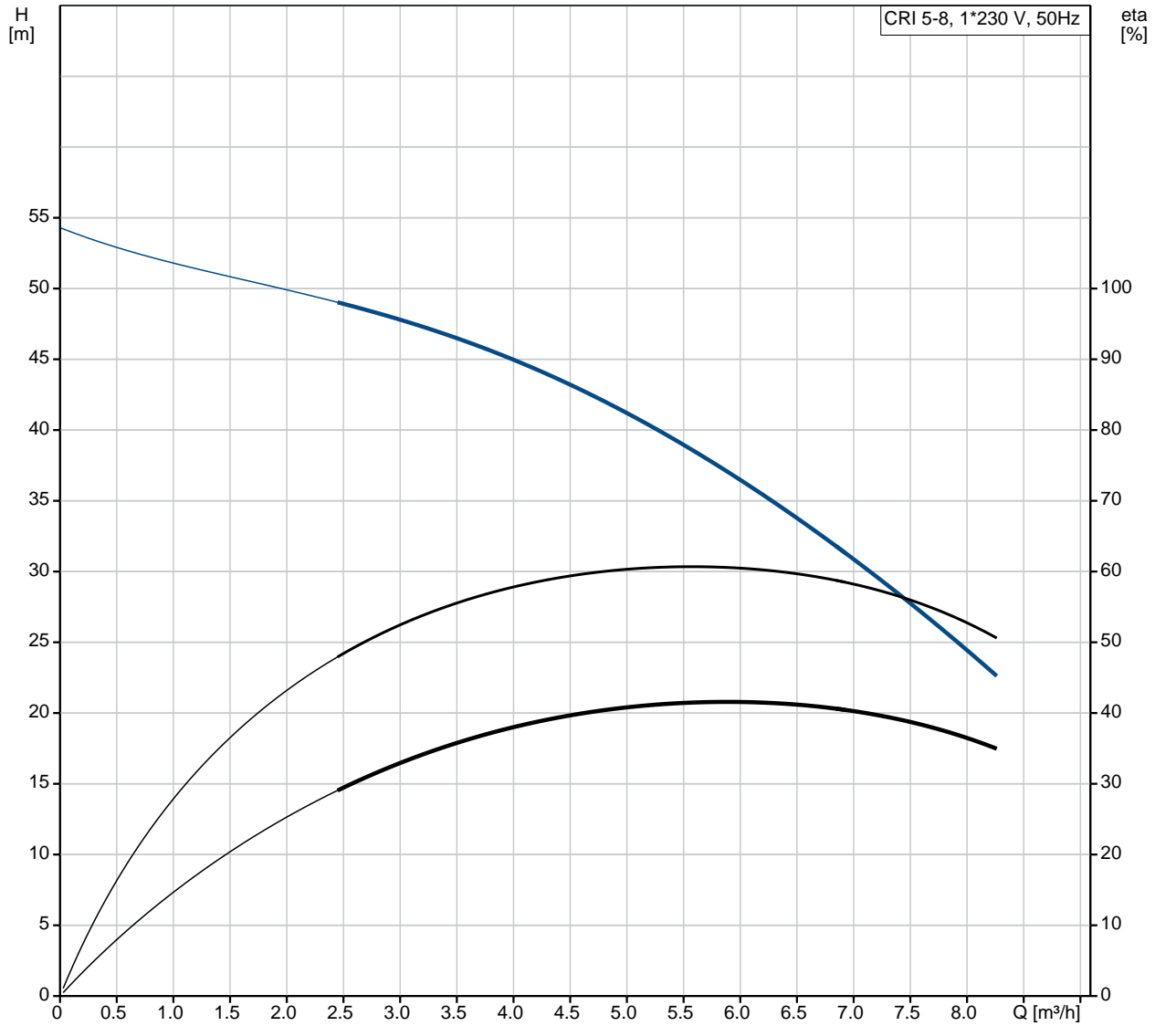
**Electrical data:**

Motor standard:	IEC
Motor type:	90SB
Rated power - P2:	1.1 kW
Power (P2) required by pump:	1.1 kW
Mains frequency:	50 Hz
Rated voltage:	1 x 220-230/240 V
Rated current:	7.40/6.70 A
Starting current:	390 %
Cos phi - power factor:	0.98/0.99
Rated speed:	2770 rpm
Motor efficiency at full load:	73-71 %
Number of poles:	2
Enclosure class (IEC 34-5):	55 Dust/Jetting
Insulation class (IEC 85):	F
Motor No:	85215705

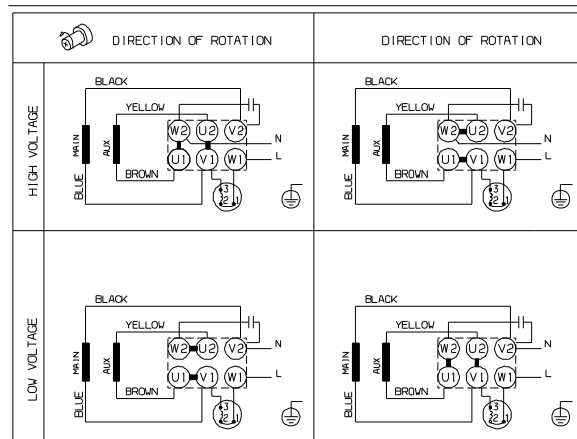
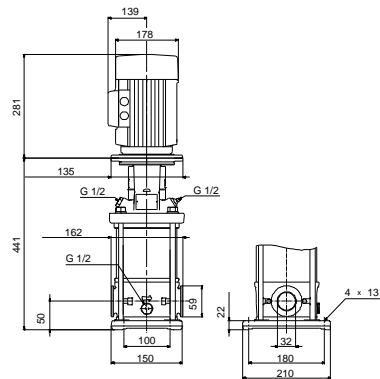
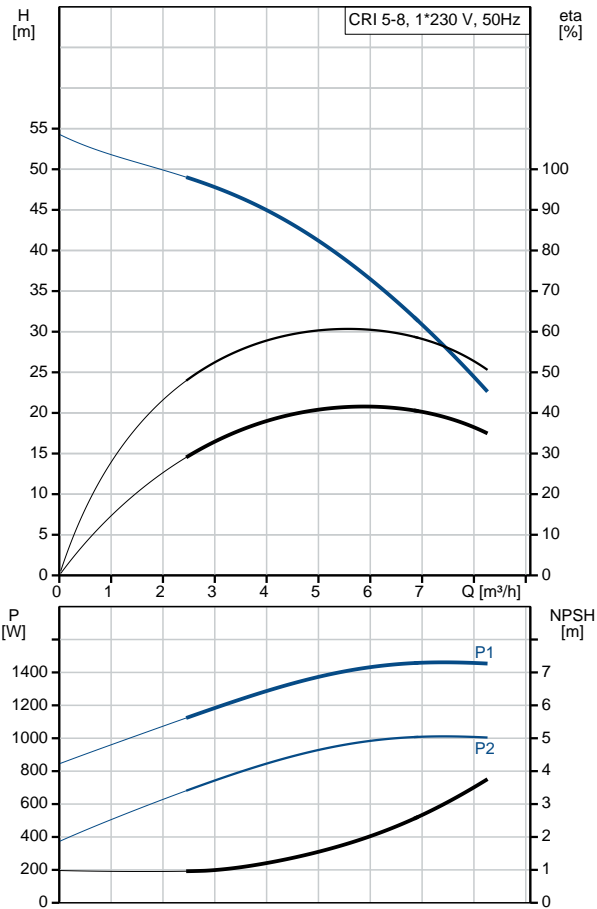
**Others:**

Minimum efficiency index, MEI :	0.57
Net weight:	32.6 kg
Gross weight:	36.6 kg
Shipping volume:	0.092 m <sup>3</sup>
Country of origin:	GB
Custom tariff no.:	84137075

## 96533283 CRI 5-8 A-CA-A-V-HQQV 50 Hz



Description	Value
<b>General information:</b>	
Product name:	CRI 5-8 A-CA-A-V-HQQV
Product No:	96533283
EAN number:	5700397442579
	5700397442579
Price:	1.139,00 GBP
<b>Technical:</b>	
Pump speed on which pump data are based:	2789 rpm
Rated flow:	5.8 m³/h
Rated head:	37.8 m
Head max:	54 m
Stages:	8
Impellers:	8
Number of reduced-diameter impellers:	0
Low NPSH:	N
Pump orientation:	Vertical
Shaft seal arrangement:	Single
Code for shaft seal:	HQQV
Approvals on nameplate:	CE, EAC
Curve tolerance:	ISO9906:2012 3B
Pump version:	A
Model:	A
<b>Materials:</b>	
Base:	Stainless steel EN 1.4408 AISI 316
Impeller:	Stainless steel EN 1.4301 AISI 304
Material code:	A
Code for rubber:	V
Bearing:	SIC
<b>Installation:</b>	
Maximum ambient temperature:	40 °C
Maximum operating pressure:	25 bar
Max pressure at stated temp:	25 bar / 90 °C 25 bar / -20 °C
Type of connection:	FlexiClamp
Size of inlet connection:	DN 32
Size of outlet connection:	DN 32
Pressure rating for pipe connection:	PN 25
Flange size for motor:	FT115
Connect code:	CA
<b>Liquid:</b>	
Pumped liquid:	Water
Liquid temperature range:	-20 .. 90 °C
Selected liquid temperature:	20 °C
Density at selected liquid temperature:	998.2 kg/m³
<b>Electrical data:</b>	
Motor standard:	IEC
Motor type:	90SB
Rated power - P2:	1.1 kW
Power (P2) required by pump:	1.1 kW
Mains frequency:	50 Hz
Rated voltage:	1 x 220-230/240 V
Rated current:	7.40/6.70 A
Starting current:	390 %





Company name:

Created by:

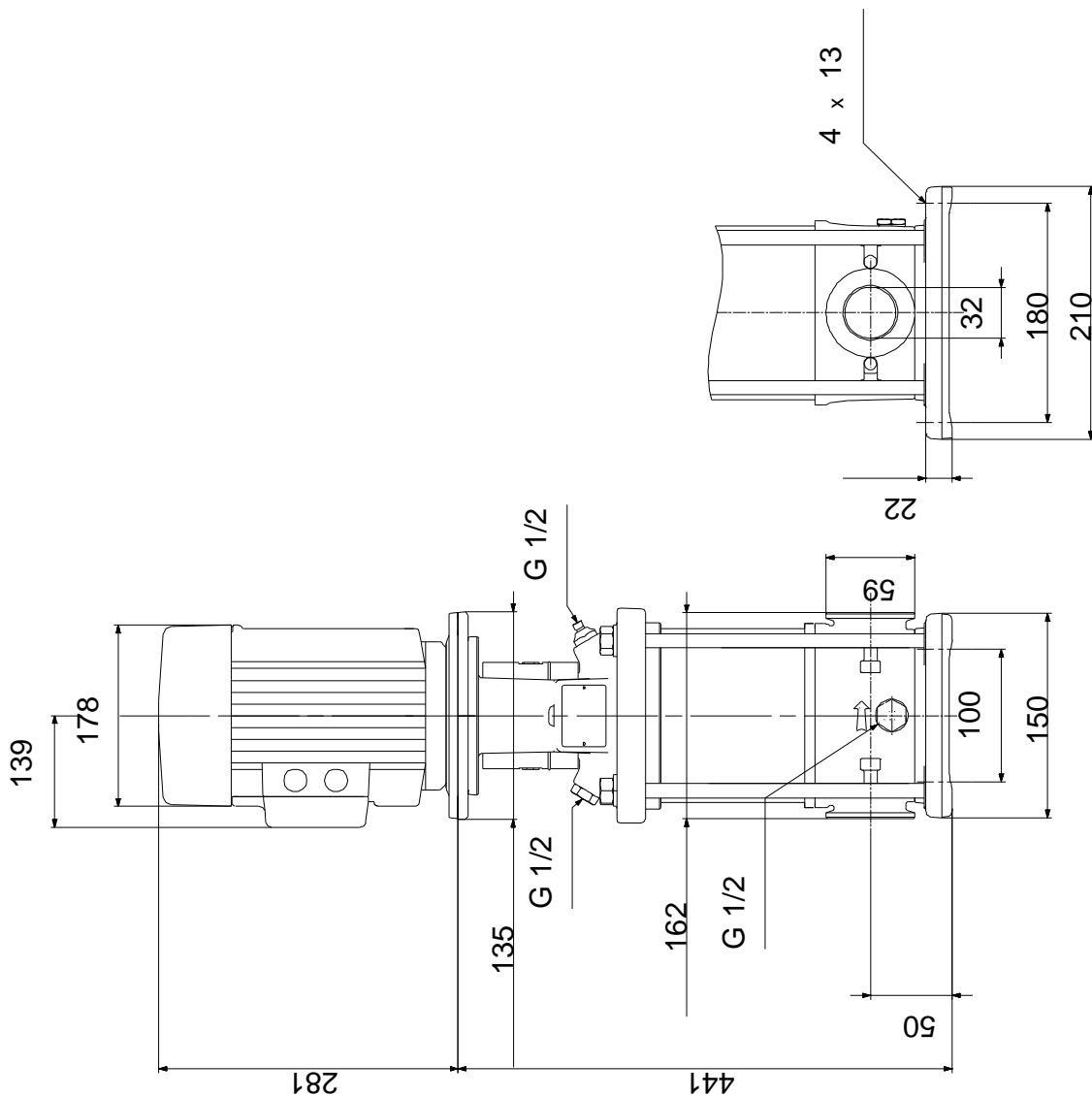
Phone:

Date:

25/09/2019

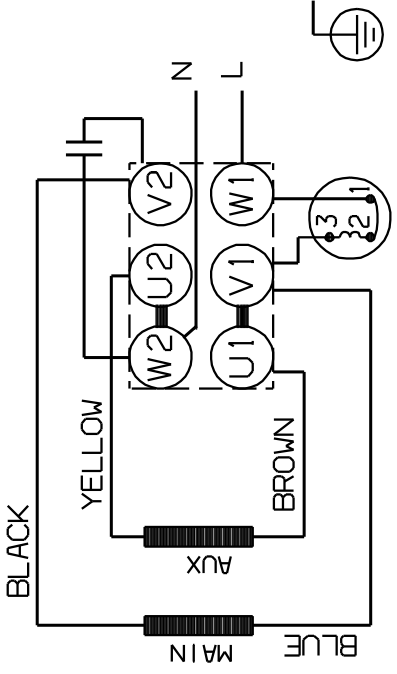
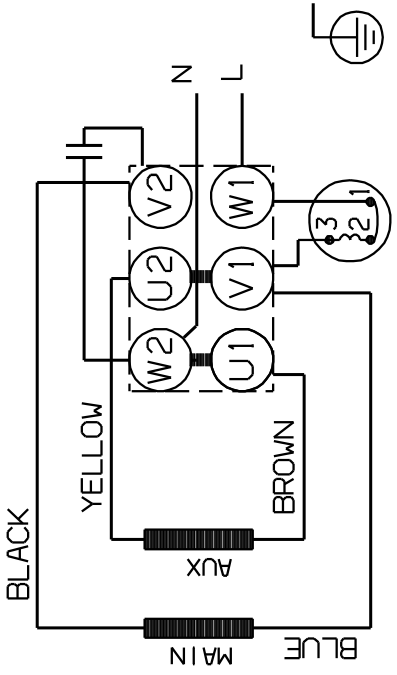
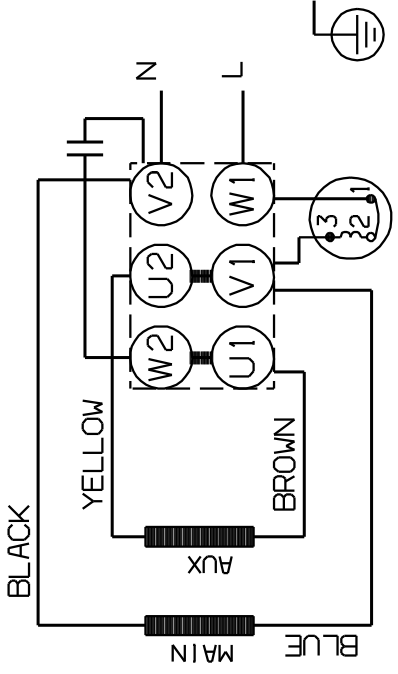
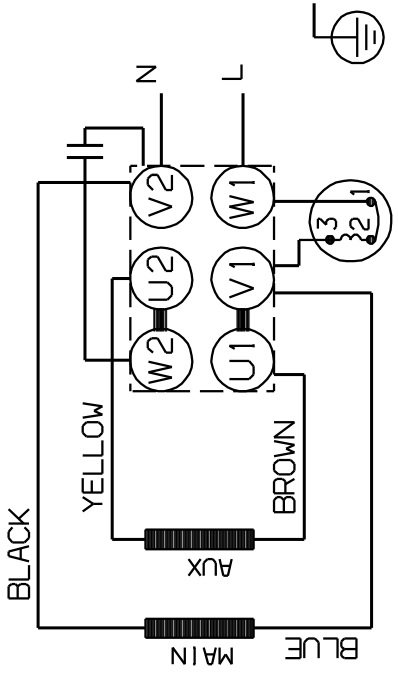
Description	Value
Cos phi - power factor:	0.98/0.99
Rated speed:	2770 rpm
Motor efficiency at full load:	73-71 %
Number of poles:	2
Enclosure class (IEC 34-5):	55 Dust/Jetting
Insulation class (IEC 85):	F
Motor protec:	PTO
Motor No:	85215705
<b>Controls:</b>	
Frequency converter:	NONE
<b>Others:</b>	
Minimum efficiency index, MEI :	0.57
Net weight:	32.6 kg
Gross weight:	36.6 kg
Shipping volume:	0.092 m <sup>3</sup>
Sales region:	GB
Country of origin:	GB
Custom tariff no.:	84137075

## 96533283 CRI 5-8 A-CA-A-V-HQQV 50 Hz



Note! All units are in [mm] unless others are stated.  
Disclaimer: This simplified dimensional drawing does not show all details.

## 96533283 CRI 5-8 A-CA-A-V-HQQV 50 Hz

<p>DIRECTION OF ROTATION</p>	
<p>DIRECTION OF ROTATION</p>	
	
	

Note! All units are in [mm] unless others are stated.