


Qty.	Description
1	<p data-bbox="199 338 504 367">CRI 5-10 A-CA-A-V-HQQV</p> <div data-bbox="352 378 432 629" style="text-align: center;">  </div> <p data-bbox="199 660 469 689">Product No.: 96533285</p> <p data-bbox="199 719 1449 797">Vertical, multistage centrifugal pump with inlet and outlet ports on same the level (inline). Pump materials in contact with the liquid are in stainless steel. A cartridge shaft seal ensures high reliability, safe handling, and easy access and service. Power transmission is via a rigid split coupling. Pipe connection is via FlexiClamps.</p> <p data-bbox="199 835 936 864">The pump is fitted with a 1-phase, fan-cooled asynchronous motor.</p> <p data-bbox="199 864 936 893">The pump is fitted with a 1-phase, fan-cooled asynchronous motor.</p> <p data-bbox="199 925 316 954">Controls:</p> <p data-bbox="199 954 638 983">Frequency converter: NONE</p> <p data-bbox="199 1014 288 1043">Liquid:</p> <p data-bbox="199 1043 635 1072">Pumped liquid: Water</p> <p data-bbox="199 1072 692 1102">Liquid temperature range: -20 .. 90 °C</p> <p data-bbox="199 1102 632 1131">Selected liquid temperature: 20 °C</p> <p data-bbox="199 1131 778 1160">Density at selected liquid temperature: 998.2 kg/m³</p> <p data-bbox="199 1191 328 1220">Technical:</p> <p data-bbox="199 1220 821 1249">Pump speed on which pump data are based: 2767 rpm</p> <p data-bbox="199 1249 660 1279">Rated flow: 5.8 m³/h</p> <p data-bbox="199 1279 644 1308">Rated head: 45.4 m</p> <p data-bbox="199 1308 651 1337">Pump orientation: Vertical</p> <p data-bbox="199 1337 635 1366">Shaft seal arrangement: Single</p> <p data-bbox="199 1366 639 1395">Code for shaft seal: HQQV</p> <p data-bbox="199 1395 667 1424">Approvals on nameplate: CE, EAC</p> <p data-bbox="199 1424 764 1453">Curve tolerance: ISO9906:2012 3B</p> <p data-bbox="199 1485 320 1514">Materials:</p> <p data-bbox="199 1514 727 1576">Base: Stainless steel EN 1.4408 AISI 316</p> <p data-bbox="199 1608 727 1671">Impeller: Stainless steel EN 1.4301 AISI 304</p> <p data-bbox="199 1693 608 1722">Bearing: SIC</p> <p data-bbox="199 1753 344 1783">Installation:</p> <p data-bbox="199 1783 632 1812">Maximum ambient temperature: 40 °C</p> <p data-bbox="199 1812 639 1841">Maximum operating pressure: 25 bar</p> <p data-bbox="199 1841 735 1904">Max pressure at stated temp: 25 bar / 90 °C 25 bar / -20 °C</p> <p data-bbox="199 1904 692 1933">Type of connection: FlexiClamp</p> <p data-bbox="199 1933 639 1962">Size of inlet connection: DN 32</p> <p data-bbox="199 1962 639 1991">Size of outlet connection: DN 32</p> <p data-bbox="199 1991 686 2020">Pressure rating for pipe connection: PN 25</p> <p data-bbox="199 2020 639 2049">Flange size for motor: FT115</p>

Qty.	Description
------	-------------

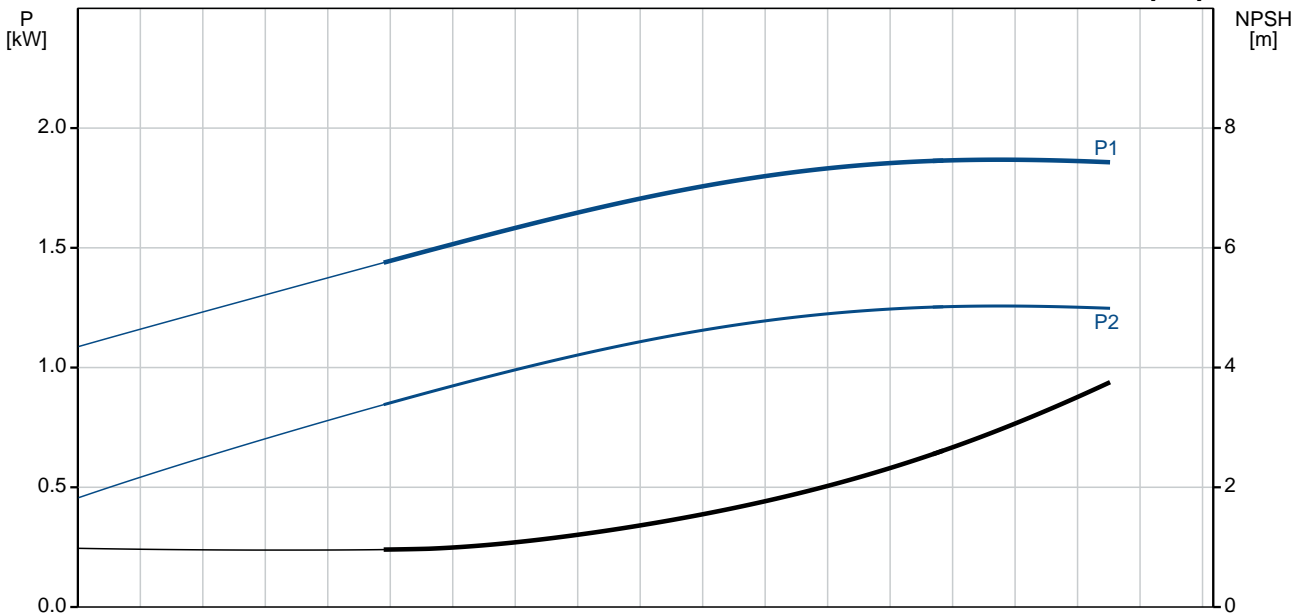
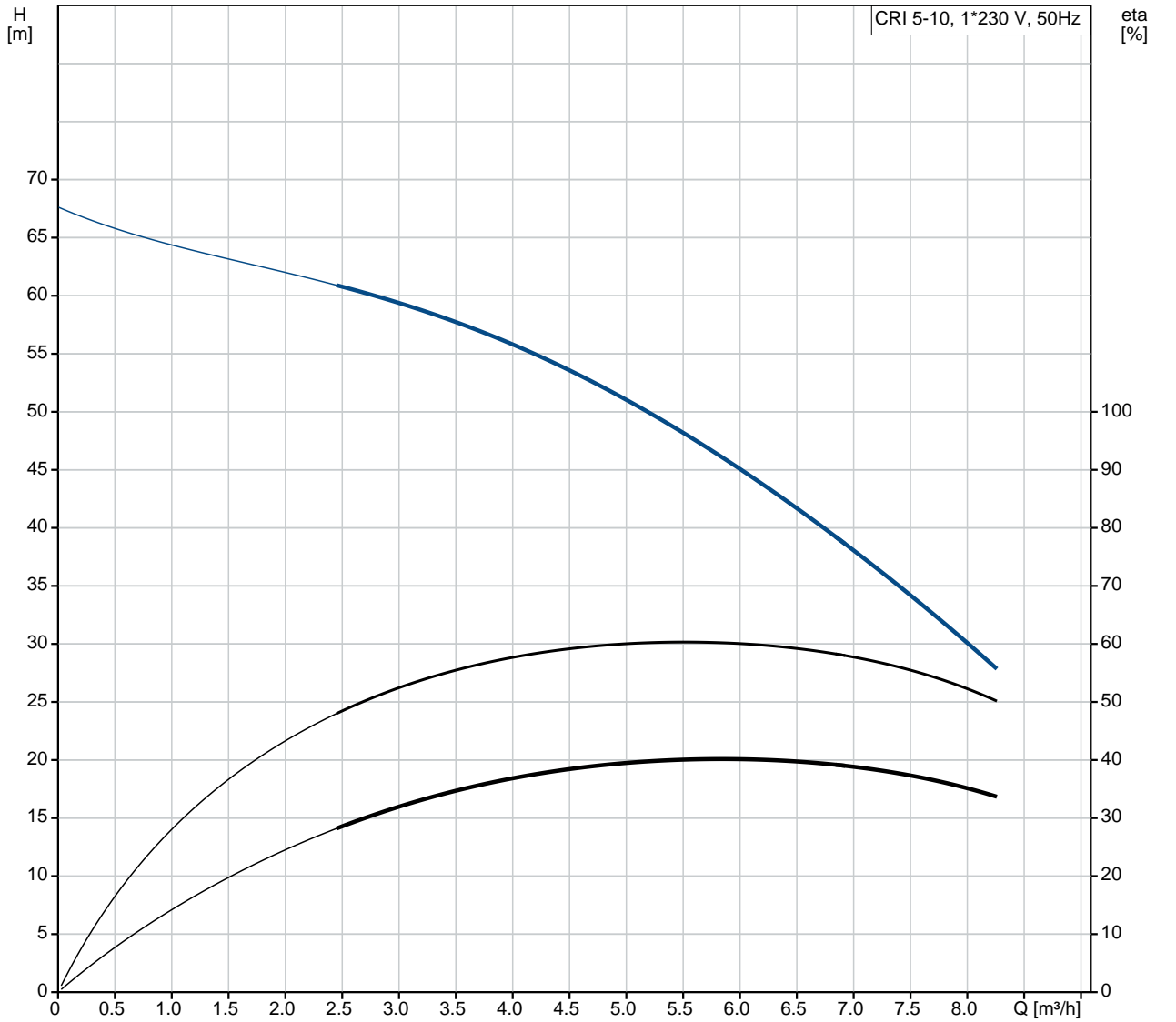
Electrical data:

Motor standard:	IEC
Motor type:	90LB
Rated power - P2:	1.5 kW
Power (P2) required by pump:	1.5 kW
Mains frequency:	50 Hz
Rated voltage:	1 x 220-230/240 V
Rated current:	9.90/8.90 A
Starting current:	390 %
Cos phi - power factor:	0.98/0.99
Rated speed:	2750/2740 rpm
Motor efficiency at full load:	72-70 %
Number of poles:	2
Enclosure class (IEC 34-5):	55 Dust/Jetting
Insulation class (IEC 85):	F
Motor No:	85215706

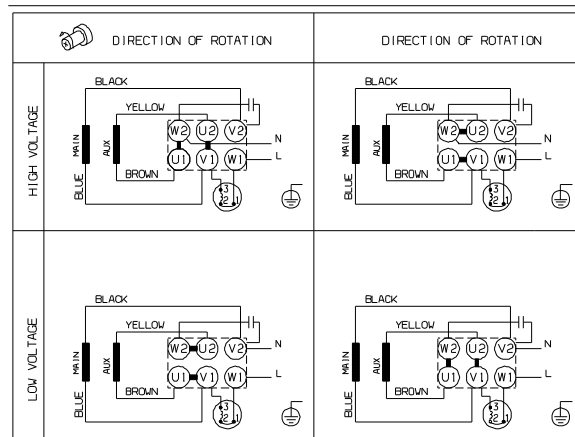
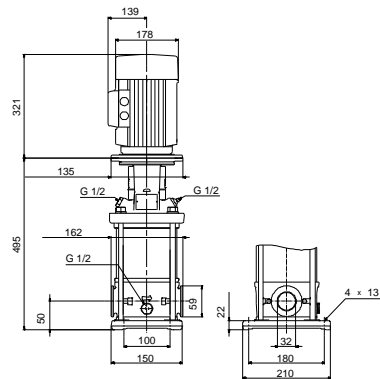
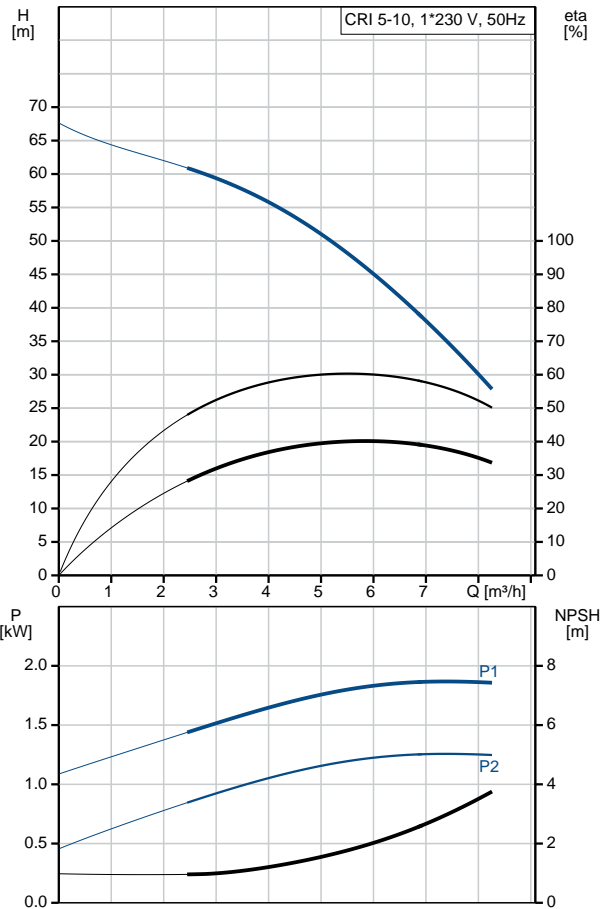
Others:

Minimum efficiency index, MEI :	0.57
Net weight:	34.6 kg
Gross weight:	38.7 kg
Shipping volume:	0.092 m ³
Country of origin:	GB
Custom tariff no.:	84137075

96533285 CRI 5-10 A-CA-A-V-HQQV 50 Hz



Description	Value
General information:	
Product name:	CRI 5-10 A-CA-A-V-HQQV
Product No:	96533285
EAN number:	5700397442593 5700397442593
Price:	1.361,00 GBP
Technical:	
Pump speed on which pump data are based:	2767 rpm
Rated flow:	5.8 m ³ /h
Rated head:	45.4 m
Head max:	66.3 m
Stages:	10
Impellers:	10
Number of reduced-diameter impellers:	0
Low NPSH:	N
Pump orientation:	Vertical
Shaft seal arrangement:	Single
Code for shaft seal:	HQQV
Approvals on nameplate:	CE, EAC
Curve tolerance:	ISO9906:2012 3B
Pump version:	A
Model:	A
Materials:	
Base:	Stainless steel EN 1.4408 AISI 316
Impeller:	Stainless steel EN 1.4301 AISI 304
Material code:	A
Code for rubber:	V
Bearing:	SIC
Installation:	
Maximum ambient temperature:	40 °C
Maximum operating pressure:	25 bar
Max pressure at stated temp:	25 bar / 90 °C 25 bar / -20 °C
Type of connection:	FlexiClamp
Size of inlet connection:	DN 32
Size of outlet connection:	DN 32
Pressure rating for pipe connection:	PN 25
Flange size for motor:	FT115
Connect code:	CA
Liquid:	
Pumped liquid:	Water
Liquid temperature range:	-20 .. 90 °C
Selected liquid temperature:	20 °C
Density at selected liquid temperature:	998.2 kg/m ³
Electrical data:	
Motor standard:	IEC
Motor type:	90LB
Rated power - P2:	1.5 kW
Power (P2) required by pump:	1.5 kW
Mains frequency:	50 Hz
Rated voltage:	1 x 220-230/240 V
Rated current:	9.90/8.90 A
Starting current:	390 %





Company name:

Created by:

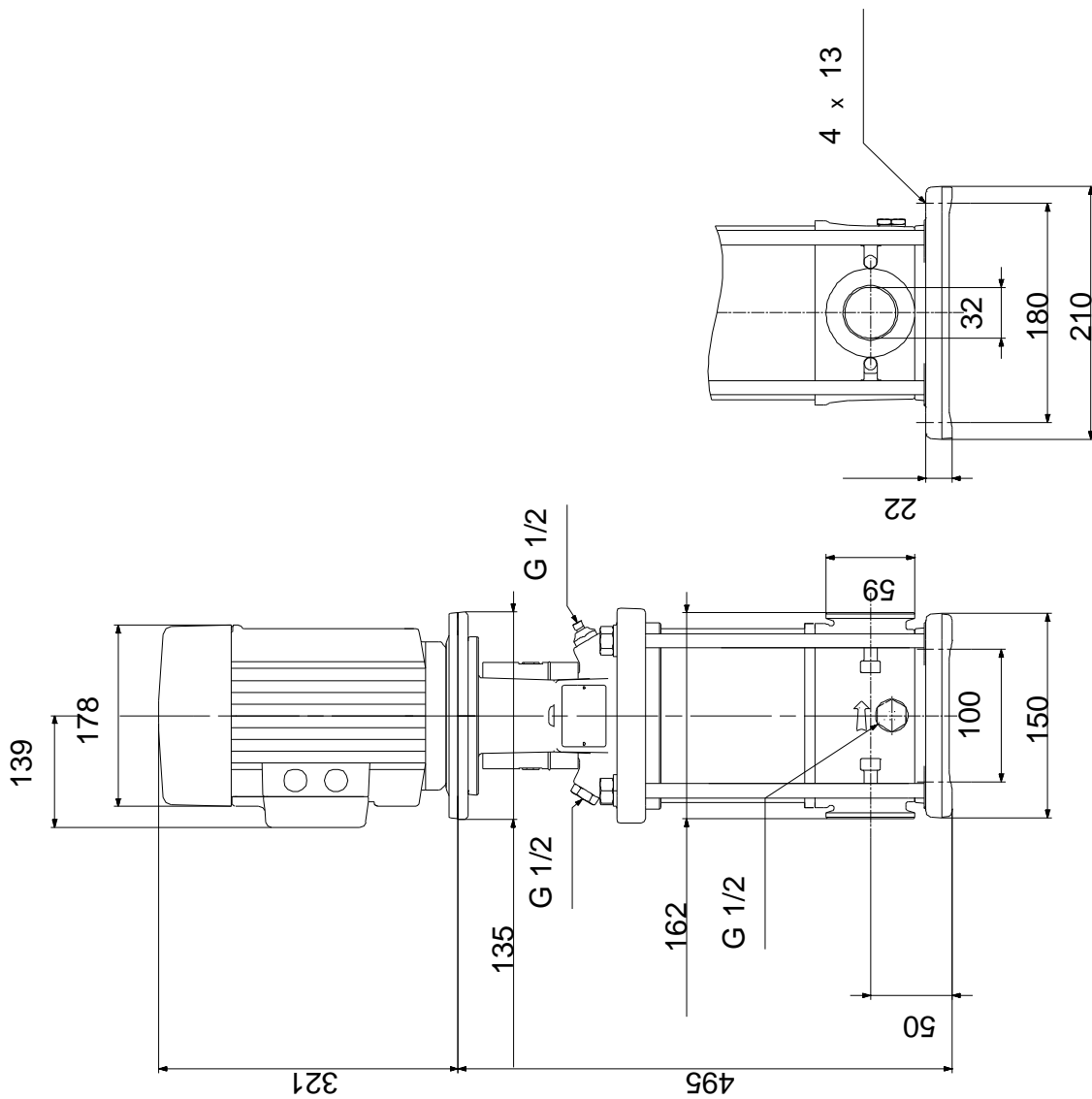
Phone:

Date:

25/09/2019

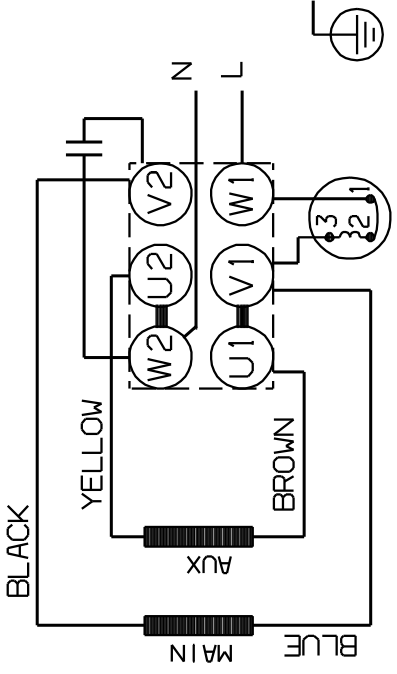
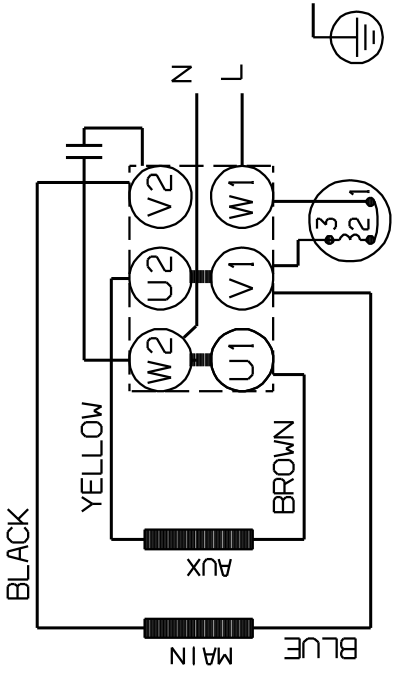
Description	Value
Cos phi - power factor:	0.98/0.99
Rated speed:	2750/2740 rpm
Motor efficiency at full load:	72-70 %
Number of poles:	2
Enclosure class (IEC 34-5):	55 Dust/Jetting
Insulation class (IEC 85):	F
Motor protec:	PTO
Motor No:	85215706
Controls:	
Frequency converter:	NONE
Others:	
Minimum efficiency index, MEI :	0.57
Net weight:	34.6 kg
Gross weight:	38.7 kg
Shipping volume:	0.092 m ³
Sales region:	GB
Country of origin:	GB
Custom tariff no.:	84137075

96533285 CRI 5-10 A-CA-A-V-HQQV 50 Hz



Note! All units are in [mm] unless others are stated.
Disclaimer: This simplified dimensional drawing does not show all details.

96533285 CRI 5-10 A-CA-A-V-HQQV 50 Hz

DIRECTION OF ROTATION	
DIRECTION OF ROTATION	
DIRECTION OF ROTATION	HIGH VOLTAGE
	LOW VOLTAGE

Note! All units are in [mm] unless others are stated.