


Qty.	Description
1	<p data-bbox="199 338 502 367"><b>CRI 5-11 A-CA-A-V-HQQV</b></p> <div data-bbox="352 376 432 629" style="text-align: center;">  </div> <p data-bbox="199 660 470 689">Product No.: <a href="#">96533286</a></p> <p data-bbox="199 719 1449 797">Vertical, multistage centrifugal pump with inlet and outlet ports on same the level (inline). Pump materials in contact with the liquid are in stainless steel. A cartridge shaft seal ensures high reliability, safe handling, and easy access and service. Power transmission is via a rigid split coupling. Pipe connection is via FlexiClamps.</p> <p data-bbox="199 835 938 864">The pump is fitted with a 1-phase, fan-cooled asynchronous motor.</p> <p data-bbox="199 866 938 896">The pump is fitted with a 1-phase, fan-cooled asynchronous motor.</p> <p data-bbox="199 925 316 954"><b>Controls:</b></p> <p data-bbox="199 956 638 985">Frequency converter: NONE</p> <p data-bbox="199 1014 288 1043"><b>Liquid:</b></p> <p data-bbox="199 1046 638 1075">Pumped liquid: Water</p> <p data-bbox="199 1077 694 1106">Liquid temperature range: -20 .. 90 °C</p> <p data-bbox="199 1108 630 1137">Selected liquid temperature: 20 °C</p> <p data-bbox="199 1140 778 1169">Density at selected liquid temperature: 998.2 kg/m<sup>3</sup></p> <p data-bbox="199 1198 327 1227"><b>Technical:</b></p> <p data-bbox="199 1229 821 1258">Pump speed on which pump data are based: 2730 rpm</p> <p data-bbox="199 1261 662 1290">Rated flow: 5.8 m<sup>3</sup>/h</p> <p data-bbox="199 1292 646 1321">Rated head: 51.3 m</p> <p data-bbox="199 1323 646 1352">Pump orientation: Vertical</p> <p data-bbox="199 1355 638 1384">Shaft seal arrangement: Single</p> <p data-bbox="199 1386 638 1415">Code for shaft seal: HQQV</p> <p data-bbox="199 1417 662 1447">Approvals on nameplate: CE, EAC</p> <p data-bbox="199 1449 762 1478">Curve tolerance: ISO9906:2012 3B</p> <p data-bbox="199 1507 327 1536"><b>Materials:</b></p> <p data-bbox="199 1538 726 1603">Base: Stainless steel EN 1.4408 AISI 316</p> <p data-bbox="199 1619 726 1684">Impeller: Stainless steel EN 1.4301 AISI 304</p> <p data-bbox="199 1700 614 1729">Bearing: SIC</p> <p data-bbox="199 1758 343 1787"><b>Installation:</b></p> <p data-bbox="199 1789 630 1818">Maximum ambient temperature: 40 °C</p> <p data-bbox="199 1821 638 1850">Maximum operating pressure: 25 bar</p> <p data-bbox="199 1852 734 1917">Max pressure at stated temp: 25 bar / 90 °C 25 bar / -20 °C</p> <p data-bbox="199 1910 694 1939">Type of connection: FlexiClamp</p> <p data-bbox="199 1942 638 1971">Size of inlet connection: DN 32</p> <p data-bbox="199 1973 638 2002">Size of outlet connection: DN 32</p> <p data-bbox="199 2004 686 2033">Pressure rating for pipe connection: PN 25</p> <p data-bbox="199 2036 638 2065">Flange size for motor: FT115</p>

Qty.	Description
------	-------------

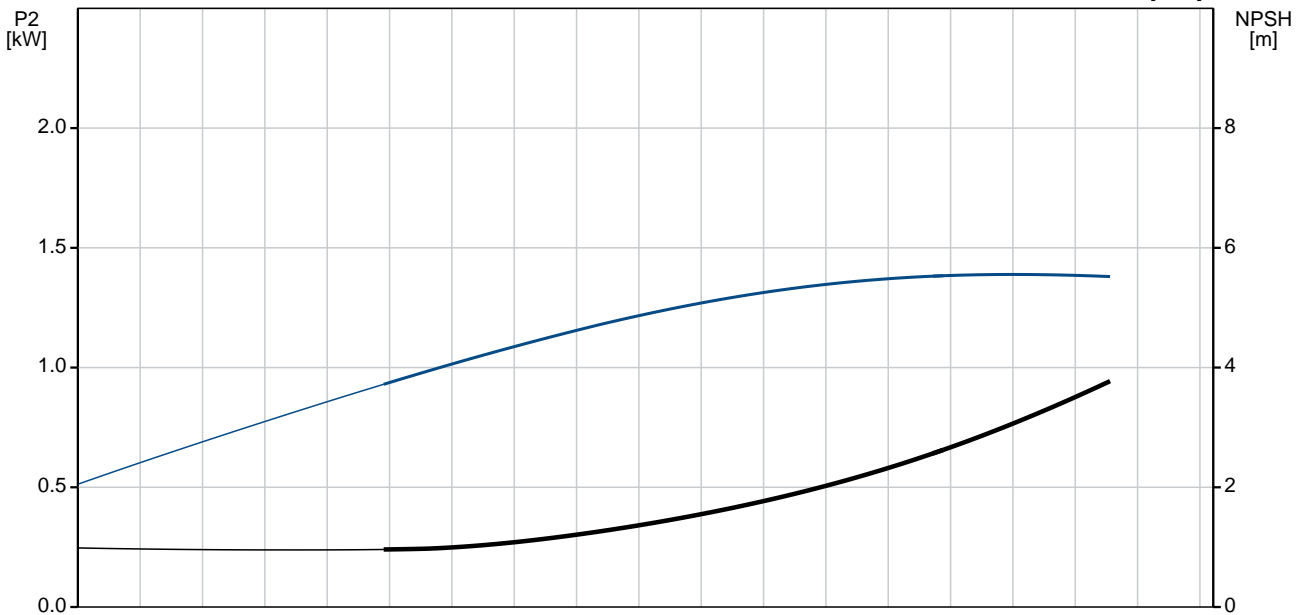
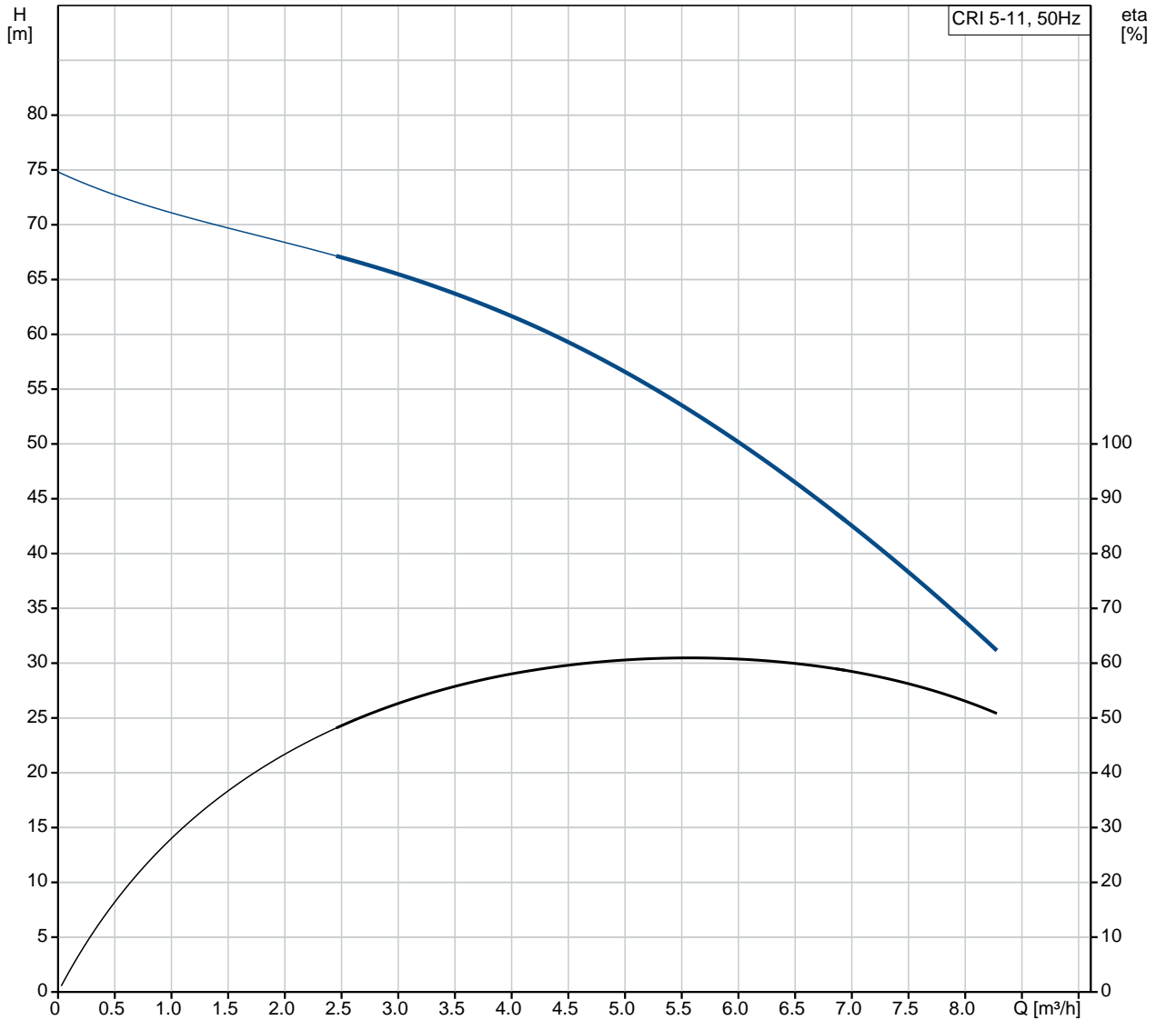
**Electrical data:**

Motor standard:	IEC
Motor type:	90LC
Rated power - P2:	2.2 kW
Power (P2) required by pump:	2.2 kW
Mains frequency:	50 Hz
Rated voltage:	1 x 220-230/240 V
Rated current:	14,0-13,6/12,6 A
Starting current:	330 %
Cos phi - power factor:	1.00
Rated speed:	2730/2720 rpm
Motor efficiency at full load:	75 %
Number of poles:	2
Enclosure class (IEC 34-5):	55 Dust/Jetting
Insulation class (IEC 85):	F
Motor No:	85215708

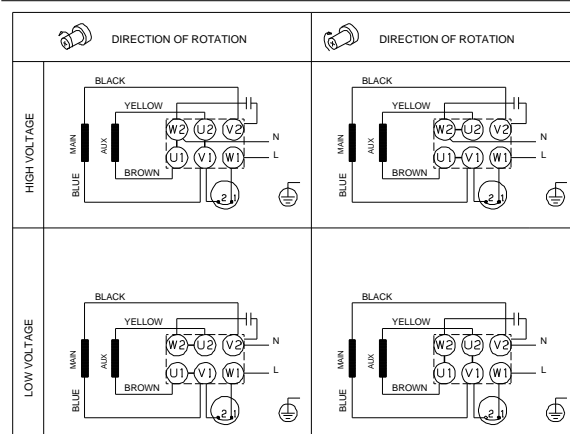
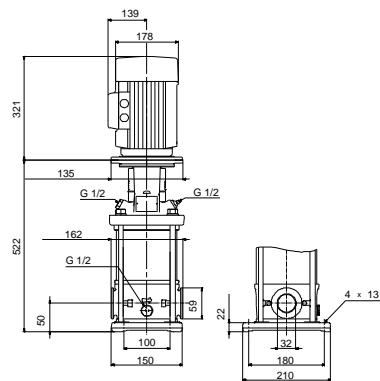
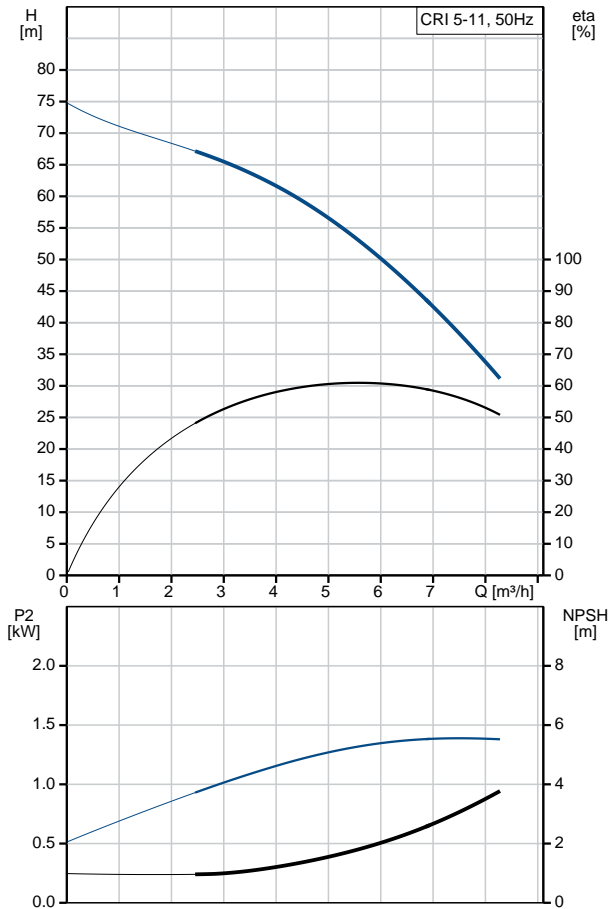
**Others:**

Minimum efficiency index, MEI :	0.57
Net weight:	39.8 kg
Gross weight:	43.9 kg
Shipping volume:	0.092 m <sup>3</sup>
Country of origin:	GB
Custom tariff no.:	84137075

## 96533286 CRI 5-11 A-CA-A-V-HQQV 50 Hz



Description	Value
<b>General information:</b>	
Product name:	CRI 5-11 A-CA-A-V-HQQV
Product No:	96533286
EAN number:	5700397442609
Price:	5700397442609
	1.479,00 GBP
<b>Technical:</b>	
Pump speed on which pump data are based:	2730 rpm
Rated flow:	5.8 m <sup>3</sup> /h
Rated head:	51.3 m
Head max:	73.4 m
Stages:	11
Impellers:	11
Number of reduced-diameter impellers:	0
Low NPSH:	N
Pump orientation:	Vertical
Shaft seal arrangement:	Single
Code for shaft seal:	HQQV
Approvals on nameplate:	CE, EAC
Curve tolerance:	ISO9906:2012 3B
Pump version:	A
Model:	A
<b>Materials:</b>	
Base:	Stainless steel EN 1.4408 AISI 316
Impeller:	Stainless steel EN 1.4301 AISI 304
Material code:	A
Code for rubber:	V
Bearing:	SIC
<b>Installation:</b>	
Maximum ambient temperature:	40 °C
Maximum operating pressure:	25 bar
Max pressure at stated temp:	25 bar / 90 °C 25 bar / -20 °C
Type of connection:	FlexiClamp
Size of inlet connection:	DN 32
Size of outlet connection:	DN 32
Pressure rating for pipe connection:	PN 25
Flange size for motor:	FT115
Connect code:	CA
<b>Liquid:</b>	
Pumped liquid:	Water
Liquid temperature range:	-20 .. 90 °C
Selected liquid temperature:	20 °C
Density at selected liquid temperature:	998.2 kg/m <sup>3</sup>
<b>Electrical data:</b>	
Motor standard:	IEC
Motor type:	90LC
Rated power - P2:	2.2 kW
Power (P2) required by pump:	2.2 kW
Mains frequency:	50 Hz
Rated voltage:	1 x 220-230/240 V
Rated current:	14,0-13,6/12,6 A
Starting current:	330 %





Company name:

Created by:

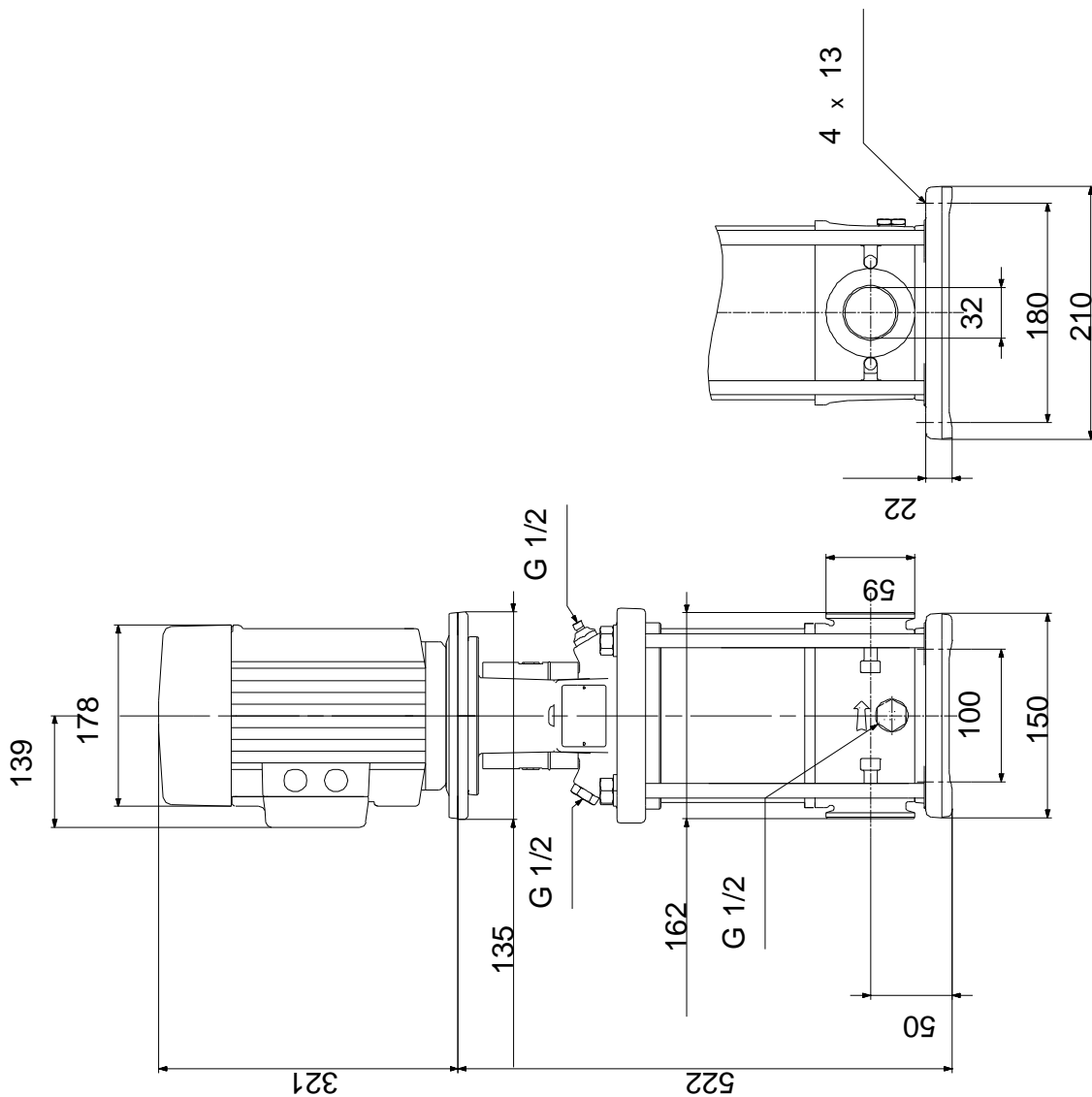
Phone:

Date:

25/09/2019

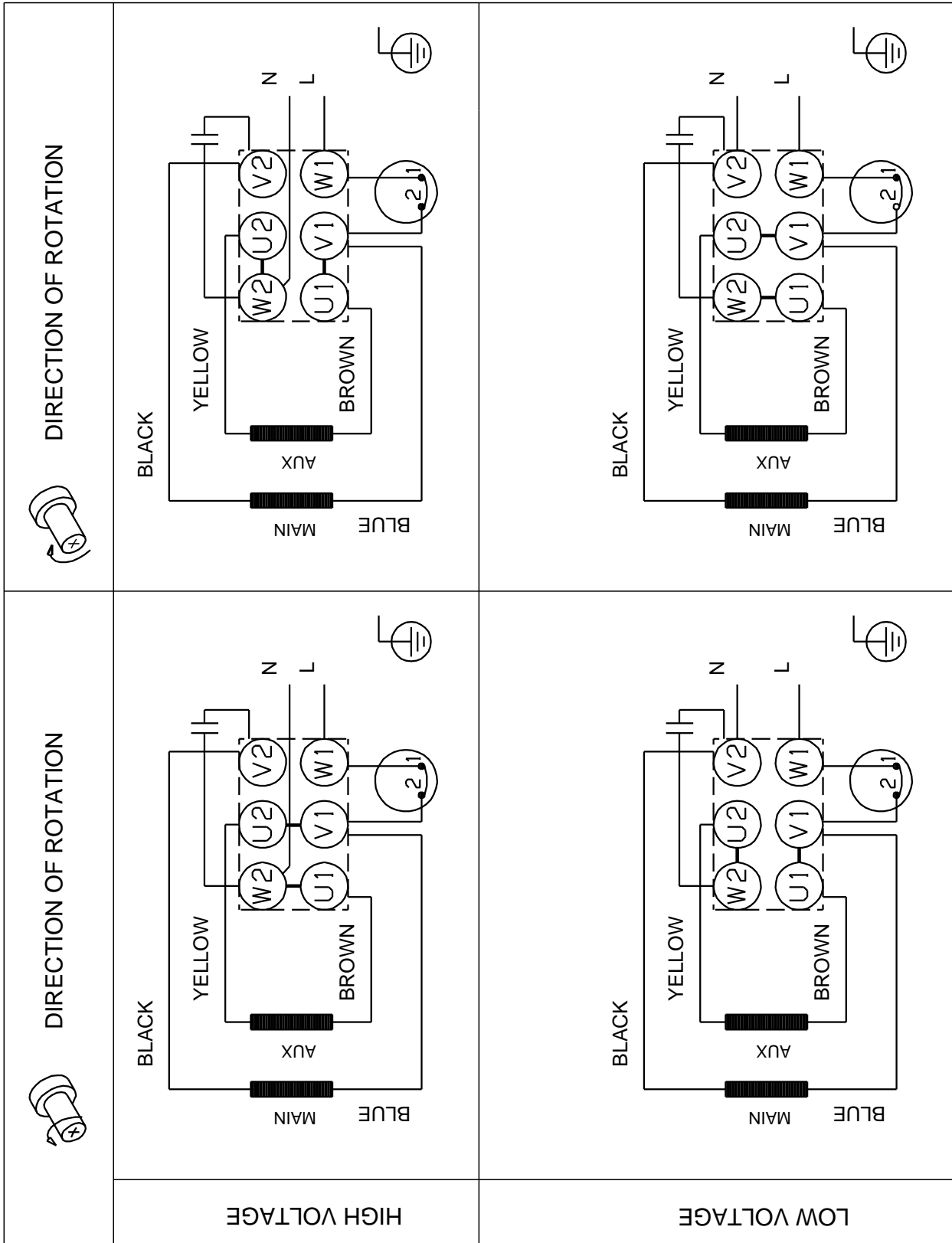
Description	Value
Cos phi - power factor:	1.00
Rated speed:	2730/2720 rpm
Motor efficiency at full load:	75 %
Number of poles:	2
Enclosure class (IEC 34-5):	55 Dust/Jetting
Insulation class (IEC 85):	F
Motor protec:	PTO
Motor No:	85215708
<b>Controls:</b>	
Frequency converter:	NONE
<b>Others:</b>	
Minimum efficiency index, MEI :	0.57
Net weight:	39.8 kg
Gross weight:	43.9 kg
Shipping volume:	0.092 m <sup>3</sup>
Sales region:	GB
Country of origin:	GB
Custom tariff no.:	84137075

## 96533286 CRI 5-11 A-CA-A-V-HQQV 50 Hz



Note! All units are in [mm] unless others are stated.  
Disclaimer: This simplified dimensional drawing does not show all details.

## 96533286 CRI 5-11 A-CA-A-V-HQQV 50 Hz



Note! All units are in [mm] unless others are stated.